

HOSHIZAKI

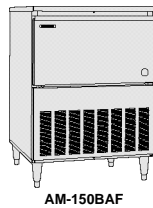
AM-150BAF
Item # 13149 603

AM-150BAF SERIES



AM-150BAF
Air-Cooled

AM-150BAF



**ICEMAKER
DIMENSION**
Width x Depth x Height
AM-150BAF
27^{11/16} x 27^{5/16} x 39^{15/32}

*With 6" Legs

- Durable stainless steel exterior
- Undercounter design is less than 34 inches tall (Excluding legs)
- Up to 150 lbs. of ice production per 24 hours
- Up to 88 lbs. of built-in storage capacity
- Easily disassembled water circuit for easy cleaning
- Front in, front out airflow
- Fewer moving parts for longer life
- Drop down door



Open cell evaporator



© HOSHIZAKI AMERICA, INC.

618 Hwy. 74 S., Peachtree City, GA30269

TEL1-800-438-6087



Reliability is a beautiful thing®

FAX 1-800-345-1325

www.hoshizaki.com

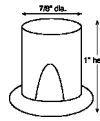
SELF-CONTAINED CUBER WITH BUILT-IN STORAGE BIN

AM-150BAF SERIES

DIMENSIONS (Inches) - CONNECTIONS

SELF-CONTAINED CUBER WITH BUILT-IN STORAGE BIN

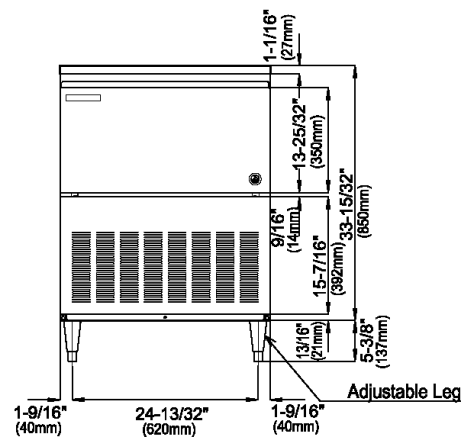
AM-150BAF (AIR-COOLED)



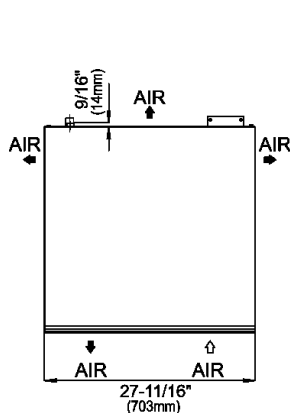
- Up to 150 lbs. of ice production per 24 hours
- Up to 88 lbs. of built-in storage capacity



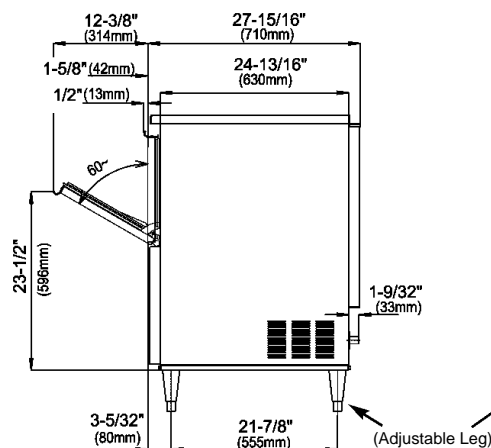
WARRANTY THREEYEAR - Parts & Labor on entire machine FIVEYEAR - Parts on compressor and condenser FIVEYEAR - Parts on evaporator		R-404A REFRIGERANT		
Warranty valid in United States, Canada, Puerto Rico, & U.S. Territories. Contact Factory for Warranty in other Countries.				
STORAGE BINS Up to 88 lb. Capacity Built-in Bin				
OPERATING LIMITS Ambient Temp Range 50 - 100°F Water Temp Range 41 - 90°F Voltage Range 104 - 127V Water Pressure 7 - 113 psig		ELECTRICAL & PLUMBING 115/60/1 15 amp Max Fuse G3/4" Water Inlet Requires 3/8" Flare Fitting (Included)		
AIR - COOLED				
Water Temp° F. - 50° Air Temp° F. - 70°		150 Lbs.		
UTILITY CONSUMPTION (Air 70F°/Water 50° F)				
Model Number	Ice Production Per Cycle Lbs. Cubes	KWH per 100 lbs.	Potable Water Gallons per 100 lbs.	Condenser Water Gallons per 100 lbs.
AM-150BAF	1.87 60	10.6	31	NA
SPECIFICATIONS				
Model Number	Condenser	Amperage	Min. Circuit Ampacity	Shipping Weight
AM-150BAF	Air-Cooled	8.8	NA	180 lbs.



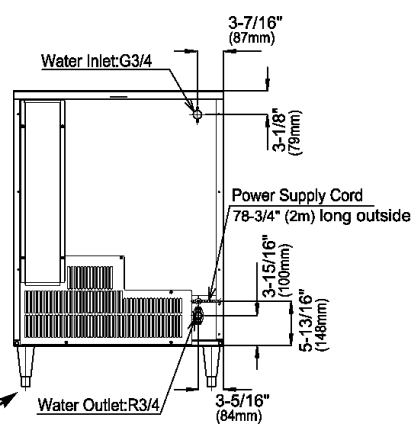
FRONT DIMENSIONS



TOP DIMENSIONS



SIDE DIMENSIONS



BACK DIMENSIONS

We reserve the right to change specifications without notice.

© **HOSHIZAKI AMERICA, INC.**

618 Hwy. 74 S., Peachtree City, GA30269

TEL1-800-438-6087

FAX 1-800-345-1325

www.hoshizaki.com

Printed in U.S.A.