



**AX-M12
12 QUART MIXER**



PROJECT _____

ITEM # _____

QUANTITY _____



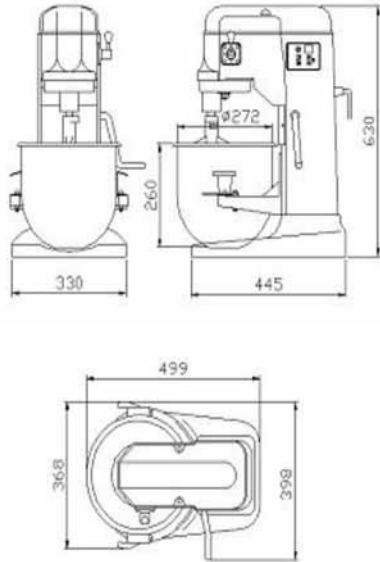
AX-M12 12 QUART MIXER

The Axis Model AX-M12 is an advanced design, highly reliable professional food processing tool, and is ideal for mixing all types of dough, as well as eggs, cream, mayonnaise, etc. These all-purpose mixers use a powerful, planetary mixing action to thoroughly blend, mix and aerate all ingredients with consistent and predictable results.

STANDARD FEATURES	STANDARD ACCESSORIES
<ul style="list-style-type: none"> ★ 0.5 HP motor ★ Reliable and dependable gear drive design ★ Digital timer (0-30 minutes) ★ 3 speeds ★ Heat-treated hardened alloy steel gears and shaft ★ Furnished with bowl guard for safety ★ Side mounted controls (Timer, separate start and emergency stop button) ★ Silent operation ★ Highest quality aluminum alloy used for maximum standards of hygiene. ★ 6 foot cord and plug 	<ul style="list-style-type: none"> ★ 12 Quart S/S bowl ★ Aluminum flat beater ★ S/S wire whip ★ Aluminum dough hook

Model	Capacity	Motor	Amps	Speeds	Electrical
AX-M12	12 Quart	3 Speeds	9	151/272/530	110v / 60hz / 1ph

TECHNICAL DRAWING



DIMENSIONS

Overall Width = 13.0" (330 mm)
Overall Depth = 19.6" (499 mm)
Overall Height = 24.8" (620 mm)

WEIGHT

NET = 77 lbs
SHIP = 100 lbs

FREIGHT CLASS = 77.5 lbs



NEMA 5-15P

SPECIFICATIONS

★ Design

Heavy duty all purpose mixers use a powerful, planetary mixing action to thoroughly blend mix and aerate all ingredients with consistent results.

★ Three Fixed speeds

Consistency, flexibility and reliability. Excellent for incorporating, blending and mixing ingredients. Provides consistent results throughout mixing.

★ Gear Transmission

Ensures consistent performance and minimum downtime under heavy loads.

★ 0.5 H.P. Motor

Meets the most demanding operations.

★ Bowl Guard

Bowl guard with interlock prevents the mixer from running if guard is opened.

★ Electronic Digital Timer

Provides accurate and consistent results while indicating the length of mixing (in minutes) on digital timer

★ Warranty

2 year parts and 1 year labor, exclusive of wear items

Due to our continued product improvement and striving for engineering excellence, specifications are subject to change without notice

MVP GROUP CORPORATION

5659 Royalmount Ave. Montreal, QC Canada H4P 2P9
 Tel: 514-737-9701 888-275-4538 Fax: 514-342-3854
 www.mvpgroupcorp.com / sales@mvpgroupcorp.com