



BEVERAGE-AIR®

Project: _____	AIA#
Item: _____	
Location: _____	SIS#
Approved: _____	

COUNTERTOP BLAST CHILLER

CF031AG Self-Contained Blast Chiller/Freezer

MODEL:
CF031AG

CF031AG COUNTERTOP CHILL MINI BLAST CHILLER/FREEZER



**3 Year Parts/Labor Warranty
Additional 2 Year Compressor Warranty**

CABINET CONSTRUCTION

- Stainless steel exterior and interior
- Slot-in type shelf supports made of stainless steel
- Cabinet features a core temperature probe to insert in the food to measure the blast chilling and freezing temperature
- Manual defrost
- Ergonomic handle and magnetic perimetral seal
- Self-closing door with still position at 100°
- Unit comes standard with three (3) wire rod tray slides
- Shelf supports are adjustable in 1 1/2" to 3" centers
- Stainless steel wire rack structure, which provides excellent air circulation, minimizing the time required to blast chill the food
- Oven to chiller capable

REFRIGERATION SYSTEM

- Self-contained refrigeration system uses R404 refrigerant to comply with all environmental concerns
- Evaporator with high ventilation ensures that the cooling system works with unbeatable efficiency
- Manual defrost device works based on condensation evaporation system that does not require power
- Blast chilling (194°F to 37°F in 90 minutes) or shock freezing (194°F to 0°F in 240 minutes) cycles



Please verify qualifying units by visiting:
www.energystar.gov/cfs

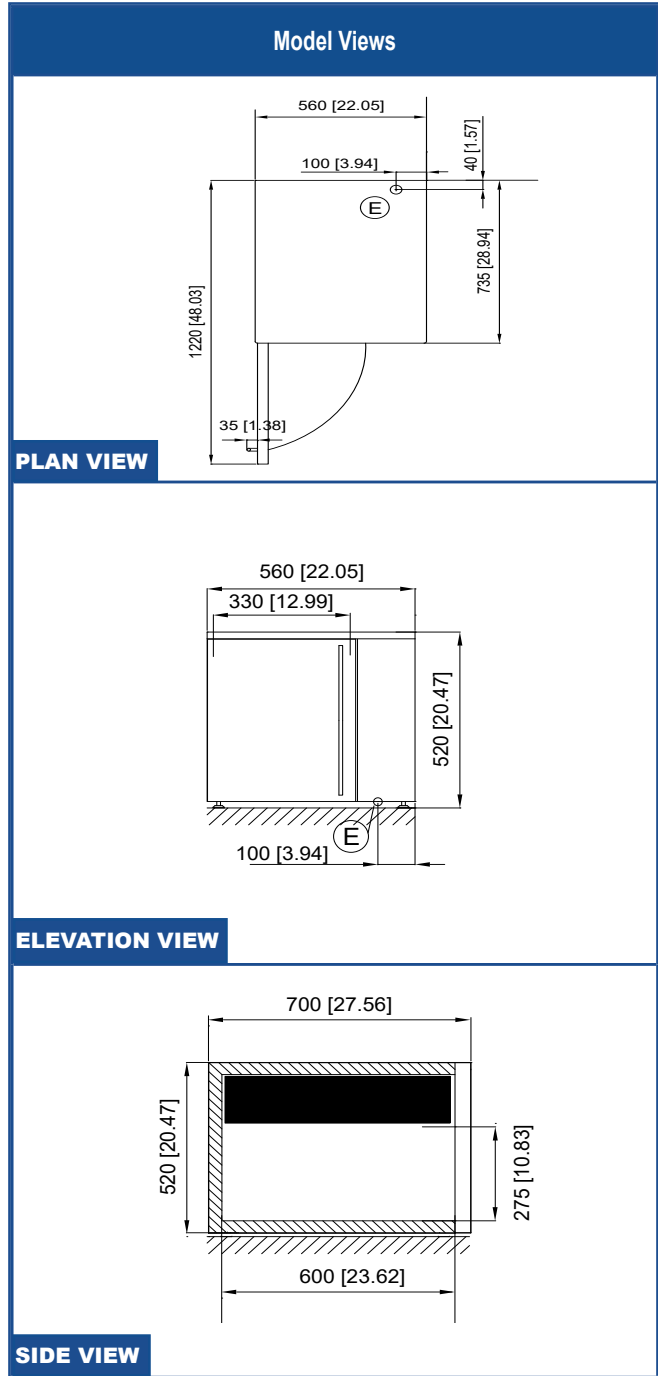
3779 Champion Blvd., Winston-Salem, NC 27105
1-888-845-9800 Fax: 1-336-245-6453
Beverage-Air.com Sales@bevair.com



BEVERAGE-AIR

MODEL	CF031AG
EXTERNAL DIMENSIONAL DATA	
Width Overall (in)	22.05"
Depth Overall (in)	28.94"
Height Overall (in)	20.47"
Number of Doors	1
Width, Door Opening (in)	48.03"
PERFORMANCE DATA	
Sheet Pan Capacity (12" x 20") (pans not included)	3
Chilling Capacity In 90 Min	17.6 lbs
Freezing Capacity In 240 Min	11 lbs
Climate Class	4
ELECTRICAL DATA	
Cabinet Voltage	115/120/60/1
Total Amperes	9.9
NEMA Plug	5-15P
REFRIGERATION DATA	
Condensing Unit Size, HP	1/2
Refrigerant	R404
Capacity (BTU/Hr) (113°F/-13°F)	1,571
Heat Rejection (W) (14°F/95°F)	1,618
Refrigerant Amount (lbs)	1.1
WEIGHT DATA	
Gross Weight - Crated	117 lbs
Height - Crated	25"
Width - Crated	28"
Depth - Crated	33"

Countertop Self-Contained Blast Chiller/Freezer Model: CF031AG



ELECTRICAL CONNECTION



115/60/1
NEMA-5-15P

Unit pre-wired at factory and include 8' long cord and plug set.



an Ali Group Company



The Spirit of Excellence

3779 Champion Blvd., Winston-Salem, NC 27105
1-888-845-9800 Fax: 1-336-245-6453
Beverage-Air.com Sales@bevair.com