



BLUE AIR™
COMMERCIAL REFRIGERATION

SINKS & WORK TABLES

All in stock for immediate delivery!

ALL 304 Stainless Steel
construction bowls & top assembly

Physical Inventory Worksheet All Transactions

3 Compartment(18"×18")	2 Drain Boards
	No Drain Board
	Left Drain Board
	Right Drain Board
3 Compartment(24"×24")	2 Drain Boards
	Left Drain Board
	Right Drain Board
2 Compartment(18"×18")	2 Drain Boards
	Left Drain Board
	Right Drain Board
1 Compartment(18"×18")	No Drain Board
	Left Drain Board
	Right Drain Board
1 Compartment(24"×24")	No Drain Board
Mop Sink(18"×18")	
Hand Sink	



WORK TABLE

- 18 gauge, type 304 stainless steel top
- Galvanized adjustable under shelf

Available Sizes

24"×24"	30"×30"
24"×30"	30"×36"
24"×36"	30"×48"
24"×48"	30"×60"
24"×60"	30"×72"
24"×72"	30"×96"
24"×96"	



18"×18"
PREP SINK



18"×18"
MOP SINK



1 COMP SINK W/18"
LT OR RT DRAIN BOARD



3COMP SINK W/2
DRAIN BOARDS

HAND SINK

- Splash mounted faucet
- Basket drain
- Wall bracket
- Overall size : 17"×15"
- Bowl size: 14"×10"×5½"



Find more at www.BLUEAIRinc.com

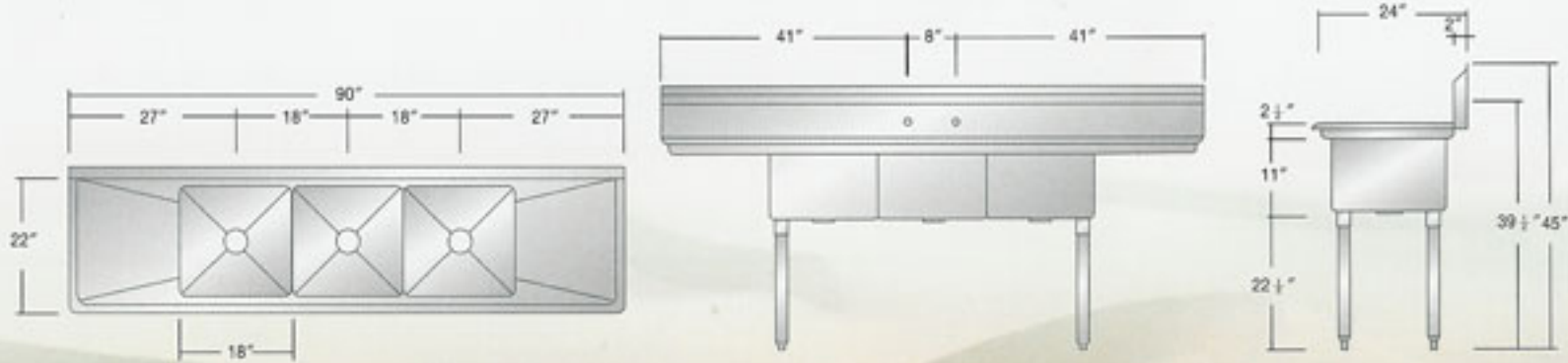
15001 S. Broadway, Gardena, CA 90248 USA

Tel : 310-808-0102 · 1-866-677-8500 Fax : 310-808-0242/0262

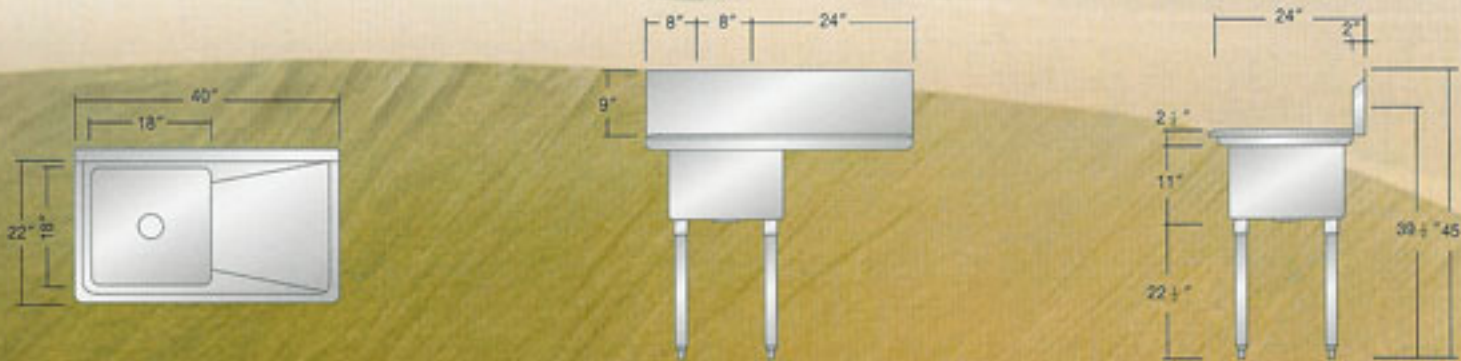
NSF

SPECIFICATIONS

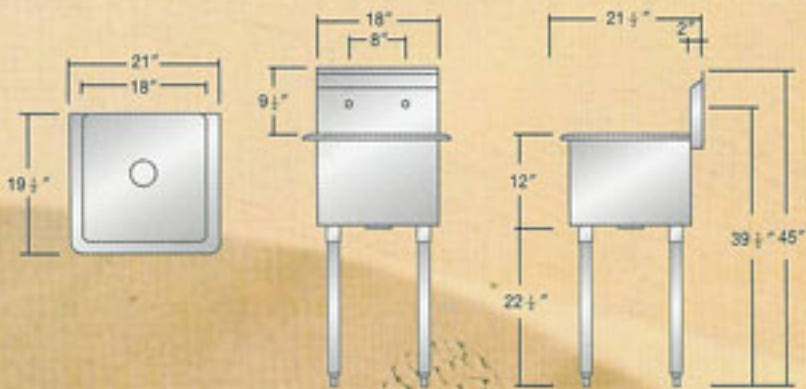
3 Compartment Sink



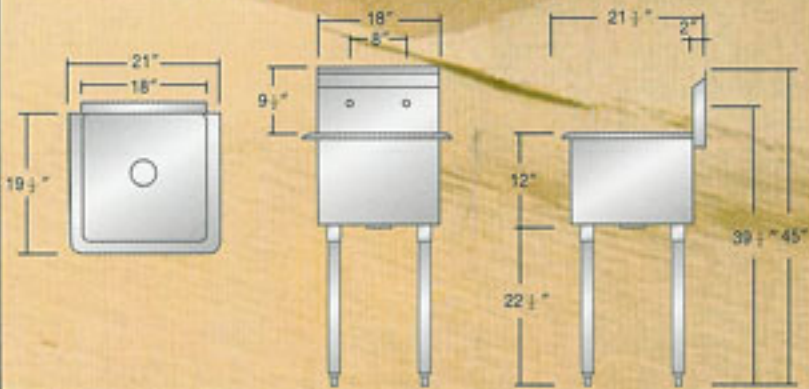
1 Compartment Sink W/18" Drainboard



* Prep Sink *



Mop Sink



Hand Sink (including drain basket & faucet)



*Specifications subject to change without notice



BLUE AIR™
COMMERCIAL REFRIGERATION

15001 S. Broadway, Gardena, CA 90248 USA
Tel: 310-808-0102 · 1-866-677-8500 / Fax: 310-808-0242, 0262
www.BLUEAIRinc.com

