

Foodservice Equipment • Material Handling, Healthcare & Cleanroom Equipment • Retail Display

Hardwood Worktables

"Bakers' Tables"



covered backplash & end splash with tubular base



flat top table with tubular base



covered backplash & end splash with undershelf



flat top table with undershelf

Item #:	_____
Model #:	_____
Project #:	_____
SIS #:	_____

Optional Accessories	Model #	Qty.
Drawer		
Lock		
Stainless steel bullet feet		
Casters		
Overshelf		
Spice bins		



- Available with a flat top with 4" (102mm) covered splashes on back and ends.
- Available in 24" or 30" (610 or 762mm) widths.
- Available lengths range from 48" to 96" (1219 to 2438mm).
- Wide selection of styles.
- Full range of options and accessories.
- Easy assembly.
- Unsurpassed strength and performance.
- 1¾" (44mm)-thick hardwood.

Spec sheets available for viewing, printing or downloading from our online literature library at www.eaglegrp.com



Profit from the Eagle Advantage®

Foodservice Division: (800) 441-8440
 MHC/Retail Display Divisions: (800) 637-5100
 FAX: (302) 653-2065

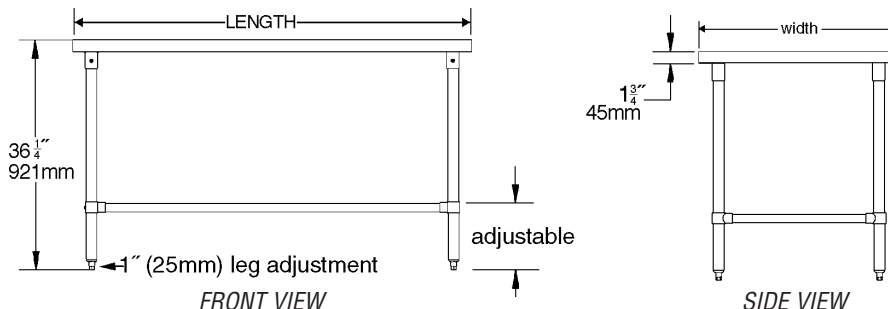
For custom configuration or fabrication needs, contact our **SpecFAB Division**.
 Phone: (302) 653-3000. FAX: (302) 653-3091.
 E-mail: specfab@eaglegrp.com

Hardwood Worktables

- 1½" (42mm) diameter legs are 16 gauge.
- Available in lengths of 48"* , 60", 72", and 96" (1219,1524, 1829, and 2438mm).
- 1" (25mm) adjustable hi-impact plastic feet.
- Stainless steel gussets.

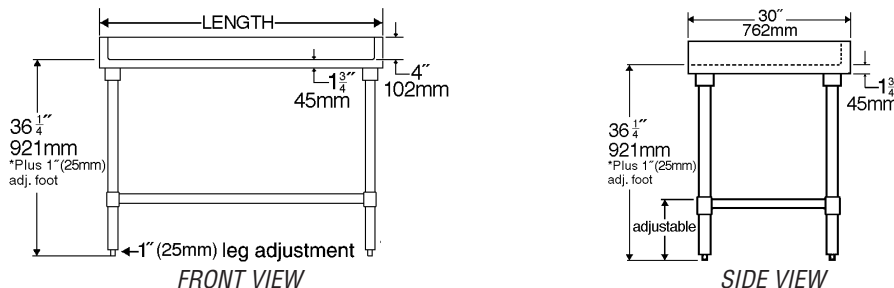
* 48" (1219mm) length available only on models with flat top.

Flat Top Hardwood Worktables...



width x length in. mm		weight lbs. kg		galvanized legs & adj. undershelf model	type 304 s/s legs & type 430 adj. undershelf model #	weight lbs. kg		galvanized tubular base model #	type 304 s/s tubular base model #
24" x 48"	610 x 1219	94	42.6	MT2448B	MT2448S	92	41.7	MT2448GT	MT2448ST
24" x 60"	610 x 1524	118	53.5	MT2460B	MT2460S	117	53.1	MT2460GT	MT2460ST
24" x 72"	610 x 1829	141	64.0	MT2472B	MT2472S	138	62.6	MT2472GT	MT2472ST
24" x 96"	610 x 2438	189	85.7	MT2496B	MT2496S	182	82.6	MT2496GT	MT2496ST
30" x 48"	762 x 1219	141	64.0	MT3048B	MT3048S	139	63.1	MT3048GT	MT3048ST
30" x 60"	762 x 1524	147	66.7	MT3060B	MT3060S	145	65.8	MT3060GT	MT3060ST
30" x 72"	762 x 1829	177	80.3	MT3072B	MT3072S	174	77.8	MT3072GT	MT3072ST
30" x 96"	762 x 2438	235	106.6	MT3096B	MT3096S	230	104.3	MT3096GT	MT3096ST

Hardwood Worktables with Backsplash & End Splashes...



width x length in. mm		weight lbs. kg		galvanized legs & adj. undershelf model	type 304 s/s legs & type 430 adj. undershelf model #	weight lbs. kg		galvanized tubular base model #	type 304 s/s tubular base model #
30" x 60"	762 x 1524	149	67.6	MT3060B-BS	MT3060S-BS	147	66.7	MT3060GT-BS	MT3060ST-BS
30" x 72"	762 x 1829	180	81.6	MT3072B-BS	MT3072S-BS	177	80.3	MT3072GT-BS	MT3072ST-BS
30" x 96"	762 x 2438	240	108.9	MT3096B-BS	MT3096S-BS	235	106.6	MT3096GT-BS	MT3096ST-BS

Optional Casters For Hardwood Worktables

description	Zinc with Resilient Tread			Zinc with Rubber Tread			Polymer Cart Washable with Polymer Tread		
	wt. cap. lbs.	wt. cap. kg	model #	wt. cap. lbs.	wt. cap. kg	model #	wt. cap. lbs.	wt. cap. kg	model #
4" (102mm)-dia., set of 4 (2 swivel, 2 w/brake)	115	52.2	CA4-SB	n/a	n/a	n/a	n/a	n/a	n/a
4" (102mm)-dia., set of 6 (3 swivel, 3 w/brake)	115	52.2	CA6-SB	n/a	n/a	n/a	n/a	n/a	n/a
5" (127mm)-dia., set of 4 (2 swivel, 2 w/brake)	200	90.7	CAH4-SB	250	90.7	CAHP4-SB	250	90.7	CAHW4-SB
5" (127mm)-dia., set of 6 (3 swivel, 3 w/brake)	200	90.7	CAH6-SB	250	90.7	CAHP6-SB	250	90.7	CAHW6-SB