



# Convenience Store Table

EASYMOD™ Creations



### Features:

- 96" Cabinet Base Work Table
- Hinged Doors
- (6) Cup Dispensers
- 3 Grommet Holes on Top
- Legs Adjust 1" in Height
- 5" Riser

### Material:

- T-304 14 ga. Stainless Steel Top
- T-304 18 ga. Stainless Steel Body
- Stainless Steel Legs & Feet

### Options:

- Casters
- Adjustable Shelf

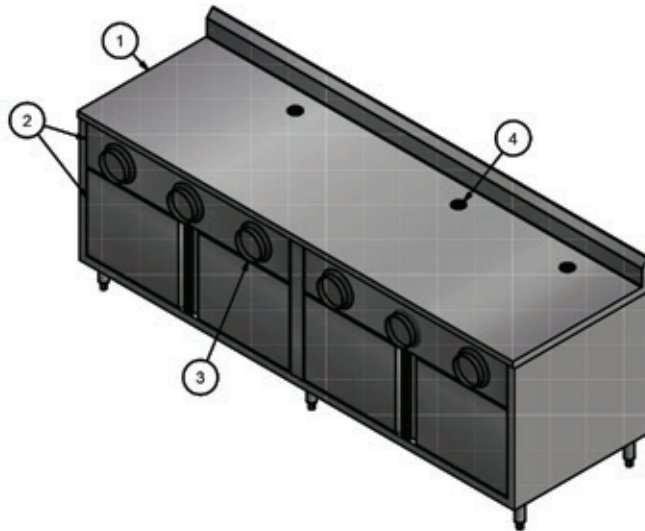


### Part List

Item	Item #	Qty	Description
1	BKDCR5-3096	1	30" x 96" Cabinet Base Work Table w/ 5" Riser
2	EM-14G	2	Parts & Install of Fascia & Hinged Doors for 96" Cabinet
3	EM-26	6	Parts & Install of Cup Dispenser
4	EM-19	3	Parts & Install of 2" Grommet

### Easy Mod Creations:

- Use these MOD's as a starting point or idea creator for your own creation
- Add or remove Easy Mods to design a convenience store table that suits your needs
- See part list for how this was made



Part Number	Unit Size (l x w x h)
MOD-BEVT	30" x 96" x 39.75"

