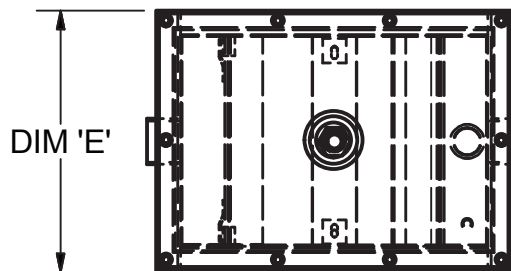
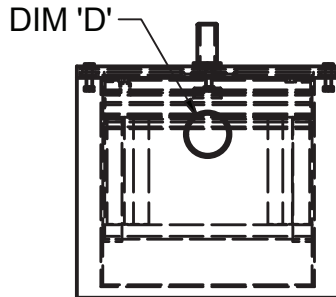
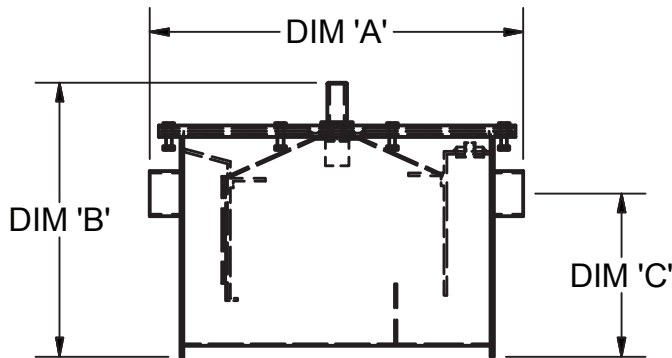




Use your smart phone to scan the above QR code to visit our website: www.bk-resources.com

# Steel Grease Interceptor

Model: BK-SGI



### Product Specifications:

- Semiautomatic Drawoff Grease Interceptor
- Epoxy Coated Steel
- Drawoff Hose
- Shut-off Valve

### Features:

- Routine Maintenance & Cleaning Made Easy
- Drawoff Hose eliminates need to remove lid for servicing unit

### Product Detail:

Model #	DIM. A	DIM. B	DIM. C	DIM. D	DIM. E
BK-SGI-8	17.72"	13.98"	7.5	2	10.83
BK-SGI-14	20.08"	14.37"	8.125	2	13.78
BK-SGI-20	23.62"	15.16"	8	2	14.76
BK-SGI-30	24.02"	16.73"	10.375	2	15.75
BK-SGI-40	26.38"	17.52"	11.5	3	16.34
BK-SGI-50	27.95"	19.09"	12	3	17.52
BK-SGI-70	31.89"	21.65"	14	3	18.90
BK-SGI-100	33.86"	24.41"	16.25	4	23.03

PRODUCT SPECIFICATION SHEET

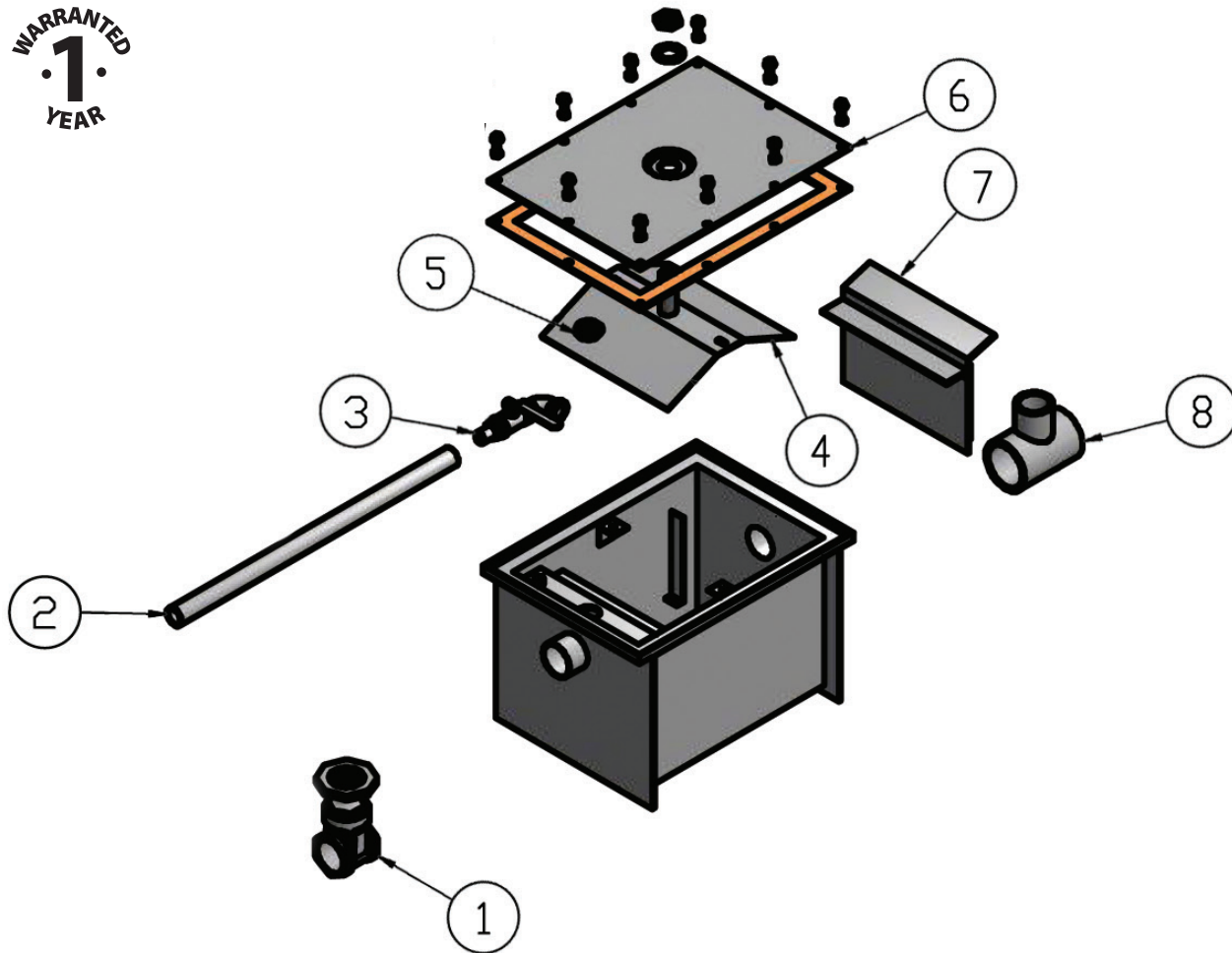
RESOURCES





# Steel Grease Interceptor

Model: BK-SGI



### Exploded Parts Detail:

Diagram #	Quantity	Part Number	Description
1	1	BK-SGI-BV*	Shut Off Valve
2	1	BK-SGI-Tube	Drain Hose
3	2	BKG-BV75	Shut Off w/ Elbow & Nozzle
4	2	BK-SGI-VP*	Vent Plate
5	2	BK-SGI-Plug	Plug
6	2	BK-SGI-Lid*	Lid
7	1	BK-SGI-Baffle*	Baffle Plate
8	1	BK-GT-T*	Flow Control T

\*Represents last number in model of unit. See Part Number Options for examples.

### Part Number Options:

#### \*Shut Off Valves

BK-SGI-BV-8, BK-SGI-BV-14, BK-SGI-BV-20, BK-SGI-BV-30, BK-SGI-BV-40, BK-SGI-BV-50, BK-SGI-BV-70, BK-SGI-BV-100

#### \*Vent Plates

BK-SGI-VP-8, BK-SGI-VP-14, BK-SGI-VP-20, BK-SGI-VP-30, BK-SGI-VP-40, BK-SGI-VP-50, BK-SGI-VP-70, BK-SGI-VP-100

#### \*Lids

BK-SGI-Lid-8, BK-SGI-Lid-14, BK-SGI-Lid-20, BK-SGI-Lid-30, BK-SGI-Lid-40, BK-SGI-Lid-50, BK-SGI-Lid-70, BK-SGI-Lid-100

#### \*Baffle Plate

BK-SGI-Baffle-8, BK-SGI-Baffle-14, BK-SGI-Baffle-20, BK-SGI-Baffle-30, BK-SGI-Baffle-40, BK-SGI-Baffle-50, BK-SGI-Baffle-70, BK-SGI-Baffle-100

#### \*Flow Control T

BK-GT-T-8, BK-GT-T-14, BK-GT-T-20, BK-GT-T-30, BK-GT-T-40, BK-GT-T-50, BK-GT-T-70, BK-GT-T-100

PRODUCT SPECIFICATION SHEET

RESOURCES

