



Cabinet Base Work Tables

Stainless Steel Cabinet Base Tables



Use your smart phone to scan the above QR code to visit our website:
www.bk-resources.com

Certifications:



Features:

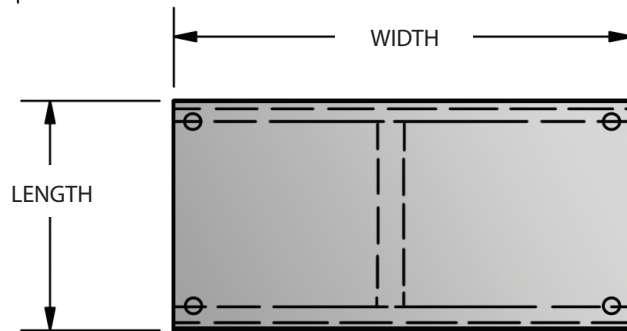
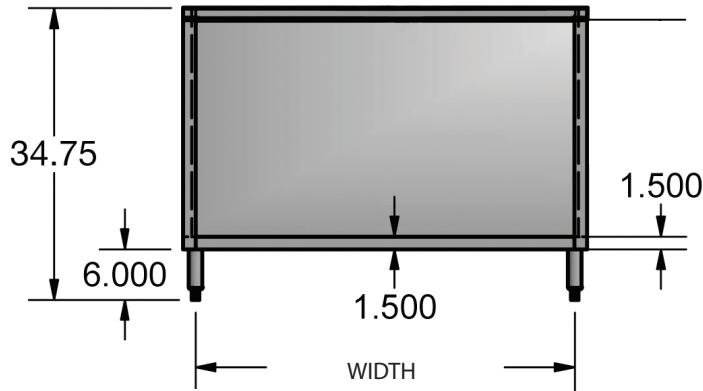
- 1 5/8" x 6" Straight S/S Leg
- Legs Adjust 1" in Height
- Extra Supporting "C" Channel for top & bottom shelf consists of 2 Channels running left to right and 1 channel running front to back

Material:

- T-304 18 ga. Stainless Steel
- Stainless Steel Legs & Feet



Length	24" Width WITHOUT Sliding Doors	30" Width WITHOUT Sliding Doors
48"	BKDC-2448	BKDC-3048
60"	BKDC-2460	BKDC-3060
72"	BKDC-2472	BKDC-3072



PRODUCT DATA SHEET

BK RESOURCES

