

MODEL: _____ PROJECT: _____ ITEM #: _____ QTY: _____

PRODUCT IMAGE



BR48L-BSB-LR SHOWN with
OPTIONAL 1" TOP and KICK PLATES
AVAILABLE IN 48", 72", & 96" SIZES

STANDARD FEATURES

- Electrical**
 115 V, 60 Hz. Furnished with a terminal block inside the box for a hard wire connection (supplied by the end user)
 Dedicated 15 Amp circuit recommended.
 2 Door Model: 1.0 Full Load Amp
 3 Door Model: 1.5 Full Load Amp
 4 Door Model: 2.0 Full Load Amp

- Refrigeration**
 134A expansion valve installed (standard). Optional 404 expansion valve available. Thermostat not included.
IMPORTANT: Specify left or right side hook-up

- Operating Range**
 30°F-40°F

Case Capacity	48"	72"	96"
Long Neck Bottles:	11.5	20	30
12 oz. Cans:	20	34	40
Wine Bottles (each):	106	170	300

- Interior**
 20 gauge stainless steel.
 Two adjustable epoxy coated shelves with floor rack
 Door Opening: 29 11/16" high x 19 15/16" wide

- Exterior**
 Sides: 20 gauge stainless steel or black vinyl
 Front: 20 gauge stainless steel, black vinyl or glass
 Back: 20 gauge galvanized steel
 Top: 20 gauge galvanized steel with option of stainless steel

- Insulation**
 Foamed-in-place polyurethane

- Plumbing**
 1/2" drain connection required for condensation. Drain line connection will be on the same side as the refrigeration line location selected. A 100 V Condensate Evaporator pan may be used in place of a drain line but it is important to make sure you have a good location for it. Please consult with your refrigeration installation company and check local codes.

** This equipment is intended for the storage and display of non-potentially-hazardous bottle or canned products only **

OPTIONAL ACCESSORIES

- BS-100** Four 6" Stainless Steel Legs
- BS-101** Six 6" Stainless Steel Legs
- BS-102** Four 4" Stainless Steel Legs
- BS-103** Six 4" Stainless Steel Legs
- BS-106** Left Side Stainless Steel Kick Plate
- BS-107** Right Side Stainless Steel Kick Plate
- BS-108** Four 3" Casters with brakes
- BS-109** Six 3" Casters with brakes
- BS-148** 48" Stainless Steel Front Kick Plate
- BS-172** 72" Stainless Steel Front Kick Plate
- BS-196** 96" Stainless Steel Front Kick Plate
- BS-500** 1/3 HP Remote Condensing Unit (134A)



APPROVED BY:

Due to our commitment to continued product improvement, specifications are subject to change without notice.

CERTIFICATIONS:

Printed in the USA

Krowne Metal Corporation

100 Haul Rd. Wayne, NJ 07470 • Toll Free: (800) 631-0442 • Fax: (973) 872-1129
 sales@krowne.com • www.krowne.com • www.facebook.com/KrowneMetal • www.twitter.com/KrowneMetal

A City Discount

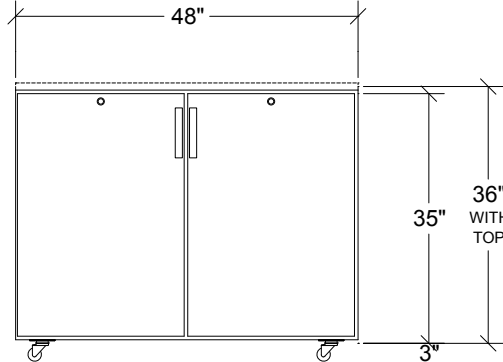
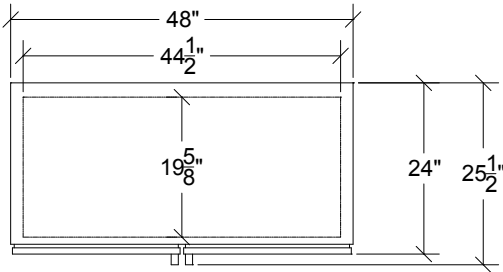
Rev. 4/2013
 No. 1.4

REFRIGERATION

REMOTE BACK BAR COOLERS

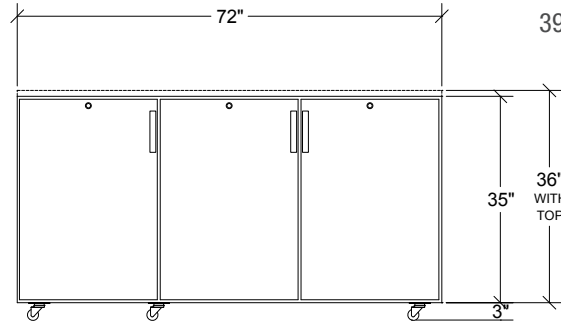
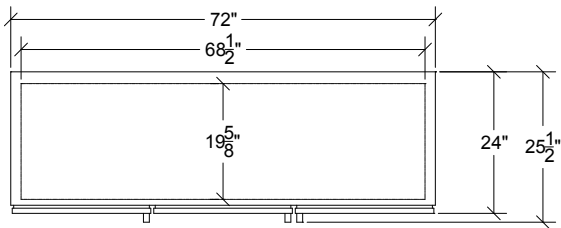
MODEL: _____ PROJECT: _____ ITEM #: _____ QTY: _____

TWO DOOR (48")



280 lbs. (300 lbs. with Top)

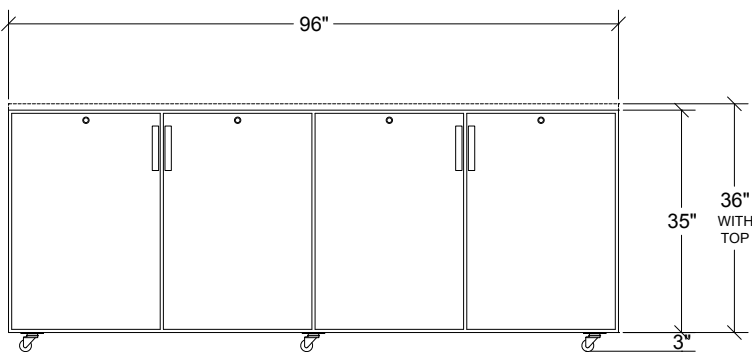
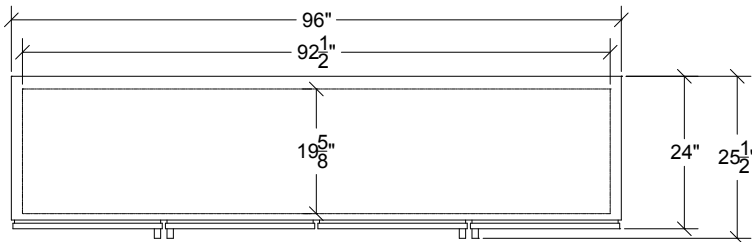
THREE DOOR (72")



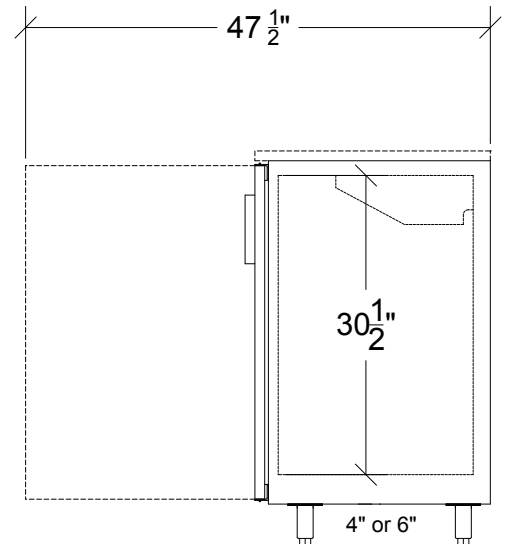
395 lbs. (420 lbs. with Top)

FOUR DOOR (96")

445 lbs. (500 lbs. with Top)



SIDE VIEW - ALL MODELS



APPROVED BY:

CERTIFICATIONS:

Due to our commitment to continued product improvement, specifications are subject to change without notice.