



# Corner Cabinet Base Work Tables With Drop-In Sink & Hinged Doors/Locks

*EASYMOD™ Creations*

### Features:

- Corner design allows for a custom look
- 1 5/8" x 6" Straight S/S Leg
- Legs Adjust 1" in Height
- Truck Line Only

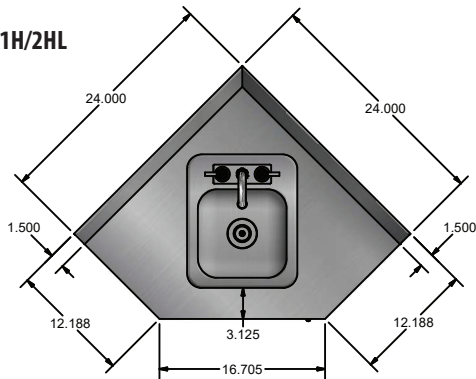
### Material:

- T-304 14 ga. Stainless Steel Top
- T-304 18 ga. Stainless Steel Body
- Stainless Steel Legs & Feet
- Choose between hinged doors, or hinged doors & lock

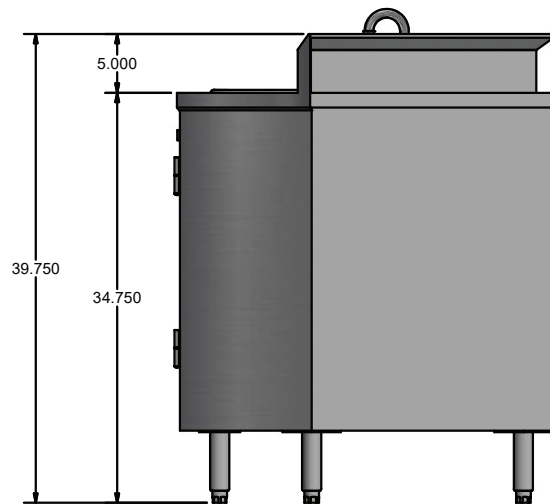
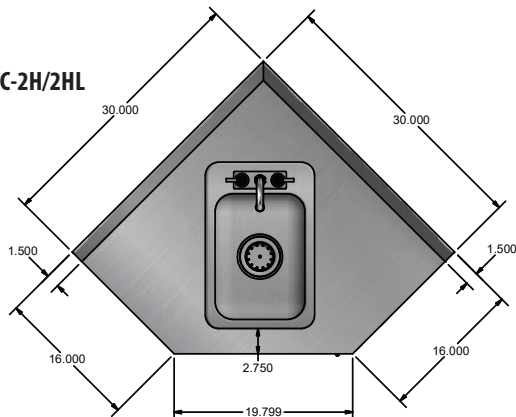


Size	Hinged Doors	Hinged Doors & Lock	Included Drop-In Sink
24" x 24"	MOD-CC-1H	MOD-CC-1HL	DDI-0909524-P-G
30" x 30"	MOD-CC-2H	MOD-CC-2HL	BK-DIS-1014-10-P-G

MOD-CC-1H/2HL



MOD-CC-2H/2HL



PRODUCT DATA SHEET

BK RESOURCES

