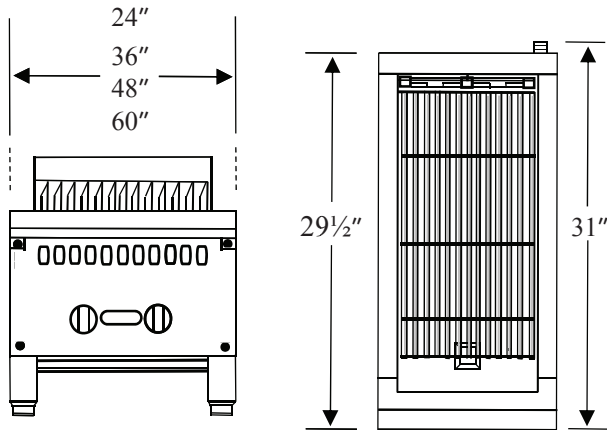


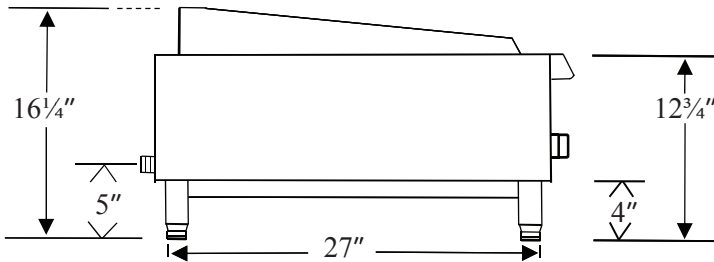


BROILERS

Radiant Style CCHRB Series
24", 36", 48" & 60" widths



Model CCHRB60



Standard Features, Benefits & Options

CONSTRUCTION: 24", 36", 48" & 60" wide models available. Easy cleaning, corrosion resistant stainless steel finish. Double wall construction, insulated for energy efficiency. 3 1/4" bull-nose landing. 4" tall adjustable legs. 3 1/2" grease trough. Stainless steel drip tray.

CONTROLS: 3/4" rear gas connection, brass gas valves, front accessible automatic standing pilots, pressure regulators and cool to the touch control knobs.

BURNERS: Straight cast iron burners each rated at 20,000 BTU's, 1 burner per 6" increment. Under burner deflector separating pan grease from burner flame.

BROILER: Heavy 5.5" wide cast iron tilt-able top grates. Top grates lay flat or at an angle. Cast iron radiants cover the burners.

TESTING: Optimal pressure is 4" WC for natural gas, 10" WC for propane. ETL design & ETL Sanitation (ANSI-NSF4) certified.

| Model # | Packing inches ----- millimeters | Burners ----- Total BTU | Net Wgt. lbs. / kg. | Gross Wgt. lbs. / kg. |
|---------|---|-------------------------------|---------------------------|-----------------------------|
| CCHRB24 | 35 x 35 x 21 89 x 89 x 53 | 4 80,000 | 187 / 85 | 247 / 112 |
| CCHRB36 | 42 x 35 x 21 107 x 89 x 53 | 6 120,000 | 287 / 130 | 348 / 158 |
| CCHRB48 | 53 x 35 x 21 134 x 89 x 53 | 8 160,000 | 368 / 167 | 434 / 197 |
| CCHRB60 | 65 x 35 x 21 164 x 89 x 53 | 10 200,000 | 463 / 210 | 545 / 247 |



Comstock-Castle Stove Co. • 119 W. Washington St. • Quincy, IL. 62301
Tel.: 217-223-5070 • Fax.: 217-223-0007 • Web: www.castlestove.com

