

Tortilla Chip Warmers



**Model
CC-TCW-26**



Model CC-TCW-46



WARNING: This product can expose you to certain chemicals, which are known to the State of California to cause cancer or birth defects or other reproductive harm. For more information go to: www.P65Warnings.com



Standard Features, Benefits & Options

CONSTRUCTION: Easy cleaning, corrosion resistant stainless steel construction. Heavy insulation for efficiency. 4" adjustable legs for leveling. Interior baffles to reduce chip breakage. Front panel & bottom baffle are removeable for easy interior cleaning. Doors open wide on top for easy filling and drop down in front for quick chip scooping.

CONTROLS: 90° - 190°F adjustable thermostat control combined with an efficient fan for even heat distribution to keep chips warm & fresh. Easy viewing illuminated on-off switch. NEMA 5-15 plug with 6' cord.

TESTING: ETL design & NSF Sanitation certified.

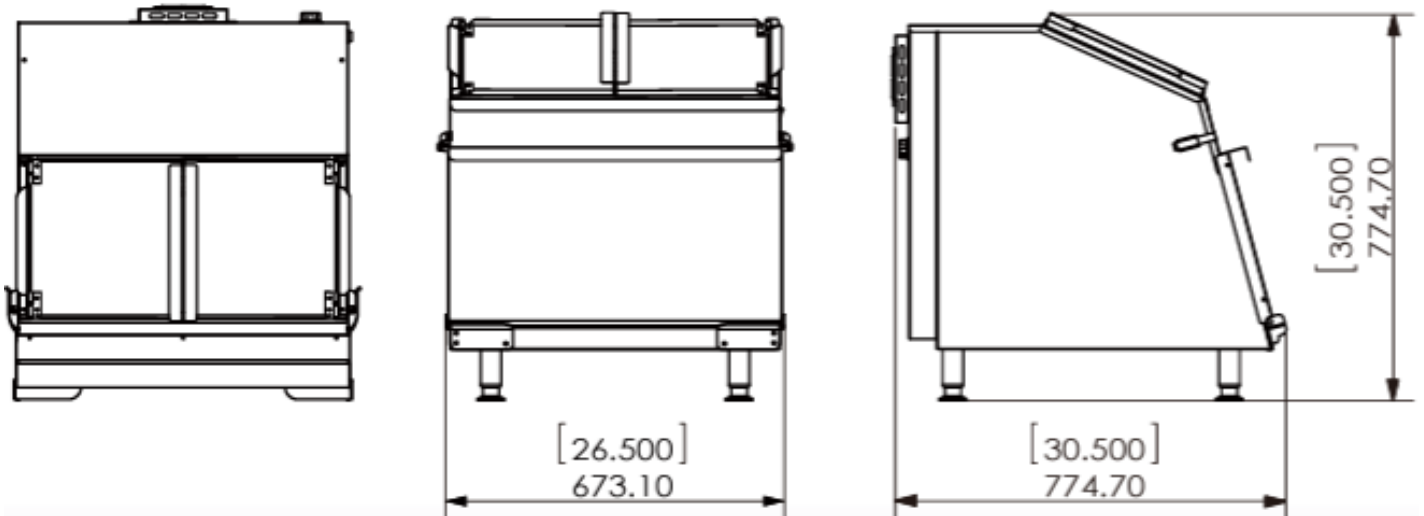
Model	Voltage	Amps	Hz	Phase	Package Size			Ship Weight	
					Width	Depth	Height	lbs.	Kg.
CC-TCW-26	120	12.5	60	1	32"	36"	37"	140	64
CC-TCW-46	120	12.5	60	1	32"	36"	45"	175	80

NOTICE: In an ongoing effort of product development & improvement, Comstock-Castle reserves the right to change specifications and product design without notice. Such modifications do not entitle the buyer to corresponding changes or replacements for previously purchased equipment.

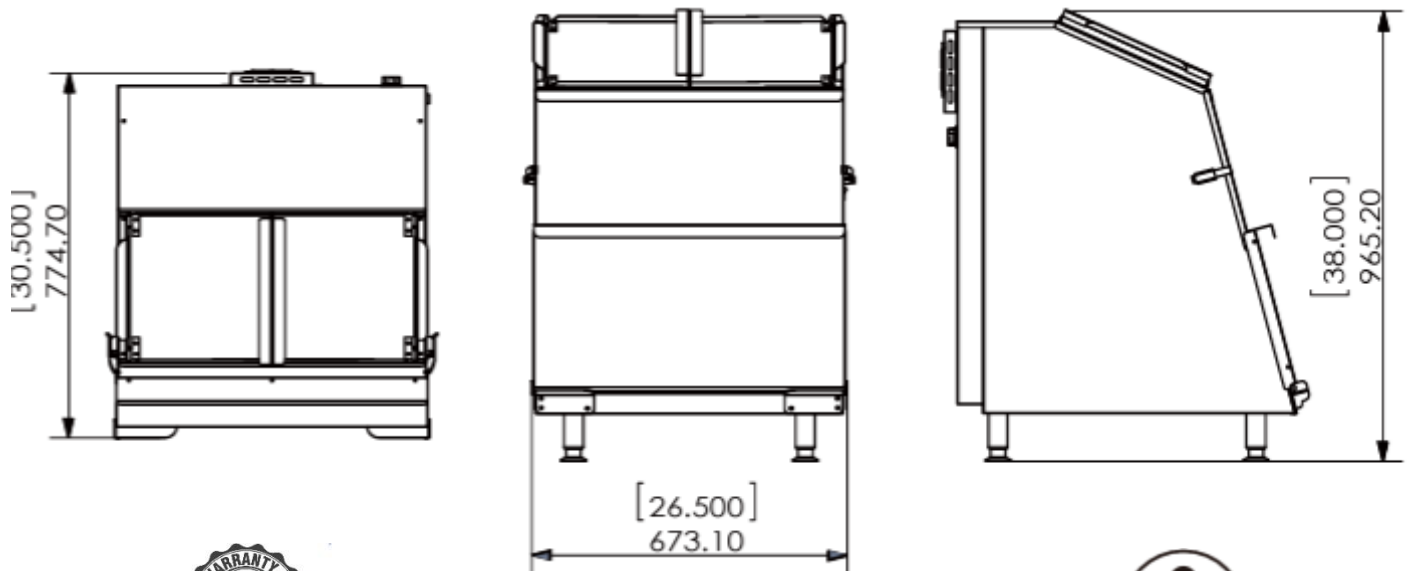




America's Oldest Stove Company
(Est. 1838)



CC-TCW-26 schematic above & CC-TCW-46 schematic below



See website
for details



5-15P



Comstock-Castle Stove Co. • 119 W. Washington St. • Quincy, IL. 62301
Tel.: 217-223-5070 • Fax.: 217-223-0007 • Web: www.castlestove.com

