

Clean Dishtable

Clean Straight Design

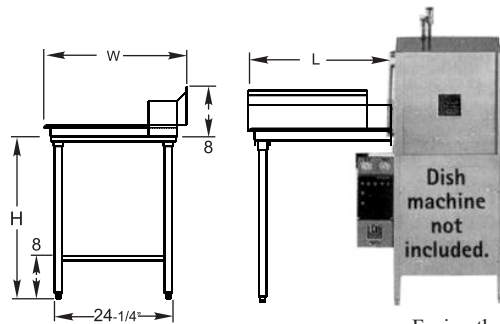
Polished stainless steel work surface
Table has formed-down lip to fit most standard dishwashers.

Left or right operation.

Stainless steel cross braced legs.

16 Ga. 304 S/S top, 8" backsplash.

72" and up models come with 4 legs.



Left Side Model

Facing the Dish Machine
Dishtable on your left



Without Manufacturer's Product Approval from the Massachusetts Board of State Examiners of Plumbers and Gasfitters



Left Side Model

Facing the Dish Machine
Dishtable on your left



Right Side Model

Facing the Dish Machine
Dishtable on your right

Order No	Gauge	Overall Size (")			Weight lbs/ea
		W	L	H	
DT24C-L	16	30	24	34	29
DT24C-R	16	30	24	34	29
DT30C-L	16	30	30	34	34
DT30C-R	16	30	30	34	34
DT36C-L	16	30	36	34	38
DT36C-R	16	30	36	34	38
DT48C-L	16	30	48	34	50
DT48C-R	16	30	48	34	50
DT60C-L	16	30	60	34	57
DT60C-R	16	30	60	34	57
DT72C-L	16	30	72	34	67
DT72C-R	16	30	72	34	67
DT84C-L	16	30	84	34	77
DT84C-R	16	30	84	34	77
DT96C-L	16	30	96	34	87
DT96C-R	16	30	96	34	87

Soiled Dishtables

Soiled Straight Design

Polished stainless steel work surface
Table has formed-down lip to fit most standard dish machines

Left or right operation.

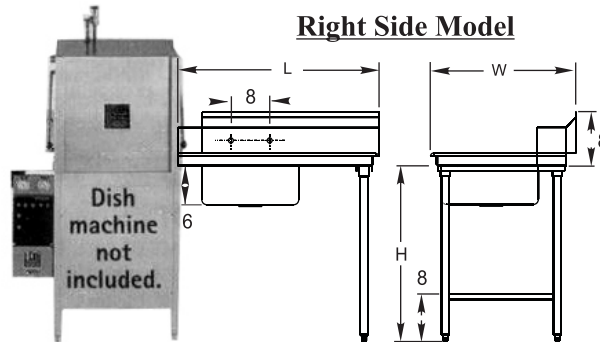
16 Ga. 304 S/S top & bowls

8" backsplash, 20"x20"x6" bowl.

Stainless steel cross braced legs.

Faucet and scrap basket are Not included.

72" and up models come with 4 legs.



Right Side Model

Facing the Dish Machine on your right
(Tub always close to Dish Machine)



Left Side Model

Facing the Dish Machine
Dishtable on your left



Right Side Model

Facing the Dish Machine
Dishtable on your right

Distance (D)	
24"	1.25"
30"-48"	5"
60"	17"
72" UP	25"

Order No	Gauge	Overall Size (")			Weight lbs/ea
		W	L	H	
DT24S-L	16	30	24	34	39
DT24S-R	16	30	24	34	39
DT30S-L	16	30	30	34	44
DT30S-R	16	30	30	34	44
DT36S-L	16	30	36	34	48
DT36S-R	16	30	36	34	48
DT48S-L	16	30	48	34	59
DT48S-R	16	30	48	34	59
DT60S-L	16	30	60	34	67
DT60S-R	16	30	60	34	67
DT72S-L	16	30	72	34	77
DT72S-R	16	30	72	34	77
DT84S-L	16	30	84	34	87
DT84S-R	16	30	84	34	87
DT96S-L	16	30	96	34	97
DT96S-R	16	30	96	34	97