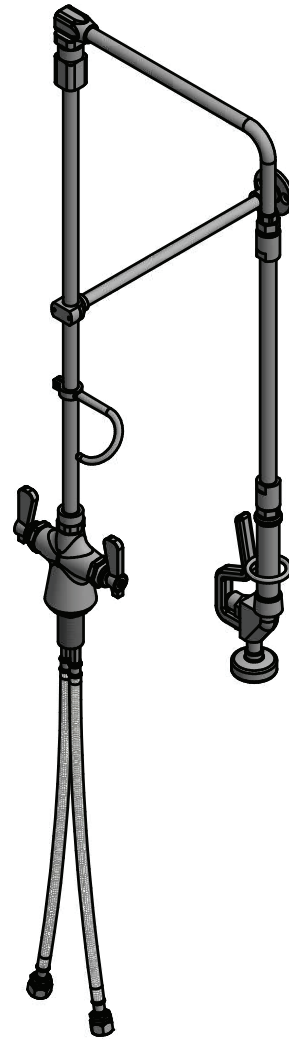
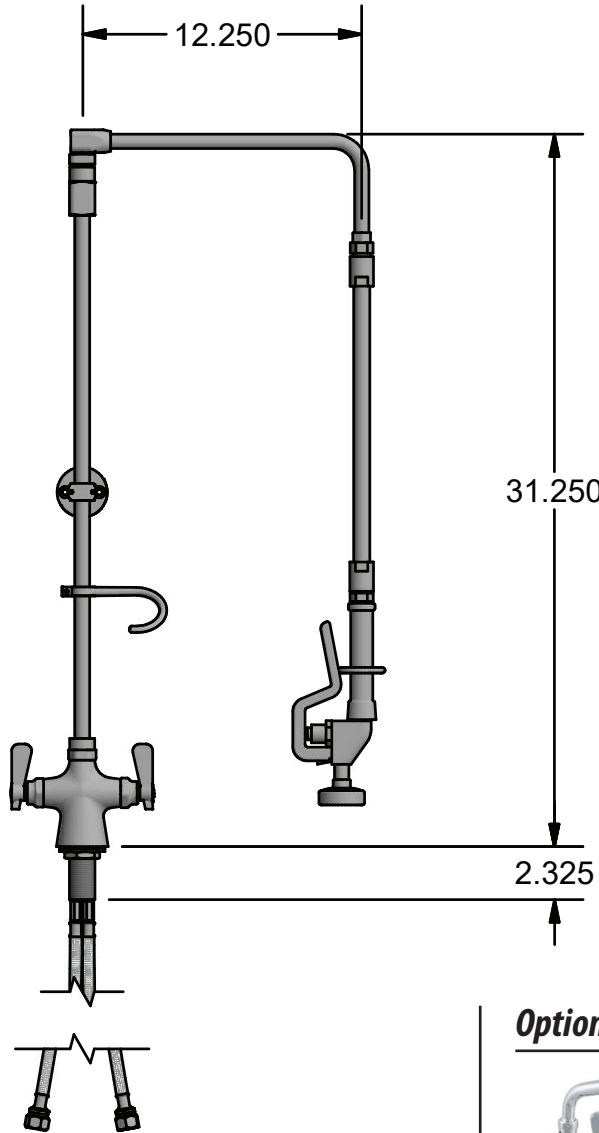




Use your smart phone to scan the above QR code to visit our website: www.bk-resources.com

# Deck Mount Swing Arm Pre-Rinse

Model: BKF-DMSAPR-WB-G, Lead Free



### Product Specifications:

- 27.5" High Riser with 13" Solid Swing Arm
- Triple-Ply Hose Rated to 300 PSI
- 12" Wall Bracket
- 1/4 Turn Ceramic Cartridges
- Color Coded Hot & Cold Indicators
- 1/2" Female Inlets
- 3 Year Faucet Warranty
- 1 Year Hose Warranty

### Options:



BKF-AF Add A Faucet  
BKF-AF-8-G, BKF-AF-10-G,  
BKF-AF-12-G, BKF-AF-14-G

### Certifications:



Certified to NSF/ANSI 61  
Section 9-G

PRODUCT SPECIFICATION SHEET

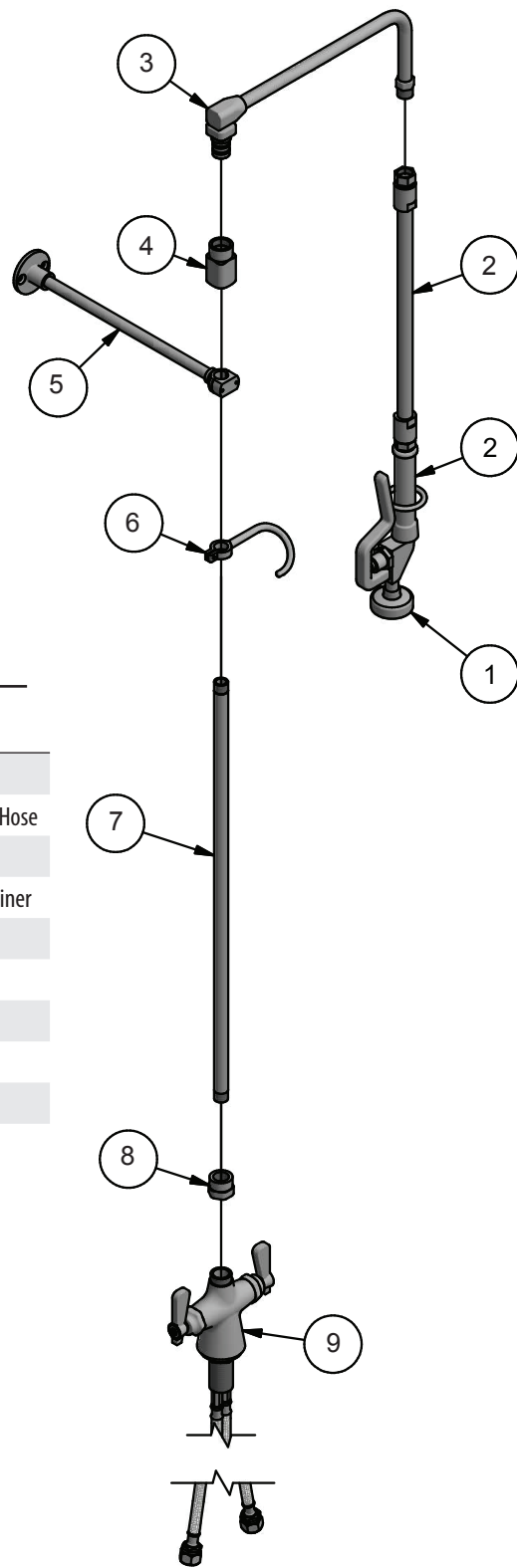
RESOURCES





# Deck Mount Swing Arm Pre-Rinse

Model: BKF-DMSAPR-WB-G, Lead Free



### Exploded Parts Detail:

Diagram #	Quantity	Part Number	Description
1	1	BK-PRV-1-G	1.0 GPM Spray Head
2	1	BKH-15-G	Pre-Rinse Spray Handle & Hose
3	1	BK-SAPR-SA	Swing Arm
4	1	BK-SAPR-SPR	Swing Arm Pre-Rinse Retainer
5	1	BK-PR-WB	Wall Bracket
6	1	BK-PR-SHR	Spray Valve Retainer
7	1	BK-PR-24RP-G	24" Riser Pipe
8	1	BK-PR-ADP	Pre-Rinse Adapter
9	1	BKF-DPF-XX-G	Deck Mount Pantry Faucet

PRODUCT SPECIFICATION SHEET

RESOURCES

