



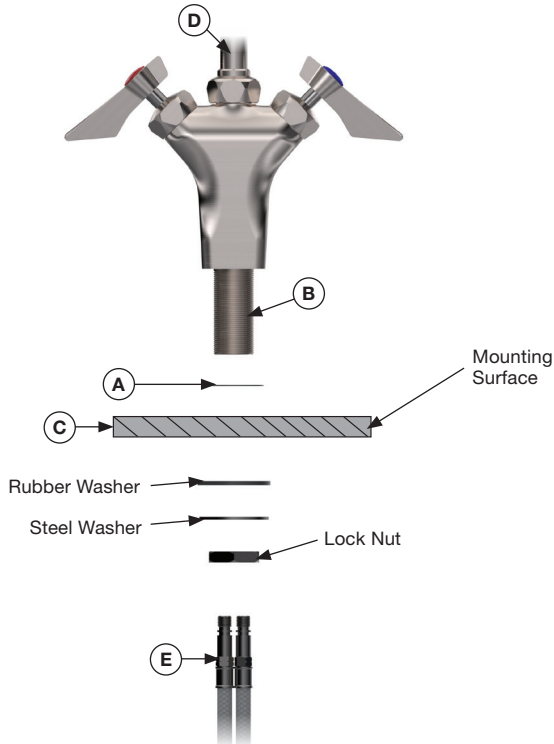
Single Hole Deck Mount Faucet Installation Manual

DX-6 Faucets



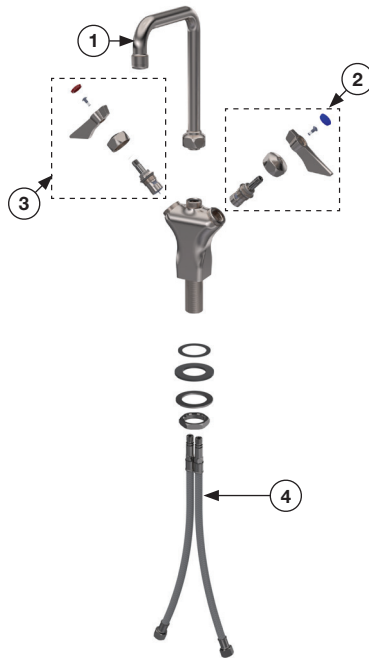
DIAMOND™
series

WARNING: Plumbing connections should be made by qualified personnel who will observe all applicable plumbing, sanitary and safety codes.



Installation Instructions

1. Turn off water supply at main source before proceeding with installation.
2. Place the thin rubber gasket **(A)** onto the threaded nipple **(B)**.
3. Place the threaded nipple into the faucet hole in the sink **(C)**.
4. From the back of the sink, place the included black rubber washer, metal washer, and lock nut onto the threaded nipple and tighten with a wrench (in that order).
5. Install the spout **(D)** onto the faucet body and tighten properly.
6. From the back of the sink, attach the pre-installed water lines **(E)** to the main water supply.



Parts Guide

No.	Model	Description
1	DX-420	6" Swing Spout
1	DX-421	8" Swing Spout
1	DX-422	10" Swing Spout
1	DX-423	12" Swing Spout
1	DX-424	14" Swing Spout
1	DX-425	16" Swing Spout
1	DX-426	18" Jointed Spout
1	DX-430	4-1/2" Double Bend Gooseneck
1	DX-431	6" Double Bend Gooseneck
1	DX-432	8-1/2" Double Bend Gooseneck
2	DX-708	Cold 1/4 Turn High Performance Ceramic Cartridge Valve
3	DX-709	Hot 1/4 Turn High Performance Ceramic Cartridge Valve
4	21-195L	Deck Base Water Line Kit

Warranty



Please visit krowne.com/warranty for full terms and conditions regarding the warranty on your new Diamond Series product.

Product Description	Warranty Period
Diamond Series Plumbing	Lifetime

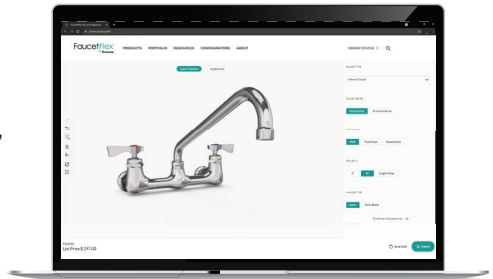
This Standard Warranty and Limitation of Liability (the "Warranty") sets forth the warranty provided by Krowne Metal Corporation (hereinafter "Krowne") with respect to the product purchased by Purchaser (the "Equipment"). By accepting delivery of the Equipment, Purchaser agrees to be bound by and accept these terms and conditions. All defined terms within the Warranty shall have the same meaning and definition as provided elsewhere in the Warranty. Equipment covered by the Warranty shall only be warranted in connection with its original installation only. Krowne will only be obligated to honor the warranty set forth in these terms and conditions upon receipt of full payment for the equipment.

FaucetFlex®
BY KROWNE



- Effortlessly configure a faucet, pre-rinse and much more
- Instant spec sheet generation
- Instant price generation

krowne.com/faucetflex



KROWNE®

100 Haul Rd. • Wayne, NJ 07470
krowne.com