



TABLE MOUNTED

KD STAINLESS STEEL OVERSHELVES with Stainless Steel Posts

Item #: _____ **Qty #:** _____

Model #: _____

Project #: _____



ETS SERIES
14" Stainless Steel Posts

FEATURES:

Stainless steel shelving and posts.

ETS Series Overall Height = 14"

EDS Series Overall Height = 32". Adjustable Mid-Shelf.

Shelves are made with rolled edges (front & rear) with square ends.

Angle brackets provided with stainless steel gusset to receive post.

CONSTRUCTION:

All TIG welded.

Exposed surfaces are polished to a satin finish.

MATERIAL:

All Shelves are 18 gauge type "430" stainless steel.

Stainless steel posts.

Stainless steel bracket and gusset.



EDS SERIES
32" Stainless Steel Posts

SINGLE DECK

L	C	12" Wide	Wt
48"	48 1/4"	ETS-12-48-X	25 lbs.
60"	60 1/4"	ETS-12-60-X	31 lbs.
72"	72 1/4"	ETS-12-72-X	39 lbs.
96"	96 1/4"	ETS-12-96-X	53 lbs.

DOUBLE DECK

L	C	12" Wide	Wt
48"	48 1/4"	EDS-12-48-X	42 lbs.
60"	60 1/4"	EDS-12-60-X	53 lbs.
72"	72 1/4"	EDS-12-72-X	64 lbs.
96"	96 1/4"	EDS-12-96-X	86 lbs.



INCLUDES
ANGLE BRACKETS

8 ft. units are furnished with three (3) sets of tubing supports.



Customer Service Available To Assist You 1-800-645-3166 8:30 am - 8:00 pm E.S.T.

Email Orders To: customer@advancetabco.com. For Smart Fabrication™ Quotes, Email To: smartfab@advancetabco.com or Fax To: 631-586-2933

NEW YORK
Fax: (631) 242-6900

GEORGIA
Fax: (770) 775-5625

TEXAS
Fax: (972) 932-4795

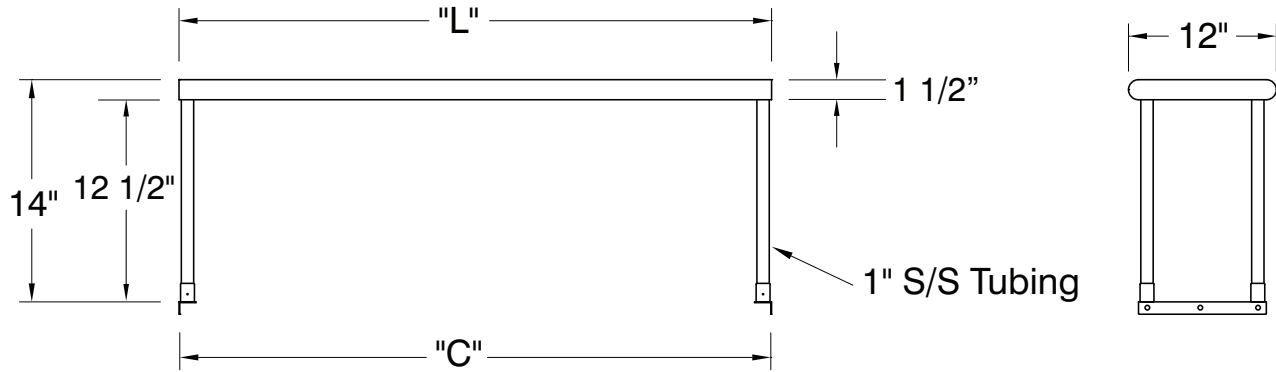
NEVADA
Fax: (775) 972-1578

DETAILS and SPECIFICATIONS

TOL \pm .500"

ALL DIMENSIONS ARE TYPICAL

ETS SERIES - SINGLE DECK



EDS SERIES - DOUBLE DECK

