



Profit from the Eagle Advantage®

# Specification Sheet

## Short Form Specifications

Eagle Four-Compartment Utility Sinks, model \_\_\_\_\_ . Constructed of type 304 or 430 stainless steel with square corners, Euro-Style edging on front, and 8" backsplash. All partitions have 5/8" rolled top edge. Faucet holes punched on 8" centers (set of two). All outside corners to be bullnosed for clean, safe edges. 1 1/2" O.D. galvanized tubular legs with adjustable bullet feet.



four-compartment utility sink

## Options / Accessories

- Faucets
- Detachable drainboard \*
- Lever waste
- Lever waste with overflow
- Stainless steel legs
- Stainless steel feet

\* See Spec Sheet #EG20.13E for optional detachable drainboards.

## Design and Construction Features:

- For numerous applications when NSF approval is not required (For NSF-approved utility sinks, add prefix "N-" to model number. Example: N-2460-2-16/3)
- Entire assembly is fuse welded and planished, providing a one-piece seamless sink unit.
- 34 1/2" to 35 1/2" (876 to 902mm) working height.

## EAGLE GROUP

100 Industrial Boulevard, Clayton, DE 19938-8903 USA

Phone: 302-653-3000 • Fax: 302-653-2065

www.eaglegrp.com

Foodservice Division: Phone 800-441-8440

MHC/Retail Display Divisions: Phone 800-637-5100

For custom configuration or fabrication needs, contact our SpecFAB® Division.

Phone: 302-653-3000 • Fax: 302-653-2065 • e-mail: quotes@eaglegrp.com

Item No.: \_\_\_\_\_  
 Project No.: \_\_\_\_\_  
 S.I.S. No.: \_\_\_\_\_

# Four-Compartment Utility Sinks with Square Corner Construction

## MODELS:

- 1872-4-16/4
- 1872-4-16/3
- 2172-4-16/4
- 2172-4-16/3
- 2472-4-16/4
- 2472-4-16/3
- 2172-4-18-16/4
- 2172-4-18-16/3

## Top:

- All partitions have euro-style front edge.
- Available with detachable\* or welded drainboards.
- 8" (203mm) splash features 2" (51mm) return to wall on 45° angle, with 1" (25mm) upturn.
- Set of two 1 1/8" (29mm) faucet holes punched on 8" (203mm) centers.

## Legs:

- 1 1/2" (41mm)-diameter heavy-gauge galvanized tubing.
- High-impact corrosion-resistant 1" (25mm) adjustable bullet feet.
- Leg locations fall directly under sink bowls, providing increased stability and maximum weight support.

## Sink Bowls:

- 16 gauge type 304 or 430 stainless steel.
- 13 3/8" (340mm)-deep compartments.
- 12-gauge leg gussets welded to a die-cut heavy-gauge reinforcing plate underneath sink bowls.
- Drain holes are 3 1/2" (89mm)-diameter, recessed, and complete with 1 1/2" (38mm) IPS basket-type waste drains, which is shipped loose.

# AUTOQUOTES



EG20.13D Rev. 06/14

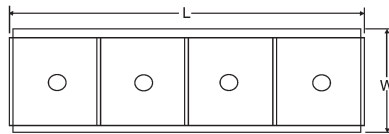
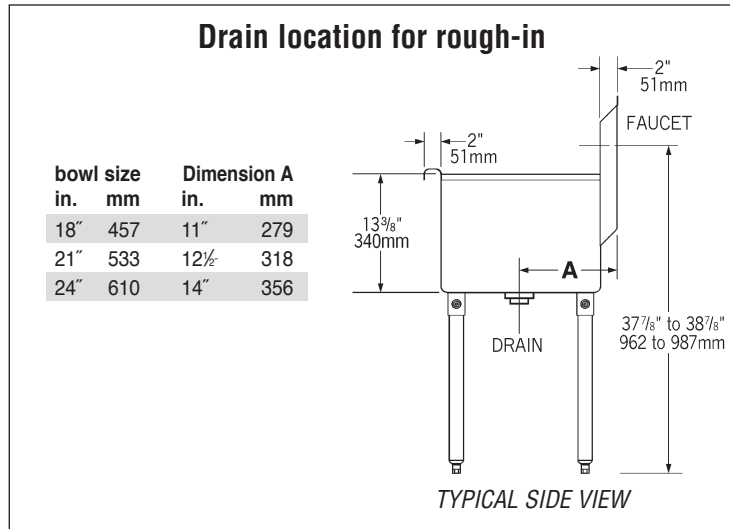
Spec sheets available for viewing, printing or downloading from our online literature library at [www.eaglegrp.com](http://www.eaglegrp.com)

Eagle Foodservice Equipment, Eagle MHC, SpecFAB®, and Retail Display are divisions of Eagle Group. ©2014 by the Eagle Group



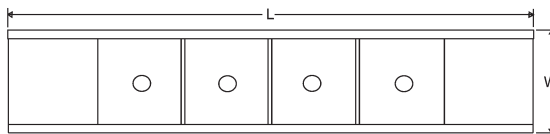
Item No.: \_\_\_\_\_  
 Project No.: \_\_\_\_\_  
 S.I.S. No.: \_\_\_\_\_

## Four-Compartment Utility Sinks with Square Corner Construction



### Sinks with No Drainboards

16 gauge type 430 stainless steel model #	16 gauge type 304 stainless steel model #	BOWL DIMENSIONS				DRAINBOARD		OVERALL DIMENSIONS				weight	
		width in.	width mm	length in.	length mm	quantity	length in. mm	width in.	width mm	length in.	length mm	lbs.	kg
1872-4-16/4	1872-4-16/3	18"	457	18"	457	0	n/a	22"	559	73 3/4"	1864	110	49.9
2172-4-16/4	2172-4-16/3	21"	533	18"	457	0	n/a	25"	635	73 3/4"	1864	115	52.2
2472-4-16/4	2472-4-16/3	24"	610	18"	457	0	n/a	28"	711	73 3/4"	1864	125	56.7



### Sinks with Double Drainboards

16 gauge type 430 stainless steel model #	16 gauge type 304 stainless steel model #	BOWL DIMENSIONS				DRAINBOARD		OVERALL DIMENSIONS				weight	
		width in.	width mm	length in.	length mm	quantity	length in. mm	width in.	width mm	length in.	length mm	lbs.	kg
2172-4-18-16/4	2172-4-18-16/3	21"	533	18"	457	2	18" 457	25"	635	108 1/4"	2750	155	70.3

**EAGLE GROUP**  
 100 Industrial Boulevard, Clayton, DE 19938-8903 USA  
 Phone: 302-653-3000 • Fax: 302-653-2065  
 www.eaglegrp.com

Foodservice Division: Phone 800-441-8440  
 MHC/Retail Display Divisions: Phone 800-637-5100

Printed in U.S.A.  
 ©2014 by Eagle Group  
 Rev. 06/14

Spec sheets available for viewing, printing or downloading from our online literature library at [www.eaglegrp.com](http://www.eaglegrp.com)

Although every attempt has been made to ensure the accuracy of the information provided, we cannot be held responsible for typographical or printing errors. Information and specifications are subject to change without notice. Please confirm at time of order.