

Item No.: _____
Project No.: _____
S.I.S. No.: _____

Specification Sheet

Short Form Specifications

BlendPort™ BPFC Series Sink, model _____.
16 gauge type 304 stainless steel construction. Features stainless steel legs, gussets, and bullet feet; crossbracing; 14"-deep bowls; and faucet holes on 8" centers.



BlendPort™ BPFC Series Sinks

- 16 gauge type 304 stainless steel.
- Stainless steel legs and gussets.
- Stainless steel bullet feet.
- Legs are 19" high.
- Crossbracing runs front-to-back and side-to-side.
- 14"-deep sink bowls with 3.5" basket drain.
- Available with one, two, or three compartments.
- Bowl straps between bowls.
- Faucet holes on 8" centers.

| number of compartments | bowl size | # of drainboards | drainboard length | overall front-to-back | overall end-to-end | weight | model # |
|------------------------|-----------|------------------|-------------------|-----------------------|--------------------|----------|---------------------------|
| 1 | 18" x 18" | 0 | n/a | 23.5" | 23" | 45 lbs. | BPS-1818-1-FC |
| 1 | 18" x 18" | 1 (left) | 18" | 23.5" | 38.5" | 75 lbs. | BPS-1818-1-18L-FC |
| 1 | 18" x 18" | 1 (right) | 18" | 23.5" | 38.5" | 75 lbs. | BPS-1818-1-18R-FC |
| 1 | 18" x 18" | 2 | 18" | 23.5" | 54" | 97 lbs. | BPS-1818-1-18-FC |
| 1 | 24" x 24" | 0 | n/a | 29.5" | 29" | 60 lbs. | BPS-2424-1-FC |
| 2 | 15" x 15" | 0 | n/a | 23.5" | 35" | 75 lbs. | BPS-1530-2-FC |
| 2 | 24" x 24" | 0 | n/a | 29.5" | 59" | 90 lbs. | BPS-2448-2-FC |
| 2 | 24" x 24" | 1 (left) | 24" | 29.5" | 74.5" | 116 lbs. | BPS-2448-2-24L-FC |
| 2 | 24" x 24" | 1 (right) | 24" | 29.5" | 74.5" | 116 lbs. | BPS-2448-2-24R-FC |
| 2 | 24" x 24" | 2 | 24" | 29.5" | 96" | 141 lbs. | BPS-2448-2-24-FC |
| 3 | 15" x 15" | 0 | n/a | 23.5" | 50" | 114 lbs. | BPS-1545-3-FC |
| 3 | 15" x 15" | 1 (left) | 15" | 23.5" | 62.5" | 123 lbs. | BPS-1545-3-15L-FC |
| 3 | 15" x 15" | 1 (right) | 15" | 23.5" | 62.5" | 123 lbs. | BPS-1545-3-15R-FC |
| 3 | 15" x 15" | 2 | 15" | 23.5" | 75" | 152 lbs. | BPS-1545-3-15-FC |
| 3 | 18" x 18" | 0 | n/a | 23.5" | 59" | 176 lbs. | BPS-1854-3-FC |
| 3 | 18" x 18" | 1 (left) | 18" | 23.5" | 74.5" | 133 lbs. | BPS-1854-3-18L-FC |
| 3 | 18" x 18" | 1 (right) | 18" | 23.5" | 74.5" | 133 lbs. | BPS-1854-3-18R-FC |
| 3 | 18" x 18" | 2 | 18" | 23.5" | 90" | 152 lbs. | BPS-1854-3-18-FC |
| 3 | 18" x 18" | 1 (left) | 24" | 23.5" | 80.5" | 139 lbs. | BPS-1854-3-24L-FC |
| 3 | 18" x 18" | 1 (right) | 24" | 23.5" | 80.5" | 139 lbs. | BPS-1854-3-24R-FC |
| 3 | 18" x 18" | 2 | 24" | 23.5" | 102" | 164 lbs. | BPS-1854-3-24-FC |
| 3 | 18" x 24" | 0 | n/a | 29.5" | 59" | 143 lbs. | BPS-2454-3-FC |
| 3 | 18" x 24" | 1 (left) | 18" | 29.5" | 74.5" | 160 lbs. | BPS-2454-3-18L-FC |
| 3 | 18" x 24" | 1 (right) | 18" | 29.5" | 74.5" | 160 lbs. | BPS-2454-3-18R-FC |
| 3 | 18" x 24" | 2 | 18" | 29.5" | 90" | 163 lbs. | BPS-2454-3-18-FC |
| 3 | 18" x 24" | 1 (left) | 24" | 29.5" | 80.5" | 165 lbs. | BPS-2454-3-24L-FC |
| 3 | 18" x 24" | 1 (right) | 24" | 29.5" | 80.5" | 165 lbs. | BPS-2454-3-24R-FC |
| 3 | 18" x 24" | 2 | 24" | 29.5" | 102" | 175 lbs. | BPS-2454-3-24-FC |
| 3 | 24" x 24" | 0 | n/a | 29.5" | 77" | 135 lbs. | BPS-2472-3-FC* |
| 3 | 24" x 24" | 1 (left) | 24" | 29.5" | 98.5" | 150 lbs. | BPS-2472-3-24L-FC* |
| 3 | 24" x 24" | 1 (right) | 24" | 29.5" | 98.5" | 150 lbs. | BPS-2472-3-24R-FC* |
| 3 | 24" x 24" | 2 | 24" | 29.5" | 120" | 175 lbs. | BPS-2472-3-24-FC* |

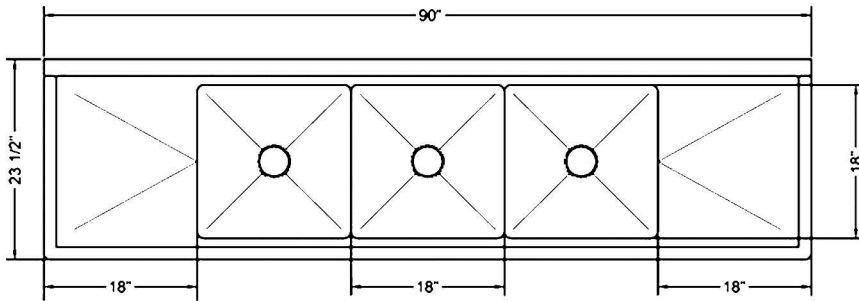
* Feature 2 sets of faucet holes (faucets sold separately).



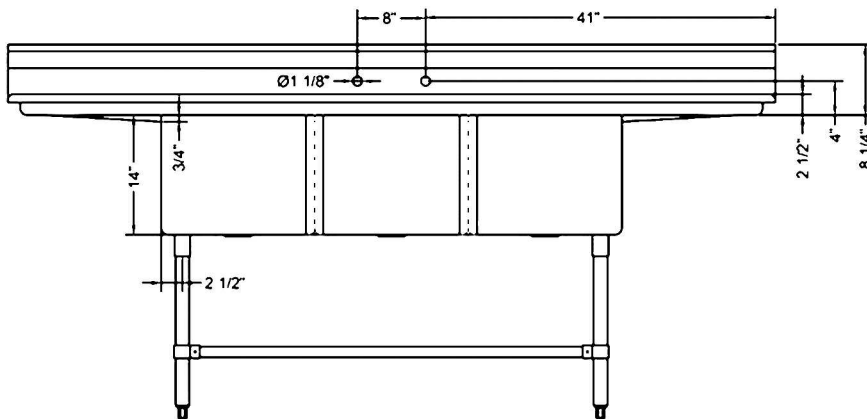


| | |
|--------------|-------|
| Item No.: | _____ |
| Project No.: | _____ |
| S.I.S. No.: | _____ |

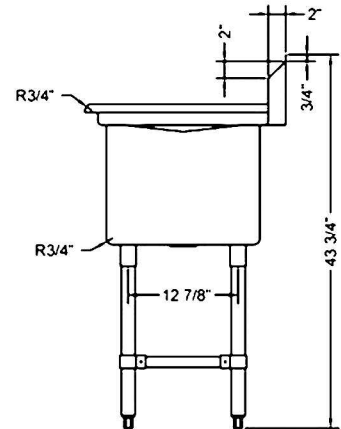
BlendPort™ BPFC Series Sinks



TOP VIEW



FRONT VIEW



SIDE VIEW

(Note: #BPS-1854-3-18-FC shown)

BlendPort™

An Eagle Group Company
100 Industrial Boulevard, Clayton, DE 19938-8903 USA
Phone: 800-441-8440 • Fax: 302-653-2065

Printed in U.S.A.
©2012 by Eagle Group
Rev. 05/12

Although every attempt has been made to ensure the accuracy of the information provided, we cannot be held responsible for typographical or printing errors. Information and specifications are subject to change without notice. Please confirm at time of order.