

G**STATIONARY SELF-CONTAINED GAS FIRED STEAM JACKETED KETTLE**

JOB NAME: _____

ITEM NO.: _____

NO. REQUIRED: _____

- MODELS:** F-80GL - 80 Gallon (303 liters)
 F-100GL - 100 Gallon (379 liters)

DESCRIPTION:

Market Forge self contained gas fired stationary steam kettle. The kettle has double-wall construction forming a steam jacket around the lower 2/3 of the vessel. The jacket enclosure contains factory sealed water and antifreeze. The kettle exterior is fully insulated. The bottom of the kettle is a hemispherical design for superior heat circulation.

The recessed control panel is located on the front right side of the unit in full view of the operator. Standard controls include direct immersion thermostat, water sight glass, cooking light, pressure gauge and electronic ignition with ignition indicator light. Safety features include low water cut off, gas valve with gas pressure regulator, pressure switch and a 100% safety gas shut off valve.

The kettle is mounted on stainless steel 2" quad-legs with adjustable flanged feet. The kettle has as standard equipment a spring assisted hinged cover, a 2" (50mm) diameter draw off valve and drain strainer.

The gas burner assembly includes a burner system with a rated capacity of 150,000 BTU input. The pressurized steam generating section of the kettle will be fitted with a safety valve and an automatic air eliminator valve. Kettle construction is in accordance with the ASME code.

Model	Input BTU/Hour	Combustion Efficiency
F-80GL	150,000	78% Minimum
F-100GL	150,000	78% Minimum



F-80GL Shown

OPERATION WILL BE BY:

Natural or L.P. gas utilizing a high efficiency power burner system. The steam kettle is A.S.M.E. code stamped for operation to 35 PSI (2.5kg/cm²). Temperature range from 165° F to 265° F (74°C to 130°C).

Standard controls equipped for operation on:

- 120 VAC, 1 Phase, 50/60 Hz.

OPTIONAL AT EXTRA COST:

- Stainless Steel Tri-Basket..
 Single Pantry Faucet with Swing Spout.
 Double Pantry Faucet with Swing Spout.
 316 Stainless Steel Liner for High Acid Content Products.
 Graduated Measuring Strip.
 3" Draw-Off Valve with Strainer.
 Solid Draw-Off Strainer.
 220V - 240V, 1 pH, 50 Hz.
 Etched Gallon Markings.

The manufacturer reserves the right to modify materials and specifications without notice.

SPEC SHEET: S-2496C
08/11FOOD SERVICE EQUIPMENT
Stationary Gas Kettle

MARKET FORGE
INDUSTRIES INC.

35 Garvey Street • Everett • MA • 02149
 Tel: (617) 387-4100 • Fax: 1-800-227-2659 (Ex. MA) • (617) 387-4456 (MA and Overseas)
 E-Mail: CUSTSERV@mfi.com • Website: www.mfi.com

G**STATIONARY SELF-CONTAINED GAS FIRED STEAM JACKETED KETTLE**

DETAILS & DIMENSIONS

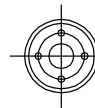
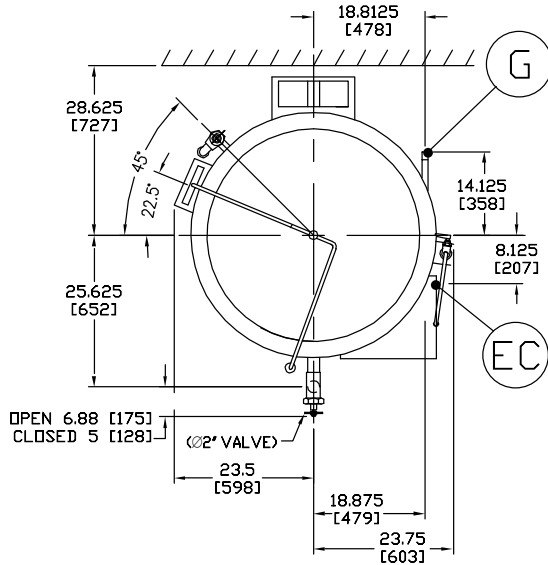
MODEL	SHIP WT. (lbs.)	SUPPLY PRESSURE (W.C.)		BTU/Hr.	kW/ Hr.	MINIMUM CLEARANCE*	
		Natural	Propane			Sides	Back
F-80GL	950	6"-14" (152-355)	11"-14" (279-355)	150,000	44	6" (152)	2" (51)
F-100GL	1100	6"-14" (152-355)	11"-14" (279-355)	150,000	44	6" (152)	2" (51)

* Use on non-combustible floors only.

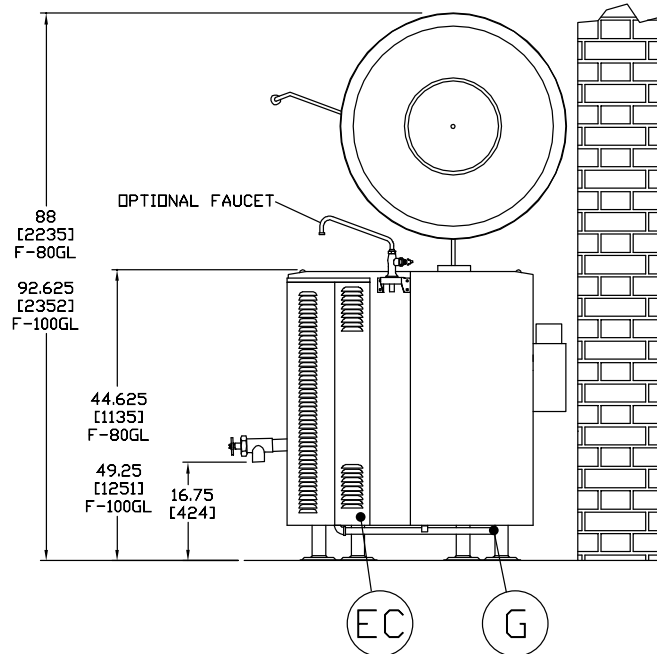
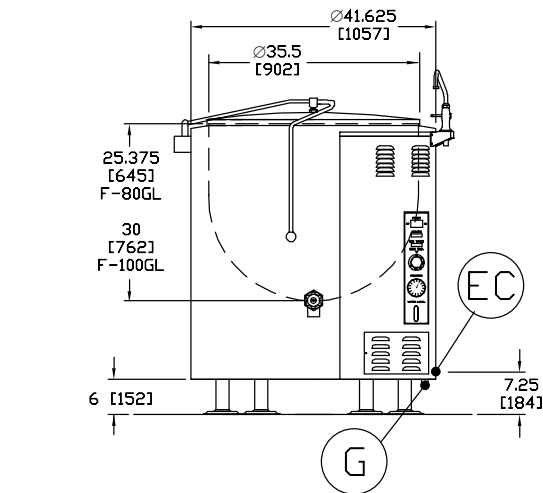
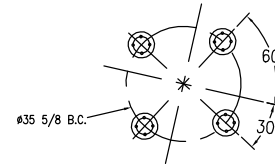
SERVICE CONNECTIONS**Gas Operated**

EC Electrical Connection - 120 Volt, 60Hz, 1Ph, furnished with 6 ft. cord with 3 pronged plug. Total Max. Amps 2.0.

G Gas Connection - 3/4" (19mm) N.P.T. A gas shut-off valve must be installed in supply piping convenient and adjacent to unit.



FLANGED FEET DETAIL
4 EQUALLY SPACED
Ø7/16" [11mm] HOLES
ON 3" [76mm] B.C.

SPEC SHEET: S-2496C
08/11FOOD SERVICE EQUIPMENT
Stationary Gas Kettle

It is our policy to build equipment which is design certified by A.S.M.E., N.S.F. and C.S.A. However, a continuing program of product improvement makes it necessary to submit new models to the agencies as they are developed and consequently not all models bear the appropriate agency labels at all times.



MARKET FORGE
INDUSTRIES INC.

PRINTED IN U.S.A.

35 Garvey Street • Everett • MA • 02149
Tel: (617) 387-4100 • Fax: 1-800-227-2659 (Ex. MA) • (617) 387-4456 (MA and Overseas)
E-Mail: CUSTSERV@mfi.com • Website: www.mfi.com

A City Discount