

G**FULL JACKETED GAS STATIONARY KETTLE**
 JOB NAME: _____
 ITEM NO.: _____
 NO. REQUIRED: _____
MODEL: F-40GLF

DESCRIPTION: Will be a Market Forge Shall be a Model F-40GLF , gas fired fully jacketed self-contained stationary steam jacketed kettle. The kettle shall be constructed with an exterior of type 304 stainless steel, #4 sanitary finish and 6" (152mm) stainless steel legs fitted with flanged adjustable feet.

The burners shall be of stainless steel high efficiency atmospheric tubular design and easily serviceable. The interior kettle liner shall be a one piece all welded construction of type 304 stainless steel with # 4 sanitary finish, and shall be furnished with a 2" (50 mm) draw-off valve and a spring assist stainless steel cover as standard.

The recessed control panel shall be located on the front side of the unit in full view of the operator and easy to use. Standard controls shall include electronic ignition, direct immersion thermostat, water sight glass, cooking pilot light, vacuum/pressure gauge and low water indicator light.

Safety features shall include a low water cut off, pressure relief valve, pressure control and 100% safety gas shut-off valve.

The kettle shall operate in a temperature range of 165°F to 275°F (74°C to 135°C) at a maximum pressure of 50 PSI (3.5kg/cm²).

STANDARD FEATURES:

- Low water level cut-off and indicator.
- Pressure gauge.
- Temperature control.
- Safety relief valve.
- Maximum 50 PSI (3.5kg/cm²) pressure operation.
- Integrally mounted controls.
- 2" (50 mm) draw-off valve with strainer.
- Spring assist stainless steel cover.
- Electronic ignition.
- Water sight glass.
- 100% safety gas shut-off control.

*F-40GLF Shown***UTILITY INFORMATION:**

Gas Total 130,000 BTU. One 1" male connection (for location, see drawing below) Natural Propane; Required operating pressure: Natural Gas 4" W.C.; Propane Gas 10" W.C.

OPERATION WILL BE BY:

- Natural Gas
- L.P. Gas

OPTIONAL AT EXTRA COST:

- 220 VAC, 1 phase, 50/60 Hz.
- 316 stainless steel liner for high acid content.
- 3" (76mm) draw-off valve with strainer.
- Etched gallon markings.
- Etched litre markings.
- Casters (Set of 4, 2 with brakes).
- Correctional package.
- Draw-off valve hose kit.
- Tri-basket assembly.
- Contoured measuring strip.
- Strainer hook.
- Solid disc for draw-off valve.
- Single pantry faucet with swing spout.
- Double pantry faucet with swing spout.
- Single pantry faucet kettle filler.
- Double pantry faucet kettle filler.
- Draw-off valve drain cup with hose.

The manufacturer reserves the right to modify materials and specifications without notice.

 SPEC SHEET: S-6021
 02/10

FOOD SERVICE EQUIPMENT
 Full Jacketed Stationary Kettle


PRINTED IN U. S. A.


MARKET FORGE
 INDUSTRIES INC.

 35 Garvey Street • Everett • MA • 02149
 Tel: (617) 387-47100 • Toll Free: (866) 698-3188 • Fax: (617) 387-4456 • Outside MA Fax: (800) 227-2659
 E-Mail: custserv@mfii.com • Website: www.mfii.com

A City Discount

G

FULL JACKETED GAS STATIONARY KETTLE

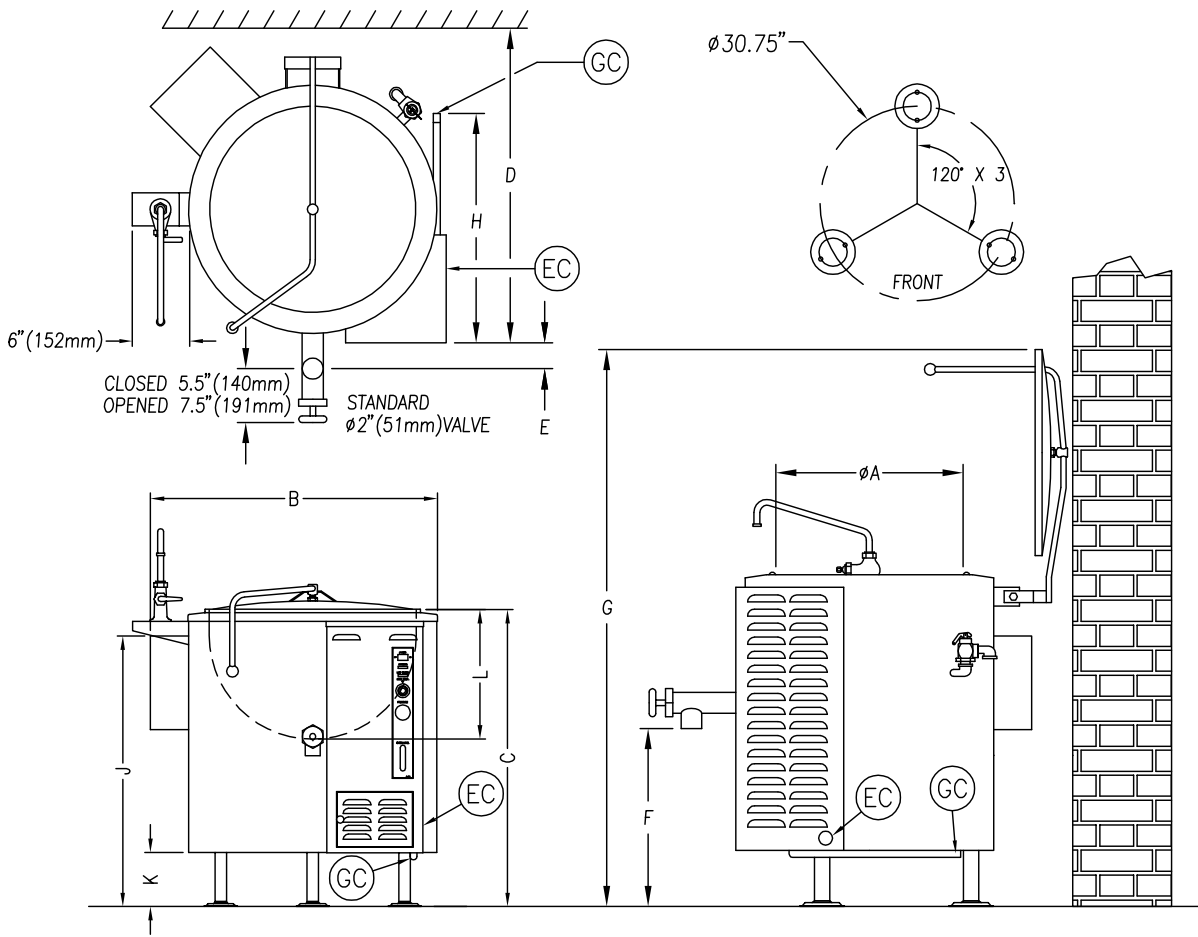
DETAILS & DIMENSION

ELECTRIC:

- Standard: 115/60/1 - furnished with 6 ft. cord with 3-prong plug. Total maximum amps 2.0.
- Optional: 208-240/60/1 - Supply must be wired to unit, refer to drawing below. Total maximum amps 1.0.
- Optional: 220/50/1 - Supply must be wired to unit, refer to drawing below. Total maximum amps 1.0.

DIMENSIONS

MODEL	SHIP WT.	CAPACITY	A	B	C	D	E	F	G	H	J	K	L
F-40GLF	700 lbs.	40 Gallon 152 liters	30 762	40 1016	43.5 1105	42 1016	2.5 63	21.5 546	79 2007	35 889	39 991	8.0 203	18.75 476



It is our policy to build equipment which is design certified by U.L., E.T.L., A.S.M.E., N.S.F. and C.S.A. However, a continuing program of product improvement makes it necessary to submit new models to the agencies as they are developed and consequently not all models bear the appropriate agency labels at all times.

SPEC SHEET: S-6021
02/10

FOOD SERVICE EQUIPMENT
Full Jacketed Stationary Kettle



MARKET FORGE
INDUSTRIES INC.

35 Garvey Street • Everett • MA • 02149
Tel: (617) 387-47100 • Toll Free: (866) 698-3188 • Fax: (617) 387-4456 • Outside MA Fax: (800) 227-2659
E-Mail: custserv@mfi.com • Website: www.mfi.com

A City Discount