

Project: _____	AIA# _____
Item #: _____ Qty: _____	SIS# _____
Model #: _____	

Ice Cream Freezers

FRA-24, FRA-36, FRB-24 or FRB-36



FRA-24

Standard Features

- All stainless steel exterior with 16 gauge galvanized steel floor.
- Completely integrated design - not just a cabinet with separate drop-in module
- One-piece, seamless top and backsplash
- Adjustable stainless steel bullet feet
- Foamed-in-place insulation
- 6" diameter seamless welded draining dipper well and faucet
- Six foot grounded cord and plug provided (exits at rear)
- Available sizes to hold one or two 3-gallon containers
- Leg sockets recessed into base



Intertek



Intertek

4004503
 Conforms to NSF/ANSI STD 7 and UL STD 471
 Certified to CSA STD C22.2 No. 120

All faucets are NSF/ANSI 61, Annex G low lead compliant

Specifications

Drains

- 1-1/2" I.P.S. Threaded drain will fit Dearborn part #8033 slipnut and part #W-573P washer.

Faucet

- Accepts 3/8" cold water leads

Capacity

- 24" wide model holds one 3-gallon container
- 36" wide model holds two 3-gallon containers

Electrical

- 120V, 1 phase, 60 Hz, 3.9 full load amps
- Dedicated 15 amp circuit is recommended
- Includes 6 foot NEMA 5-15P grounded cord and plug



5-15P

Refrigeration

- Operating range -5°F (-20°C) to 10°F (-12°C)
- 1/5 HP, R404A refrigerant
- 1,597 BTU/hr heat rejection

Legs

- 1-5/8" diameter 16 gauge stainless steel
- Stainless steel bullet feet

Materials

- 20 gauge stainless steel parts include: all components unless otherwise noted
- 22 gauge galvanized steel parts include: wrap on body of freezer unit
- 16 gauge galvanized steel parts include: cabinet floor, condensing unit floor, and leg pads

To view underbar installation instructions, please visit: http://www.glastender.com/PDF/F-750-165_Underbar_Installation_Instructions.pdf
 To view cleaning and care instructions, please visit: http://www.glastender.com/PDF/F-423-011_ss_clean_care.pdf

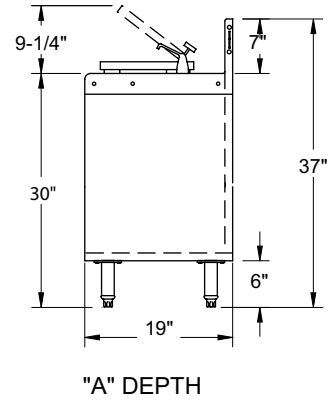
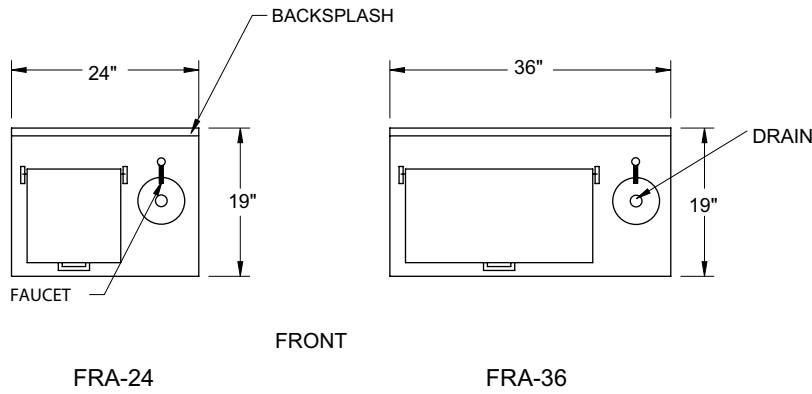
Glastender, Inc. • 5400 North Michigan Road • Saginaw, MI • 48604-9780
 989.752.4275 • 800.748.0423 • Fax 989.752.4444
www.glastender.com

Approval/Notes:

Specifications subject to change without notice. For current specifications please visit our website.

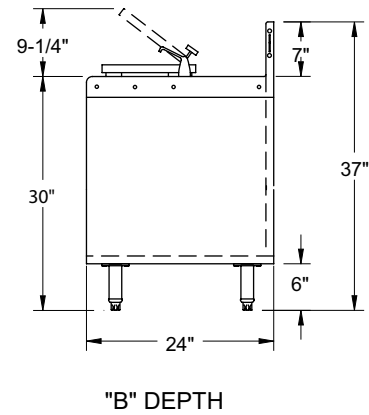
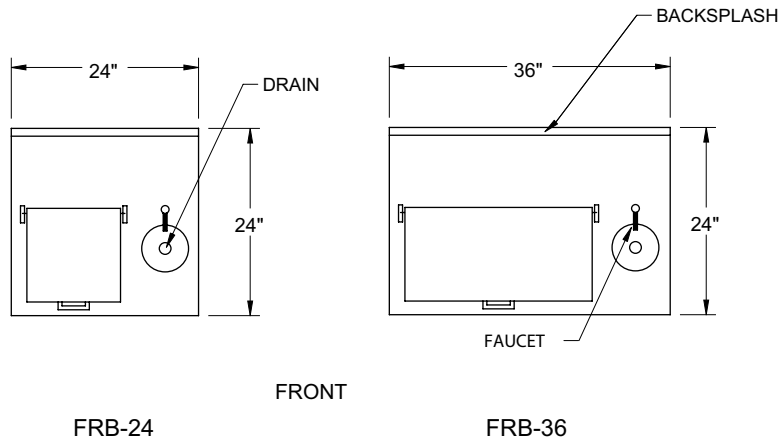
Ice Cream Freezers

Dimensional Information



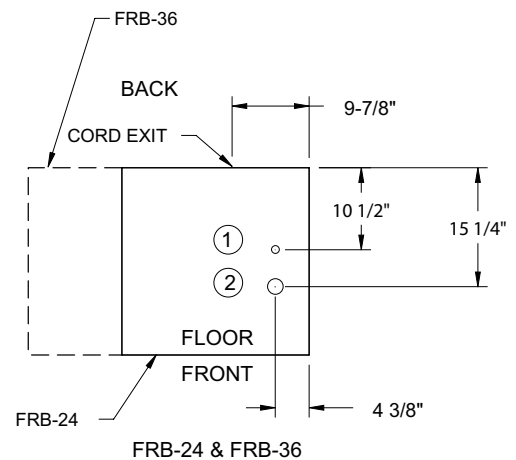
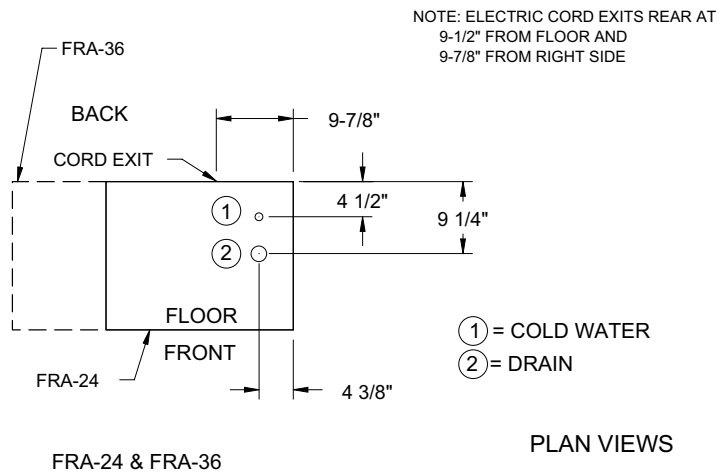
PLAN VIEWS

SIDE ELEVATION



PLAN VIEWS

SIDE ELEVATION



MECHANICALS