



RESOURCES

# Food Truck Wash Station

## Food Truck



Use your smart phone to scan the above QR code to visit our website:  
[www.bk-resources.com](http://www.bk-resources.com)

### Certifications:



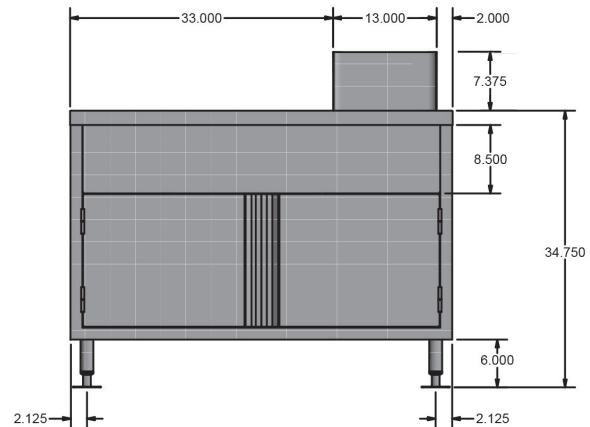
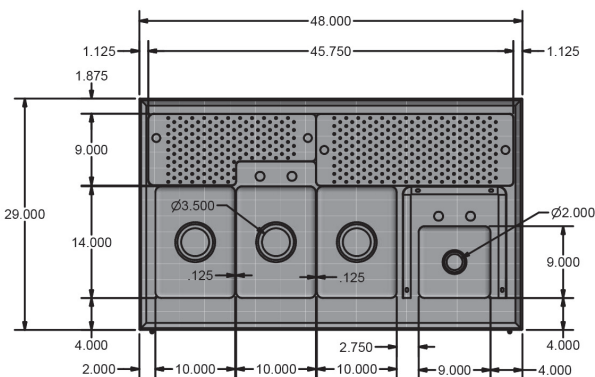
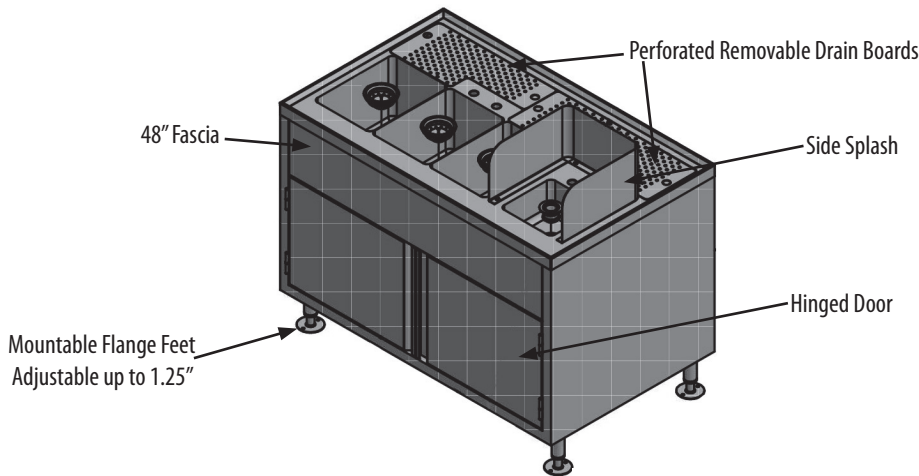
### Features:

- Three Compartment Sink & Hand Washing Sink with Side Splashes All in One Station
- Perforated Removable Drain Board
- Mountable Flange Feet Adjustable up to 1.25"
- Hinged Doors to Access Storage
- Storage Space: 27"l x 44<sup>3/4</sup>"w x 16"h to bottom of bowls (drains will affect spacing)

### Material:

- 14 ga. Stainless Steel Top
- 18 ga. Stainless Steel Body
- Stainless Steel Legs

Part Number	Overall Dim. (l x w x h)	Bowl Size 3 Comp Sink (lxwxh)	Bowl Size Hand Sink (lxwxh)
FTWS-4829L	29" x 48" x 42 <sup>1/8</sup> "	10" x 14" x 10"	9" x 9" x 5"



PRODUCT DATA SHEET

RESOURCES

