



A JohnsonDiversey Company



GL-C

Chemical Sanitizing
Undercounter
Glasswasher

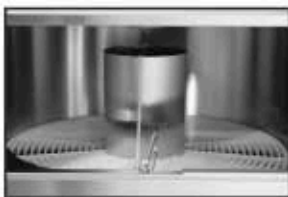
Item. # _____

Spec. # _____



FEATURES:

- Cleans and sanitizes up to 1000 2-1/2" glasses per hour.
- Hands-free glass activated on/off stop is safe and convenient.
- Independent upper and lower wash and rinse arms ensure superior results, every time.
- Built-in 3kW electric tank heater maintains the recirculated wash water to the recommended 140°F wash temperature.
- Compatible with both Iodine and Chlorine sanitizers.
- Simple controls for operation and cleaning.
- All stainless steel construction assures trouble free service and a long life.
- Adjustable rinse temperature allows flexible sanitizing options.
- Poly Pro™ circular conveyor is extremely durable and reduces chipping and breakage of glassware.
- Double wall construction for quiet back bar operation.
- Internal chemical storage.
- Built-in chemical pumps with primer switches.



Stainless steel wash/rinse chamber.



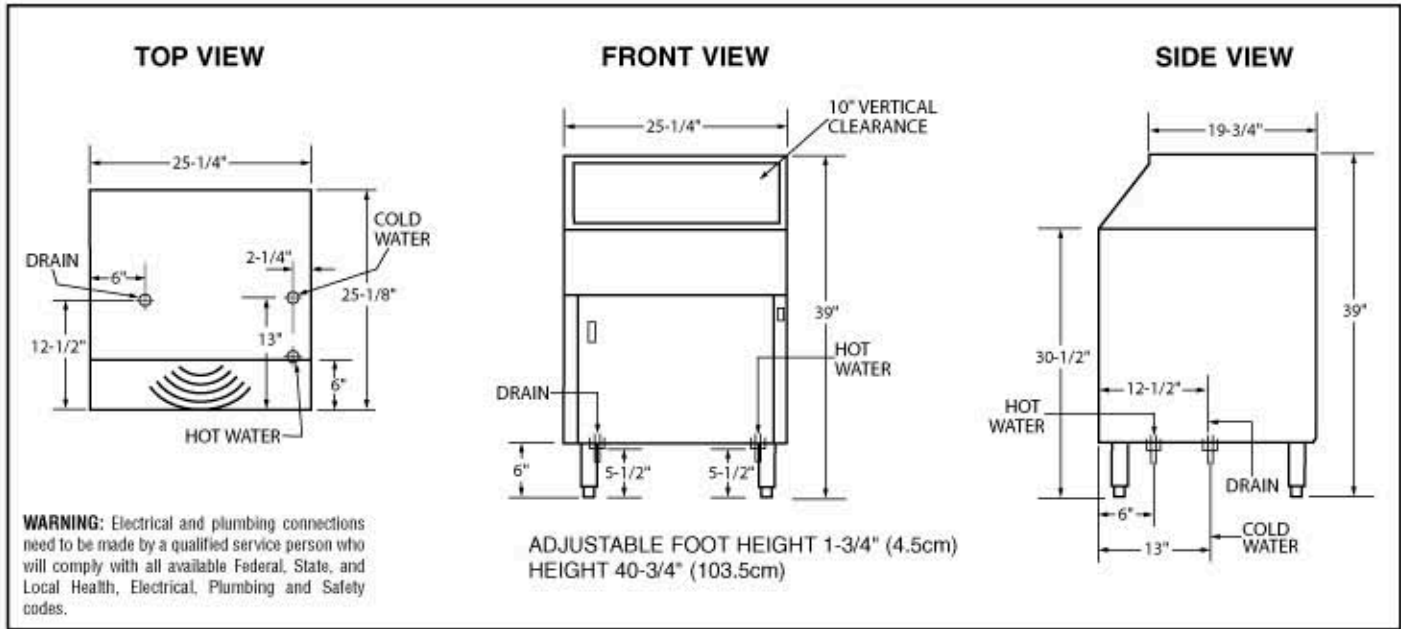
Independent spray arms blast water from the top and bottom for optimum cleaning, sanitizing and rinsing.



Interior controls provide easy access for changing chemical settings and service.

A/A # _____

A JohnsonDiversey Company



Spec. #

Specifications:

MODEL GL-C	USA	METRIC	USA	METRIC
OPERATING CAPACITY (2-1/2") GLASSES PER HOUR	1000	-		
OPERATING TEMPERATURES INLET WATER. (HOT) RECOMMENDED INLET WATER. (COLD)	140°F 75°F	(60°C) (24°C)		
WATER CONSUMPTION HOT WATER (INITIAL FILL) HOT WATER PER HOUR (MAX) COLD WATER PER HOUR	3 GAL 12 GAL 168 GAL	(11.25 L) (45.42 L) (636 L)		
WATER REQUIREMENTS HOT WATER INLET COLD WATER INLET DRAIN (MAX)	1/2" 1/2" 1-1/2"	- - -		
DIMENSIONS DEPTH WIDTH HEIGHT MAXIMUM CLEARANCE FOR GLASSWARE			25-1/8" 25-1/4" 39"-40" 10"	(63.8cm) (64.1cm) (99.1-101.6cm) (25.4cm)
ELECTRICAL RATING			VOLTS 208-230/60/1	AMPS 15
TANK HEATER				3kW
SHIPPING WEIGHT APPROXIMATE			156#	(71kg)

Summary Specifications: Model GL-C

The GL-C glasswasher is designed to produce sparkling clean glassware utilizing separate detergent, sanitizer and rinse aid chemical pumps. Standard features include upper and lower wash/rinse arms, wash tank heater, Poly Pro™ conveyor, splash curtains, double-walled construction, and storage space for three 1-gallon containers. The GL-C is constructed for extended life out of heavy gauge welded stainless steel.

Available Options

- Drain tray and waste collector.

AIA #