



# Logix3 Series

## hotLOGIX HEATED HOLDING CABINETS

(insulated aluminum with mechanical controls)

CARTER-HOFFMANN



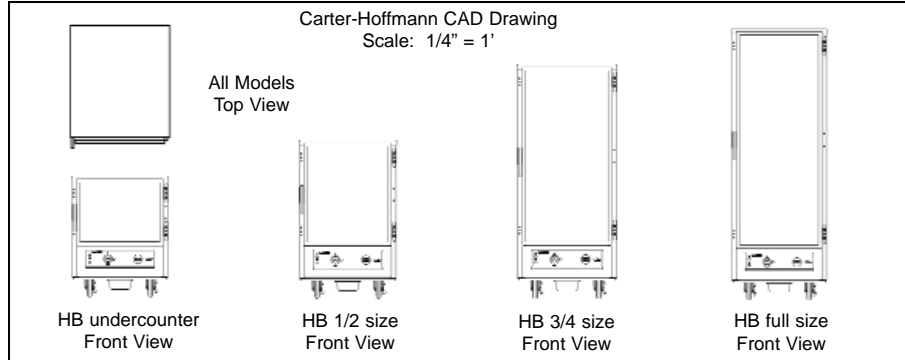
FOOD SERVICE EQUIPMENT  
HOLDING CABINETS

# SPECIFICATIONS

Printed in U.S.A. E73 1110  
Carter-Hoffmann is a trademark  
of Carter-Hoffmann LLC



HBU18A1GM



Carter-Hoffmann CAD Drawing  
Scale: 1/4" = 1'

All Models  
Top View

HB undercounter  
Front View

HB 1/2 size  
Front View

HB 3/4 size  
Front View

HB full size  
Front View

Model Number	Pan/Tray Capacity		Spacing		Inside Working Height		Overall Dimensions						Caster Diameter		Shipping Weight	
	12"x20"	18"x26"	in	mm	in	mm	Height		Depth		Width		in	mm	lbs	kg
<input type="checkbox"/> HBU5A1GM	10	5	3	76	15 <sup>1</sup> / <sub>4</sub>	387	31 <sup>5</sup> / <sub>8</sub>	803	31 <sup>1</sup> / <sub>2</sub>	800	26 <sup>1</sup> / <sub>2</sub>	673	5	127	113	51
<input type="checkbox"/> HBC10A1GM	-	10	1 <sup>1</sup> / <sub>2</sub>	38	15 <sup>1</sup> / <sub>4</sub>	387	31 <sup>5</sup> / <sub>8</sub>	803	31 <sup>1</sup> / <sub>2</sub>	800	26 <sup>1</sup> / <sub>2</sub>	673	5	127	100	45
<input type="checkbox"/> HBF5A1GM	10	5	3	76	15 <sup>1</sup> / <sub>4</sub>	387	31 <sup>5</sup> / <sub>8</sub>	803	31 <sup>1</sup> / <sub>2</sub>	800	26 <sup>1</sup> / <sub>2</sub>	673	5	127	104	47
<input type="checkbox"/> HBU8A1GM	16	8	3	76	24 <sup>1</sup> / <sub>4</sub>	616	40 <sup>5</sup> / <sub>8</sub>	1032	31 <sup>1</sup> / <sub>2</sub>	800	26 <sup>1</sup> / <sub>2</sub>	673	5	127	159	72
<input type="checkbox"/> HBC16A1GM	-	16	1 <sup>1</sup> / <sub>2</sub>	38	24 <sup>1</sup> / <sub>4</sub>	616	40 <sup>5</sup> / <sub>8</sub>	1032	31 <sup>1</sup> / <sub>2</sub>	800	26 <sup>1</sup> / <sub>2</sub>	673	5	127	141	64
<input type="checkbox"/> HBF8A1GM	16	8	3	76	24 <sup>1</sup> / <sub>4</sub>	616	40 <sup>5</sup> / <sub>8</sub>	1032	31 <sup>1</sup> / <sub>2</sub>	800	26 <sup>1</sup> / <sub>2</sub>	673	5	127	147	67
<input type="checkbox"/> HBU14A1GM	28	14	3	76	42 <sup>1</sup> / <sub>4</sub>	1073	58 <sup>5</sup> / <sub>8</sub>	1489	31 <sup>1</sup> / <sub>2</sub>	800	26 <sup>1</sup> / <sub>2</sub>	673	5	127	183	83
<input type="checkbox"/> HBC28A1GM	-	28	1 <sup>1</sup> / <sub>2</sub>	38	42 <sup>1</sup> / <sub>4</sub>	1073	58 <sup>5</sup> / <sub>8</sub>	1489	31 <sup>1</sup> / <sub>2</sub>	800	26 <sup>1</sup> / <sub>2</sub>	673	5	127	163	74
<input type="checkbox"/> HBF14A1GM	28	14	3	76	42 <sup>1</sup> / <sub>4</sub>	1073	58 <sup>5</sup> / <sub>8</sub>	1489	31 <sup>1</sup> / <sub>2</sub>	800	26 <sup>1</sup> / <sub>2</sub>	673	5	127	170	77
<input type="checkbox"/> HBU18A1GM	36	18	3	76	54 <sup>1</sup> / <sub>4</sub>	1378	70 <sup>5</sup> / <sub>8</sub>	1794	31 <sup>1</sup> / <sub>2</sub>	800	26 <sup>1</sup> / <sub>2</sub>	673	5	127	235	107
<input type="checkbox"/> HBC36A1GM	-	36	1 <sup>1</sup> / <sub>2</sub>	38	54 <sup>1</sup> / <sub>4</sub>	1378	70 <sup>5</sup> / <sub>8</sub>	1794	31 <sup>1</sup> / <sub>2</sub>	800	26 <sup>1</sup> / <sub>2</sub>	673	5	127	205	93
<input type="checkbox"/> HBF18A1GM	36	18	3	76	54 <sup>1</sup> / <sub>4</sub>	1378	70 <sup>5</sup> / <sub>8</sub>	1794	31 <sup>1</sup> / <sub>2</sub>	800	26 <sup>1</sup> / <sub>2</sub>	673	5	127	218	99

**CONSTRUCTION...**Welded & riveted double wall, insulated cabinet construction with cabinet welded to base.

**CABINET MATERIAL...**All aluminum interior and exterior double wall, insulated construction; .063 aluminum exterior with 2V finish.

**BASE FRAME...** .125 natural aluminum

**CASTERS...**5" diameter casters with rubber tread. Four swivel casters. Two casters fitted with brakes.

**DOOR...**Single panel tempered glass door set in extruded aluminum frame. Field reversible. Full width aluminum drip trough with 1/2" drain located at base of door. Removable plastic catch pan mounted under base of cabinet. High temperature santoprene gasket mounted to door.

**HINGES...**Adjustable edge mount hinges with chrome plate finish.

**LATCH...**Heavy-duty edge mount latch with magnetic catch.

**INSULATION...** 1" thick high density continuous wrap-around insulation in sides and top.

**TRAY RACK ASSEMBLIES...** Three slide styles with removable assemblies.

**HBU:** Universal 16 gauge stainless steel slides, removable and fully adjustable at 1-1/2" spacing. Standard spacing at 3" centers. Hold 18"x26" sheet pans, 12"x20" steam table pans, 2/1 or 1/2 GN pans.

**HBF:** Universal wire slide at fixed spacing of 3". Assemblies removable. Hold 18"x26" sheet pans, 12"x20" steam table pans, 2/1 or 1/2 G/N pans

**HBC:** Fixed stainless steel angle slides on 1-1/2" centers hold 18"x26" sheet pans.

**THERMOMETER...**Digital thermometer with remote sensing bulb and sensing bulb protector. Displays temperature in one degree increments.

**CONTROLS...**Single dial for heat setting.

**WATER RESERVOIR...**Bottom mounted stainless steel water reservoir is part of heater assembly. Passive evaporative humidification provided. Manual fill. Capacity 2.5 quarts.

**HEATING SYSTEM...**Bottom mounted heater with one 1700 watt coiled incoloy-sheathed heating element. High impedance protected fan motor. Blower fan circulates air. Full range thermostat and on/off switch with power indicating light. Dial control for heat settings.

**ELECTRICAL CHARACTERISTICS...** Operates on 120 volts, 60 cycle, single phase, 1750 watts, 15 amps. Eight foot rubber cord with 3 prong grounding plug. NEMA 5-20P.

**PERFORMANCE...**Capable of heating to 190°F (88°C). Preheat to 160°F (71°C) in approximately 30 minutes.

**ACCESSORIES/OPTIONS...**

- Menu card holder (solid door units only)
- Solid aluminum door with black anodized finish on interior and exterior-replace "G" with "X" in model number
- Extra slide pairs (HWU units only)



Energy Star on all cabinets except under-counter height HBU5A1GM, HBC10A1GM & HBF5A1GM

Specifications subject to change through product improvement & innovation.



**CARTER-HOFFMANN**  
1551 McCormick Ave., Mundelein, IL 60060  
(847) 362-5500 • (800) 323-9793 • Fax (847) 367-8981  
[www.carter-hoffmann.com](http://www.carter-hoffmann.com)

# FEATURES & BENEFITS

## Logix3 Series hotLOGIX HEATED HOLDING CABINETS (insulated aluminum with mechanical controls)

*Since 1947, Foodservice Equipment That Delivers!*

**PRECISION ENGINEERED HEAT DUCT SYSTEM...** Heat duct provides even and efficient heating throughout the entire cabinet for safe and consistent results.

**FOUR SIZES...** Logix3 series cabinets are available in under-counter (31-5/8" high), 1/2 size (40-5/8" high), 3/4 size (58-5/8" high) and full size (70-5/8" high).



**HBF18A1GM**  
(full size cabinet)

**FIELD REVERSIBLE DOOR(S)...** Single pane tempered glass door for easy viewing of cabinet contents, with magnetic door latch and heavy-duty hinges. Full perimeter silicone gasket attached to door for best seal.

**EASY-TO-USE DIAL CONTROL...** Simple analog dial for heat setting and master on/off switch. Temperature range of 85°F to 190°F. Recessed angle control panel with easy to read digital thermometer.



**THREE SLIDE STYLES...** with removable assemblies.

**HBU:** Universal 16 gauge stainless steel slides, removable and fully adjustable at 1-1/2" spacing. Standard spacing at 3" centers. Hold 18"x26" sheet pans, 12"x20" steam table pans, 2/1 or 1/2 GN pans.



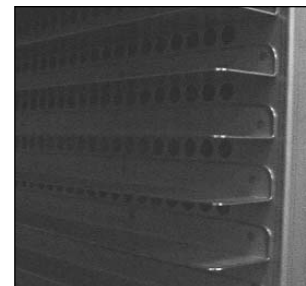
HBU adjustable universal slides

**HBF:** Universal wire slide at fixed spacing of 3". Assemblies removable. Hold 18"x26" sheet pans, 12"x20" steam table pans, 2/1 or 1/2 G/N pans



HBF universal wire slides

**HBC:** Fixed stainless steel angle slides on 1-1/2" centers hold 18"x26" sheet pans.



HBC fixed angle slides

1551 McCormick Avenue, Mundelein, Illinois 60060  
Tel. (847) 362-5500 • (800) 323-9793 • Fax (847) 367-8981  
www.carter-hoffmann.com



Energy Star on all cabinets except under-counter height HBU5A1GM, HBC10A1GM & HBF5A1GM