



Heater Proofer Cabinet

Half & Full Size Heater Proofers



Use your smart phone to scan the above QR code to visit our website:
www.bk-resources.com

Certifications:



Features:

- Fits 18" x 26" Pans
- 270° swing door
- Door lifts off for easy cleaning
- LED Thermostat
- Dual Heat/Proof Control
- Proof Mode: Humidity from 30% to 95%
Temperature up to 115°F
- Heat Mode: Temperatures up to 185°F

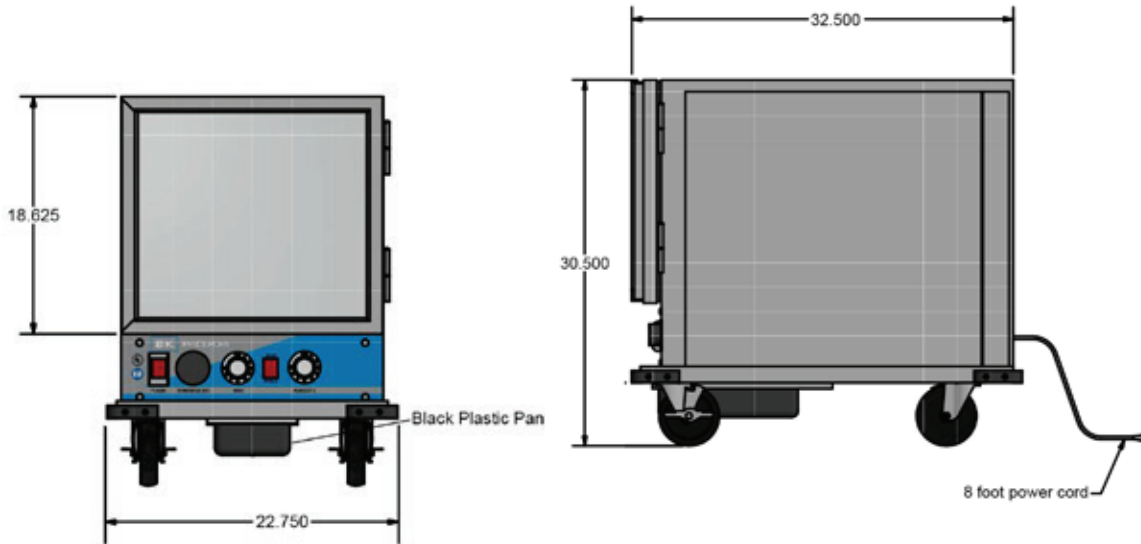


Typical Outlet NEMA 5-15
 120V, 15 Amp



Part Number	Power	Size (l x w x d)	Capacity
HPC2N	1500 Watts	22.75" x 32.5" x 30.5"	10 Pans

Interior Dimensions of Cabinet:
 18.250" Wide X 15.875" Tall X 27.250" Deep
 10 Pan Capacity, 1.438" b/w Pan Levels



PRODUCT DATA SHEET

BK RESOURCES

