



**John
BOOS**
Since 1887

ITEM #: _____ QTY: _____
 MODEL #: _____
 PROJECT NAME: _____

090618

3601 S. Banker St. Effingham, IL 62401 • P.O. BOX 609 • Ph: (888) 431-2667 • Fax: (800) 433-2667

"3B-1D" "B-SERIES" SINKS



FEATURES:

- 16GA STAINLESS STEEL
- TYPE 300 STAINLESS STEEL WITH #4 POLISH, SATIN FINISH
- 14" DEEP BOWLS
- ALL CORNERS, BOTH VERTICAL AND HORIZONTAL, COVERED AT 3/4" RADIUS
- BOTTOMS OF BOWLS FORMED FOR DRAINAGE TO 3-1/2" DIAMETER DIE STAMPED OPENING
- FULL LENGTH **10" HIGH BOXED BACKSPLASH**, WITH 2" RETURN TO WALL AT 45 DEGREE AND 1" TURNED DOWN REAR LIP
- 1" FAUCET HOLES IN BACKSPLASH
- ALL OUTSIDE CORNERS OF ASSEMBLY ARE BULLNOSED TO PROVIDE SAFE, CLEAN, AND POLISHED EDGE
- STANDARD STAINLESS STEEL LEGS 1-5/8" DIAMETER

CONSTRUCTION:

- TOP: STAINLESS STEEL SINKS ARE TIG WELDED, EXPOSED WELDS ARE POLISHED TO MATCH ADJACENT SURFACE
- BASE: STAINLESS STEEL BASES ARE MIG WELDED

MATERIAL:

- BOWLS & TOP: 16GA TYPE 300 STAINLESS STEEL WITH #4 POLISH, SATIN FINISH
- LEGS: 1-5/8" ROUND O.D. STAINLESS STEEL
- BRACING: 1-1/4" ROUND O.D. STAINLESS STEEL
- GUSSETS: STAINLESS STEEL
- FEET: 1" ADJUSTABLE STAINLESS STEEL BULLET FEET

STANDARD 16GA "3B-1D" SINK

MODEL	QTY
3B16204-1D18L	
3B16204-1D18R	
3B184-1D18L	
3B184-1D18R	
3B18244-1D18L	
3B18244-1D18R	
3B244-1D24L *	
3B244-1D24R *	

* WITH TWO SETS OF FAUCET HOLES

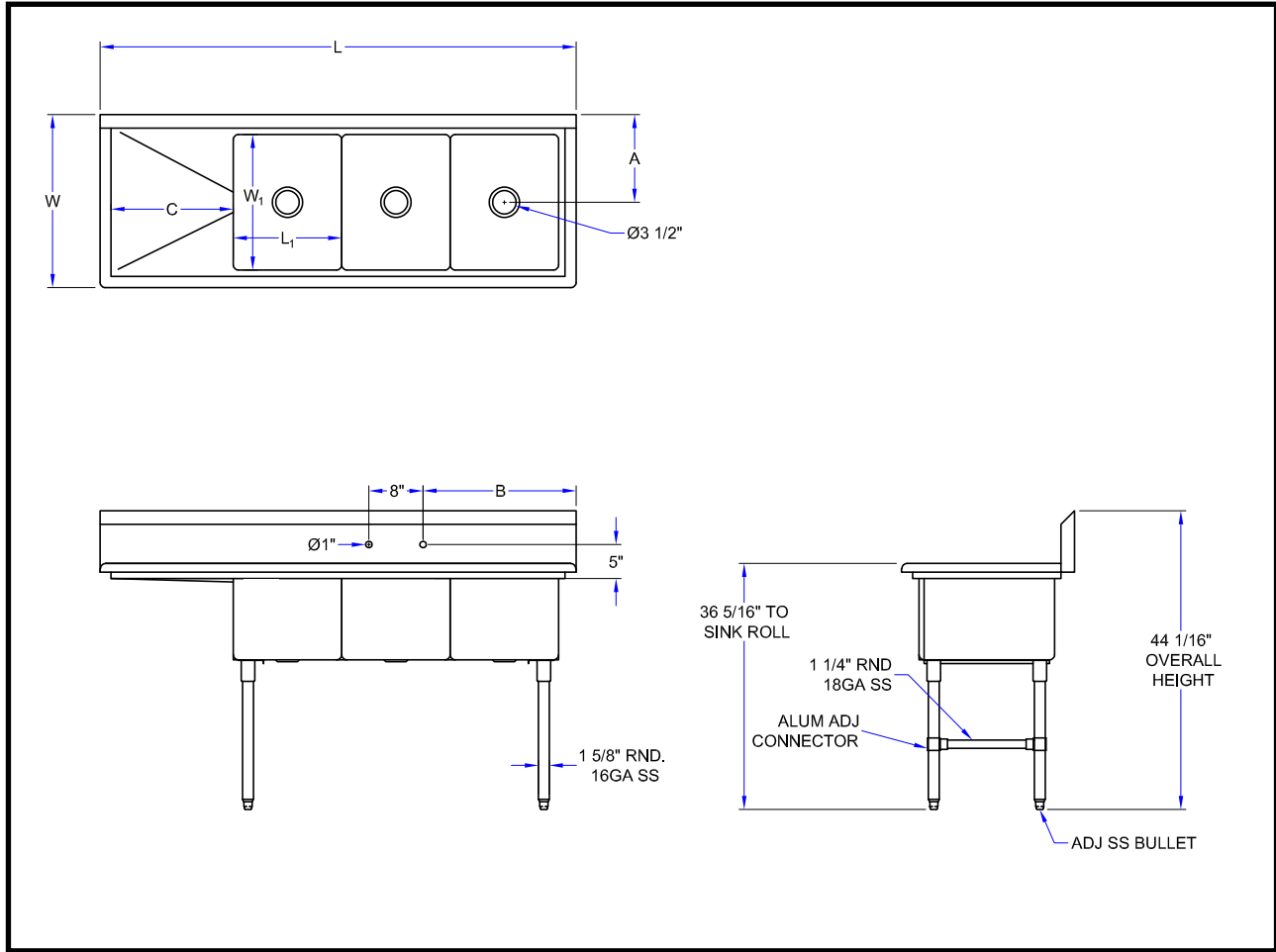
OPTIONAL ACCESSORIES

DESCRIPTION	QTY
FAUCETS	
ADD-A-FAUCETS	
PRE-RINSE UNITS	
LEVEL WASTE	
OVERSHELVES	
POT RACK	



3B1824-1D18R
(Model showing one set of faucet holes.)

DETAILED SPECIFICATIONS



16GA - "3B-1D" "B-SERIES" SINK

14" DEEP	L	W	L1	W1	A	B	C
3B16204-1D18L	70-3/16"	23-1/2"	16"	20"	11-15/16"	22-9/16"	18"
3B16204-1D18R	70-3/16"	23-1/2"	16"	20"	11-15/16"	22-9/16"	18"
3B184-1D18L	76-3/16"	23-1/2"	18"	18"	11-15/16"	25-9/16"	18"
3B184-1D18R	76-3/16"	23-1/2"	18"	18"	11-15/16"	25-9/16"	18"
3B18244-1D18L	76-3/16"	29-1/2"	18"	24"	14-15/16"	25-9/16"	18"
3B18244-1D18R	76-3/16"	29-1/2"	18"	24"	14-15/16"	25-9/16"	18"
3B244-1D24L *	100-3/16"	29-1/2"	24"	24"	14-15/16"	22-9/16"	24"
3B244-1D24R *	100-3/16"	29-1/2"	24"	24"	14-15/16"	22-9/16"	24"

* WITH TWO SETS OF FAUCET HOLES

SOME UNITS SHIP UNASSEMBLED FOR REDUCED SHIPPING COST. ALL DIMENSIONS ARE TYPICAL. TOLERANCE +/- .500"

John Boos & Co. is constantly engaged in a program of improving products and therefore reserves the right to change specifications without prior notice.



3601 S. Banker St. • Effingham, IL 62401 • PO BOX 609 • quotes@johnboos.com

072919

Boos
lock

AQ AutoQuotes

www.johnboos.com

153