



**John
BOOS**
Since 1887

ITEM #: _____ QTY: _____
 MODEL #: _____
 PROJECT NAME: _____

123019

3601 S. Banker St. Effingham, IL 62401 • P.O. BOX 609 • Ph: (888) 431-2667 • Fax: (800) 433-2667

"4PB" PRO-BOWL COMPARTMENT SINKS 16GA

4 COMPARTMENT - STAINLESS STEEL BASE



FEATURES:

- STANDARD 16GA TYPE 300 STAINLESS STEEL WITH #4 POLISH, SATIN FINISH
- 12" & 14" DEEP BOWLS
- ALL CORNERS, BOTH VERTICAL AND HORIZONTAL, COVERED AT 5/8" RADIUS
- BOTTOMS OF BOWLS FORMED FOR DRAINAGE TO 3-1/2" DIAMETER DIE STAMPED OPENING
- FULL LENGTH **10" HIGH BOXED BACKSPLASH**, WITH 2" RETURN TO WALL AT 45 DEGREE AND 3/4" TURNED DOWN REAR LIP
- 2 SETS OF FAUCET HOLES 8" ON-CENTER
- 1" FAUCET HOLES IN BACKSPLASH
- SOLID STAINLESS STEEL FRONT PANEL, TYPE 300 STAINLESS STEEL WITH #4 POLISH, SATIN FINISH
- ALL OUTSIDE CORNERS OF ASSEMBLY ARE BULLNOSED TO PROVIDE SAFE, CLEAN, AND POLISHED EDGE

MATERIAL:

- BOWLS & TOP: 16GA TYPE 300 STAINLESS STEEL WITH #4 POLISH, SATIN FINISH
- LEGS: 1-5/8" ROUND O.D. STAINLESS STEEL
- BRACING: 1-1/4" ROUND O.D. STAINLESS STEEL
- GUSSETS: STAINLESS STEEL
- FEET: 1" ADJUSTABLE STAINLESS STEEL BULLET FEET



CONSTRUCTION:

- TOP: STAINLESS STEEL SINKS ARE TIG WELDED, EXPOSED WELDS ARE POLISHED TO MATCH ADJACENT SURFACE
- BASE: STAINLESS STEEL BASES, STANDARD K.D.

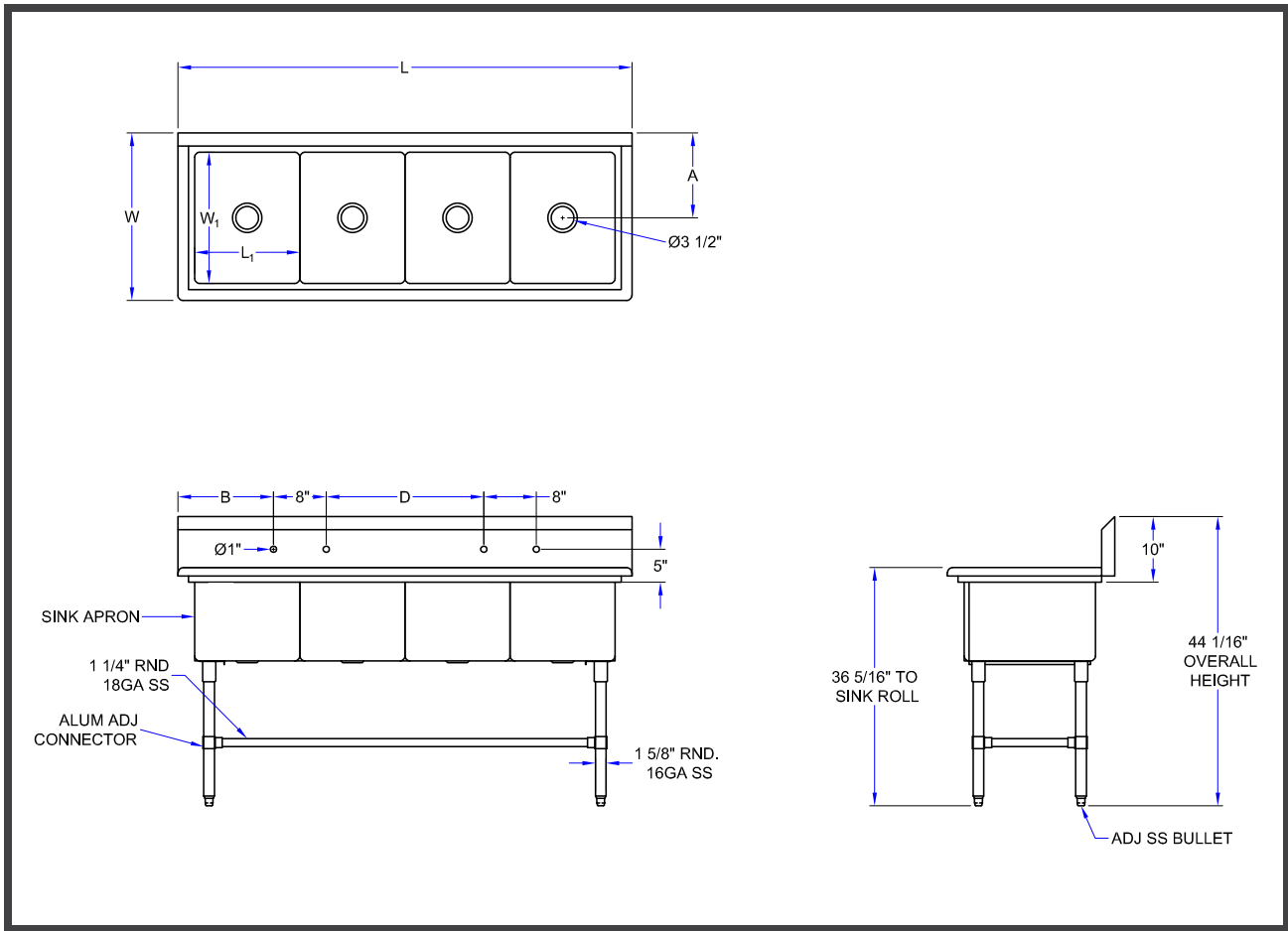
16GA - "4PB" PRO-BOWL COMPARTMENT SINKS

12" DEEP	QTY	14" DEEP	QTY
4PB1618		4PB16184	
4PB1620		4PB16204	
4PB18		4PB184	
4PB1824		4PB18244	
4PB20		4PB204	
4PB24		4PB244	
4PB3024		4PB30244	

OPTIONAL ACCESSORIES

DESCRIPTION	QTY
END SPLASHES, R, L, OR BOTH	
FAUCETS	
ADD-A-FAUCETS	
PRE-RINSE UNITS	
LEVEL WASTE	
OVERSHELVES	
POT RACK	

DETAILED SPECIFICATIONS



16GA - "4PB" PRO-BOWL SERIES SINK

12" DEEP	14" DEEP	L	W	L1	W1	A	B	D
4PB1618	4PB16184	69-1/8"	23-1/2"	16"	18"	11-15/16"	14-9/16"	24"
4PB1620	4PB16204	69-1/8"	25-1/2"	16"	20"	12-15/16"	14-9/16"	24"
4PB18	4PB184	77-1/8"	23-1/2"	18"	18"	11-15/16"	16-9/16"	28"
4PB1824	4PB18244	77-1/8"	29-1/2"	18"	24"	14-15/16"	16-9/16"	28"
4PB20	4PB204	85-1/8"	25-1/2"	20"	20"	12-15/16"	18-9/16"	32"
4PB24	4PB244	101-1/8"	29-1/2"	24"	24"	14-15/16"	22-9/16"	40"
4PB3024	4PB30244	125-1/8"	29-1/2"	30"	24"	14-15/16"	28-9/16"	52"

SOME UNITS SHIP UNASSEMBLED FOR REDUCED SHIPPING COST. ALL DIMENSIONS ARE TYPICAL. TOLERANCE +/- .500"

John Boos & Co. is constantly engaged in a program of improving products and therefore reserves the right to change specifications without prior notice.



3601 S. Banker St. • Effingham, IL 62401 • PO BOX 609 • quotes@johnboos.com

123019



www.johnboos.com

692