



**John  
BOOS**  
Since 1887

ITEM #: \_\_\_\_\_ QTY: \_\_\_\_\_  
MODEL #: \_\_\_\_\_  
PROJECT NAME: \_\_\_\_\_

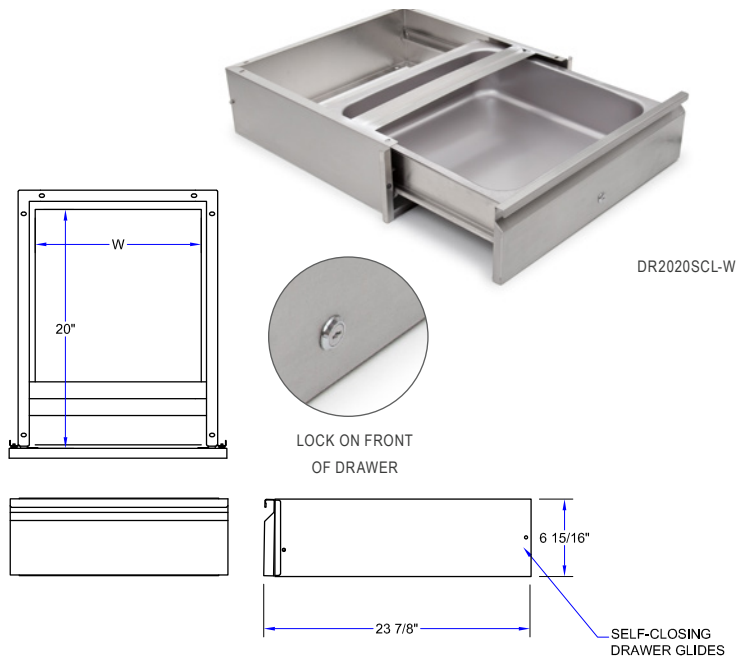
091018

3601 S. Banker St. Effingham, IL 62401 • P.O. BOX 609 • Ph: (888) 431-2667 • Fax: (800) 433-2667

## "DRSCL" ROLLER BEARING DRAWERS - STAINLESS STEEL SELF CLOSING W/ LOCK

### FEATURES:

- STAINLESS STEEL FRONT AND DRAWER PAN
- STAINLESS STEEL ROLLER BEARING SLIDES
- SELF CLOSING & LOCKING DRAWER



### ROLLER BEARING DRAWERS - STAINLESS STEEL

WOOD TOP / SBO & SBS TABLES	QTY	STAINLESS STEEL TOP / POLY TOP TABLES	QTY	DESCRIPTION	WIDTH	DEPTH	WEIGHT (LBS)
DR2015SCL-W		-		FOR WOOD TOP TABLES	15"	20"	21
-		DR2015SCL-S24		FOR S/S AND POLY TOP TABLES 24" WIDE	15"	20"	21
-		DR2015SCL-S30		FOR S/S AND POLY TOP TABLES 30" WIDE	15"	20"	21
-		DR2015SCL-S36		FOR S/S AND POLY TOP TABLES 36" WIDE	15"	20"	21
DR2020SCL-W		-		FOR WOOD TOP TABLES	20"	20"	26
-		DR2020SCL-S24		FOR S/S AND POLY TOP TABLES 24" WIDE	20"	20"	26
-		DR2020SCL-S30		FOR S/S AND POLY TOP TABLES 30" WIDE	20"	20"	26
-		DR2020SCL-S36		FOR S/S AND POLY TOP TABLES 36" WIDE	20"	20"	26

SOME UNITS SHIP UNASSEMBLED FOR REDUCED SHIPPING COST. ALL DIMENSIONS ARE TYPICAL. TOLERANCE +/- .500"

John Boos & Co. is constantly engaged in a program of improving products and therefore reserves the right to change specifications without prior notice.