

# MENUMASTER<sup>®</sup> Commercial

Project #: \_\_\_\_\_

Item #: \_\_\_\_\_



Model JET19V shown

## High Speed Combination Oven Menumaster<sup>®</sup> Commercial Jetwave<sup>™</sup> Model JET19V

### Power Output

- Convection:
  - 2700 W
  - 150° - 475° F (65° - 250° C) temperature range
  - Convected air for enhanced toasting and browning
- Microwave:
  - 1900 W
  - Heats quickly, reduces cooking time

### Cuts Costs

- No need for costly ventilation hood - catalytic convertor filters grease and odors from the air. Integrated recirculating catalytic converter.
- Uses less energy than a conventional oven.
- Eliminates need for pre-cooking and holding.
- Uses quarter size metal trays, pans and screens.

### Simplifies Cooking

- Touch pad operation for consistent results.
- Controls are intuitive and simple to use.
- Stores up to 100 menu items.
- Four stage cooking option.
- USB Port compatible with standard flash drives, updates programming in seconds.
- 1.2 cubic ft. (34 liter) oven capacity.
- Door opens 90°+ for full access to the oven cavity.
- Single rack position for optimal and consistent cooking results.

### Easy to Use and Maintain

- Stainless steel door and interior.
- Removable, cleanable air filter and clean filter reminder protect oven components.
- Backed by the ACP, Inc. 24/7 ComServ Support Center 866-426-2621.

### Heavy Volume | Combination Cooking

This category of combination oven is ideal for...

#### Application:

- Wine bars
- Pubs
- Kiosks
- Supermarkets
- Country club,
- Bakery/cafés
- Convenience stores

#### Location of oven(s):

- Kitchen shelf
- Kitchen countertop, single or stacked
- Equipment stand, single or stacked

All ACP, Inc. commercial ovens are backed by our Culinary Center. Call us with any question regarding food preparation, menu development and cooking times. 866-426-2621.

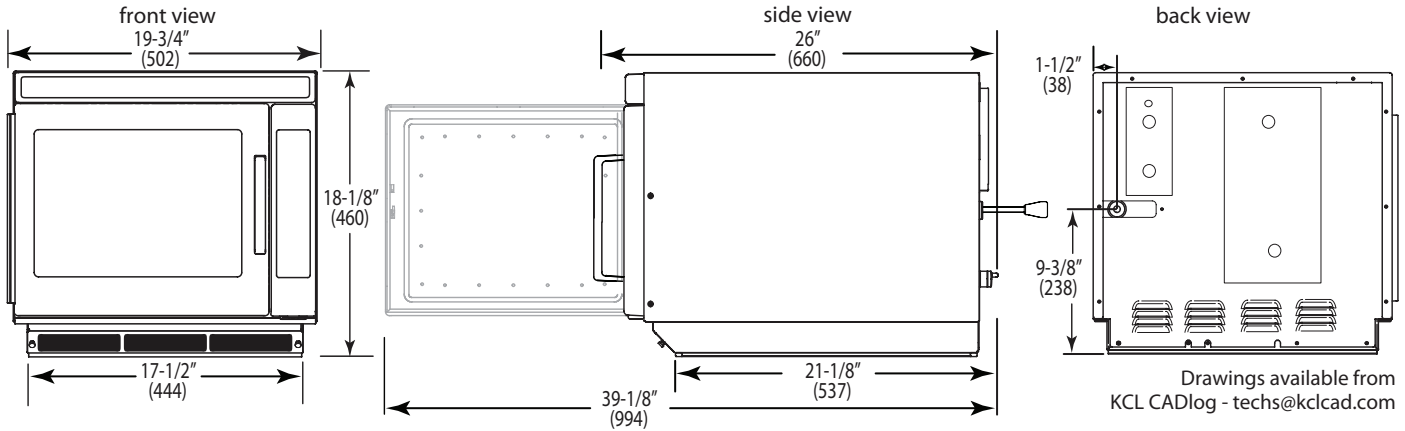


A/A File #:

Specification #:




# MenuMaster® Commercial Jetwave™ Model JET19V | High Speed Combination Oven



Specification #:

## Specifications

Model	JET19V	UPC Code TBD
Cooking Power*	2700W	1900W
	Convection	Microwave
Configuration	Countertop	
Control System	Touch	
Programmable Control Pads	10	
Total Programmable Settings	100	
Power Levels	11	
Max. Cooking Time	20:00	
Stackable	Yes	
Time Entry Option	Yes	
Microwave Distribution	Rotating antennas, top	
Magnetrons	2	
Display	LED-backlit LCD	
Stage Cooking	Yes, 4	
Door Opening	Grab & Go	
Automatic Voltage Sensor	Yes	
USB Port	Yes	
Temperature Range	150° - 475° F (70° - 250° C)	
Air Filter	Yes, removable, with clean filter reminder	
Rack	1 rack position, removable	
Exterior Dimensions	H 18 1/8" (460)	W 19 3/4" (502) D** 26" (660)
Cavity Dimensions	H 10 1/2" (267)	W 13" (330) D 15" (381)
Door Depth	39 1/8" (994), 90°+ door open	
Usable Cavity Space	1.2 cubic.ft. (34 liter)	
Exterior Finish	Powder Coat	
Interior Finish	Stainless steel	
Power Consumption	5400 W, 26 A	
Power Output*	1900 W* Microwave	
Power Source	208 - 240 V, 60 Hz, 30 A single phase	
Plug Configuration / Cord	NEMA 6-30	5 ft. (1.5 m) 
Frequency	2450 MHz	
Product Weight	95 lbs. (43 kg.)	
Ship weight (approx.)	102 lbs. (46 kg.)	
Shipping Carton Size	H 28 1/4" (718)	W 21 3/4" (553) D 21 1/2" (546)

## Specifications

Oven shall combine two cooking modes: convection and microwave for high speed cooking. Control panel shall be programmable with the ability to program up to 100 menu items, single or double digit entry. Programs shall be automatically updated using a USB Port that is compatible with standard USB flash drives. There shall be 11 power levels and 4 cooking stages. Microwave output shall be 1900 watts and distributed from the top of the cavity. An automatic voltage sensor shall accommodate both 208 and 240 volts. The 2700 watt convection oven shall provide a temperature range from 150° - 475° F (70° - 250° C) in 25° increments. The convection fan located in the back of the cavity shall distribute the heat throughout the cavity to further enhance browning. Maximum microwave cooking time shall be 20 minutes. Oven shall have a powder coat exterior. 1.2 cubic ft. (34 liter) oven cavity shall be stainless steel construction with stainless oven door. Interior shall have 1 rack position. Air filter shall be easily accessible and removable from the front of the oven and have a "clean filter" reminder feature. Oven shall be stackable. Microwave oven shall comply with standards set by the U.S Department of Health and Human Services, and ETL listed for safety and sanitation.

## Optional Accessories

- Pizza stone
- Drip tray
- Oven paddle

## Warranty

Warranty Certificate for this product can be found on the ACP, Inc. website at:

[www.acpsolutions.com/warranty](http://www.acpsolutions.com/warranty)



## Service

All products are backed by the ACP, Inc. 24/7 ComServ Support Center.



AIA File #:

Measurements in ( ) are millimeters

\* IEC 60705 Tested \*\* Includes handle

