

SCOTSMAN

TOUCHFREE® AIR COOLED CUBELET ICE MAKER / DISPENSER

New!

MDT2C12

24 HOUR ICE PRODUCTION

Based on Air/Water Temperatures	Air-Cooled	
	70°/50° lbs./kg.	ARI 90°/70° lbs./kg.
MDT2C12	273/124	198/90



YOU'LL VALUE OUR IMPROVED TOUCHFREE® ICE MAKER / WATER DISPENSERS

- Sleek, high-tech styled design with durable plastic front and top panels.
- Extremely quiet operation, ideal for hospital floors, cafeterias and offices.
- Plastic chute easily removed for sterilization
- TouchFree actuation provides convenient one-hand operations and eliminates the risk of cross contamination.
- Flexible utility location.
- Makes & dispenses cubelet ice, which is a harder, slow-melting ice form that allows for more reliable and easier dispensing.
- Bigger sink allowing more clearance for larger containers.

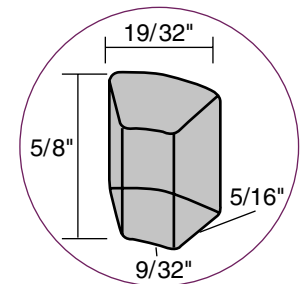
WARRANTY See your dealer for complete warranty details.

- 2 years parts on all components.
- 2 years labor on all components.
- 5 years parts on compressor.



LIGHTED KEY-PAD FOR DISPENSING SELECTION

Select either ice-only, ice and water, water only, or dispensing for pitchers with simple touch of a button.



CUBELET ICE

Hard, slow-melting ice that allows for more reliable dispensing.



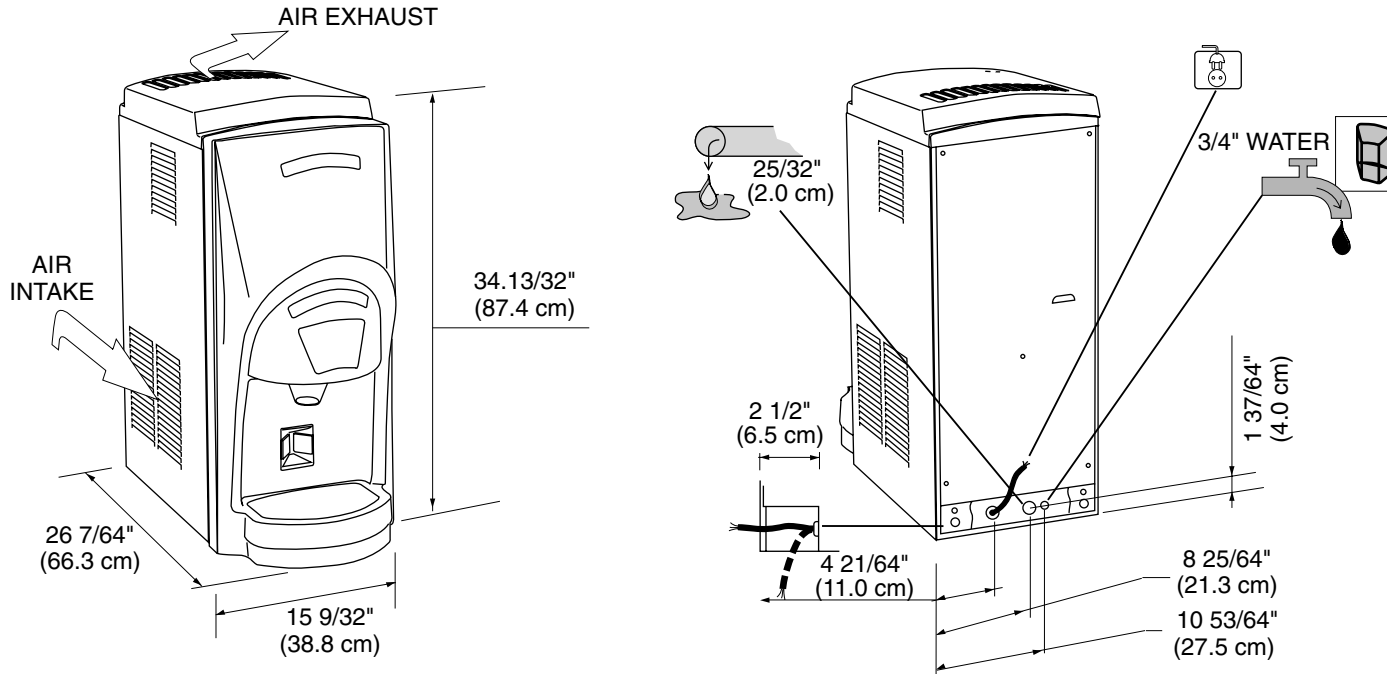
Scotsman is proud to announce that we are ISO-9001:2000 Certified

This product qualifies for the following listings:



Scotsman®

Ice Maker/Dispenser Specifications



INSTALLATION NOTE: Allow 6" minimum space at left side, top and back for ventilation and utility connections.

All models: Dimensions: W x D x H Unit: 15⁹/₃₂" x 26⁷/₆₄" x 34¹³/₃₂" Shipping Carton: 18" x 28" x 36"

Model Number	Condenser Unit	Bin Cap. lbs./kg.	Basic Electrical Volts/Hz/Phase	Max. Fuse Size or HACR Circuit Breaker	Comp. HP	Circuit Wires	Total Load Amps	Shipping Weight lbs./kg.	Power Consumption KWH/100 lbs. 90°F/70° F	Water Usage Gallons/100 lbs.	
										Potable 90°F/70° F	Condenser 90°F/70° F
MDT2C12A-1A	AIR	12/5	115/60/1	15	3/8	2	6.0	161/73	13.0	24	-

All units with stainless steel finish, and plastic front and top panels.
Refrigerant: R-134A.

IMPORTANT OPERATING REQUIREMENTS:

	Minimum	Maximum
Air Temperatures	50°F (10°C)	100°F (37.7°C)
Water Temperatures	40°F (4.4°C)	100°F (37.7°C)
Water Pressures	20 PSIG	80 PSIG
Electrical Voltage	-5%	+10%

ICE VENDING CAPACITY

PEAK VENDS PER HOUR*

Model	Bin Storage lb./kg.	1 Hour Recovery Cap. lb./kg.	Number of Vends Per Hour from Full Bin + Recovery = Total Vends											
			2 fl. oz. Bin	2 fl. oz. Recovery	Total 2 fl. oz. Vends	4 fl. oz. Bin	4 fl. oz. Recovery	Total 4 fl. oz. Vends	6 fl. oz. Bin	6 fl. oz. Recovery	Total 6 fl. oz. Vends	8 fl. oz. Bin	8 fl. oz. Recovery	Total 8 fl. oz. Vends
MDT2C12	12/5	11.4/5.1	192	+ 182	= 374	96	+ 91	= 187	64	+ 61	= 125	48	+ 46	= 94

1 lb. apx. = 32 fl. oz.

*Based on 70° Air and 50° Water Temperatures.

Scotsman's ice machines are not designed for outdoor installations.

Machine requires voltage indicated on rating name plate. Failures caused by improper voltage are not considered factory defects. Extended periods of operation at temperatures exceeding limitations constitutes misuse under the terms of Scotsman Manufacturer's Limited Warranty, resulting in a loss of warranty coverage. Specifications and design are subject to change without notice.

Consult Your Local SCOTSMAN Representative At:

YOU'LL VALUE THE DIFFERENCE.™

775 Corporate Woods Parkway • Vernon Hills, IL 60061 • 1-800-SCOTSMAN • Fax: (847) 913-9844
Visit our website at: www.scotsman-ice.com • E-mail: customer.service@scotsman-ice.com

 **Scotsman®**