



ANVIL

MIXER ELECTRIC

GOLD SERIES - DIRECT DRIVE GEAR TRANSMISSION - 10 QUART

MIXER ELECTRIC 10 QUART



"Anvil's 10 Quart Mixers are designed specifically for small commercial mixing applications. This compact tabletop mixer is small enough to fit into any kitchen yet robust enough for continuous use."

APPLICATION

- IDEAL FOR DELIS, SMALL BAKERIES AND HOME INDUSTRIES
- COMES STANDARD WITH MIXING BOWL, WIRE WHISK, DOUGH HOOK AND SPATULA. THESE ITEMS ARE ALSO AVAILABLE SEPERATELY
- CONSISTANT MIXING SPEEDS ARE MAINTAINED REGARDLESS OF THE VOLUME IN THE BOWL DUE TO THE DIRECT DRIVE TRANSMISSION SYSTEM

CONSTRUCTION

- HEAVY DUTY CONSTRUCTION
- POWERFUL 1/3HP AIR COOLED MOTOR
- 5 FIXED SPEEDS
- DIRECT DRIVE 100% GEAR DRIVEN TRANSMISSION
- LONG-LIFE GEAR BOX
- GREASE PACKED BALL BEARING
- COMES STANDARD 110V SINGLE PHASE
- COMES STANDARD WITH SAFETY GUARD
- GEARS AND SHAFTS MADE OF HEAT TREATED ALLOY STEEL

Anvil reserves the right, without notice, to make changes and revisions to product specifications, materials and design, which in our opinion, will provide better performance, durability and efficiency.

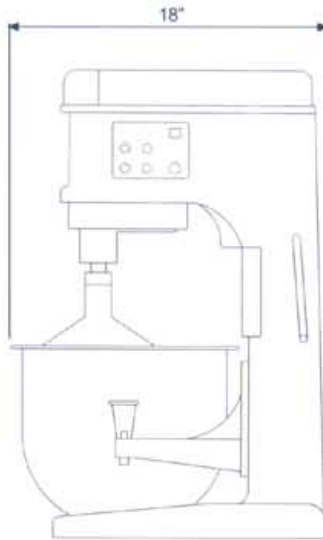
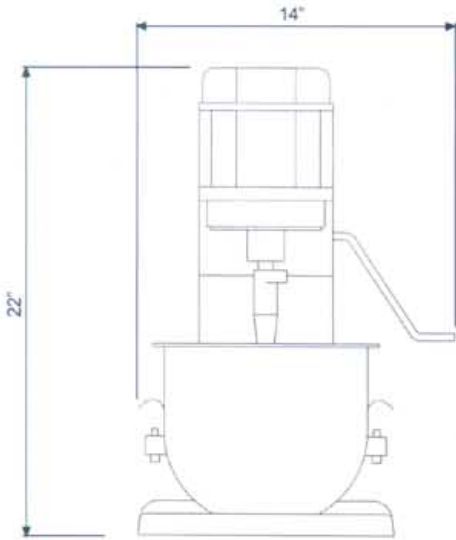
QUALITY  GUARANTEE

ALL ANVIL EQUIPMENT COMES WITH A ONE YEAR WARRANTY ON COMPONENTS AND DEFECTIVE WORKMANSHIP



NOTE:

When viewing the appliance from the front in its usual operating position, the width (W) of the product is the total distance from left to right ; the depth (D) of the product is the total distance from front to back ; the height (H) is the total distance from the bottom of the product to the top



**MIXER ELECTRIC
10 QUART**

MODELS:
MIX7110



MIXING BOWL
XMIX1011



WIRE WHISK
XMIX1012



DOUGH HOOK
XMIX1013



SPATULA
XMIX1014



DESCRIPTION	MIXER 10Q WITH GUARD	ACCESSORIES • CODE	ACCESSORIES • DESCR.
MODELS	MIX7110	XMIX1011	MIXING BOWL
POWER (HP)	0.33	XMIX1012	WIRE WHISK
VOLTAGE (V)	110V	XMIX1013	DOUGH HOOK
DIMENSIONS (in) (W x D x H)	14 x 18 x 22	XMIX1014	SPATULA
BOX DIMNS (W x D x H)	16 x 21 x 25	MIX2016	MEAT GRINDER HEAD NO.12
SHIPPING WEIGHT (lbs)	50		

Note: Output performance figures quoted are dependant on various factors.

Manufactured by:
Scientific Engineering (Pty) Ltd
South Africa
Website: www.anvilworld.com



MIX_ANVIL_USA_01