



 **ANVIL**

MIXER ELECTRIC

GOLD SERIES - DIRECT DRIVE GEAR TRANSMISSION - 20 QUART

MIXER ELECTRIC 20 QUART



"Anvil's 20 Quart Mixers are designed specifically for small commercial mixing applications. The grease packed ball bearing and air cooled motor ensure quiet and efficient continuous operation."

APPLICATION

- IDEAL FOR CONVENIENCE STORES, SMALL BAKERIES AND HOME INDUSTRIES
- COMES STANDARD WITH MIXING BOWL, WIRE WHISK, DOUGH HOOK AND SPATULA. THESE ITEMS ARE ALSO AVAILABLE SEPERATELY
- CONSISTANT MIXING SPEEDS ARE MAINTAINED REGARDLESS OF THE VOLUME IN THE BOWL DUE TO THE DIRECT DRIVE TRANSMISSION SYSTEM

CONSTRUCTION

- POWERFUL 1/2HP AIR COOLED MOTOR
- 3 FIXED SPEEDS WITH EASY SPEED SHIFTING
- DIRECT DRIVE 100% GEAR DRIVEN TRANSMISSION
- LONG-LIFE GEAR BOX
- #12 HUB FOR A MEAT GRINDING ATTACHMENT OFFERS FLEXIBILITY BETWEEN GRINDING AND MIXING
- GREASE PACKED BALL BEARING
- COMES STANDARD 110V SINGLE PHASE
- MODEL AVAILABLE IN 50 CYCLE 220V
- GEARS AND SHAFTS MADE OF HEAT TREATED ALLOY STEEL

Anvil reserves the right, without notice, to make changes and revisions to product specifications, materials and design, which in our opinion, will provide better performance, durability and efficiency.

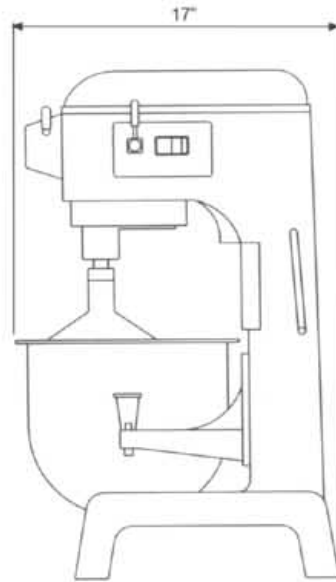
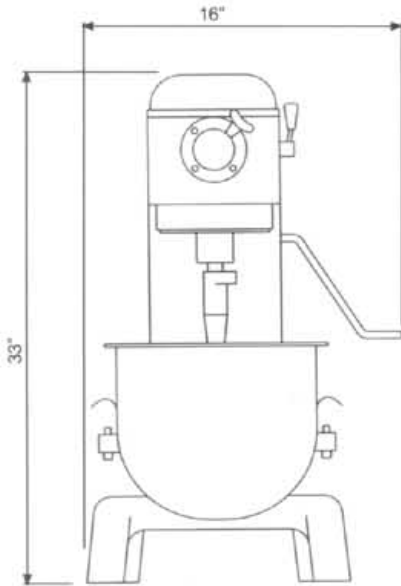
QUALITY  GUARANTEE

ALL ANVIL EQUIPMENT COMES WITH A ONE YEAR WARRANTY ON COMPONENTS AND DEFECTIVE WORKMANSHIP



NOTE:

When viewing the appliance from the front in its usual operating position, the width (W) of the product is the total distance from left to right ; the depth (D) of the product is the total distance from front to back ; the height (H) is the total distance from the bottom of the product to the top



**MIXER ELECTRIC
20 QUART**

MODELS:
MIX7120
MIX8120



MIXING BOWL
XMIX2011



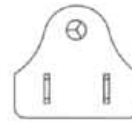
WIRE WHISK
XMIX2012



DOUGH HOOK
XMIX2013



SPATULA
XMIX2014



NEMA 5015P
110V

DESCRIPTION	MIXER 20Q WITH GUARD	MIXER 20Q 50-CYCLE	ACCESSORIES - CODE	ACCESSORIES - DESCR.
MODELS	MIX7120	MIX8120	XMIX2011	MIXING BOWL
POWER (HP)	0.5	0.5	XMIX2012	WIRE WHISK
VOLTAGE (V)	110V	220V	XMIX2013	DOUGH HOOK
DIMENSIONS (in) (W x D x H)	16 x 17 x 33	16 x 17 x 33	XMIX2014	SPATULA
BOX DIMNS (in) (W x D x H)	23 x 19 x 40	23 x 19 x 40	MIX2016	MEAT GRINDER HEAD NO.12
SHIPPING WEIGHT (lbs)	219	219	MIX2015	GRATER HEAD NO.12
PLANETARY SPEED	106/359/397 rpm	118/205/374 rpm		

Note: Output performance figures quoted are dependant on various factors.

Manufactured by:
Scientific Engineering (Pty) Ltd
South Africa
Website: www.anvilworld.com



MIX_ANVIL_USA_02