



MIXER ELECTRIC

PREMIER SERIES - GEAR TRANSMISSION - 80 QUART

MIXER ELECTRIC 80 QUART



"Anvil's 80 Quart Mixers are designed specifically for heavy duty mixing applications. The grease packed ball bearing and air cooled motor ensure quiet and efficient continuous operation."

APPLICATION

- IDEAL FOR CONVENIENCE STORES, BAKERIES AND SUPERMARKETS
- COMES STANDARD WITH MIXING BOWL, WIRE WHISK, DOUGH HOOK AND SPATULA. THESE ITEMS ARE ALSO AVAILABLE SEPERATELY

CONSTRUCTION

- HEAVY DUTY CONSTRUCTION
- POWERFUL 3HP AIR COOLED MOTOR
- 4 FIXED SPEEDS WITH EASY SPEED SHIFTING
- LONG-LIFE GEAR BOX DRIVEN BY COGGED BELT
- #12 HUB FOR A MEAT GRINDING ATTACHMENT OFFERS FLEXIBILITY BETWEEN GRINDING AND MIXING
- GREASE PACKED BALL BEARING
- COMES STANDARD 220V THREE PHASE
- COMES STANDARD WITH SAFETY GUARD

NB: ALL ELECTRICAL CONNECTIONS SHOULD BE CARRIED OUT BY A QUALIFIED TECHNICIAN

Anvil reserves the right, without notice, to make changes and revisions to product specifications, materials and design, which in our opinion, will provide better performance, durability and efficiency.



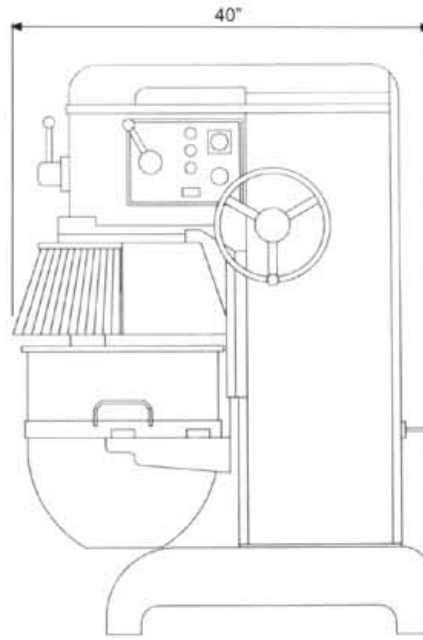
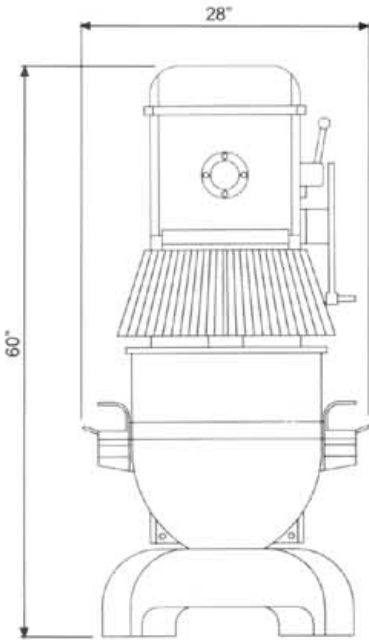
ALL ANVIL EQUIPMENT COMES WITH A ONE YEAR WARRANTY ON COMPONENTS AND DEFECTIVE WORKMANSHIP



NOTE:

When viewing the appliance from the front in its usual operating position, the width (W) of the product is the total distance from left to right ; the depth (D) of the product is the total distance from front to back ; the height (H) is the total distance from the bottom of the product to the top

**MIXER ELECTRIC
80 QUART** **MODELS:
MIX9180**



MIXING BOWL
XMIX9811



WIRE WHISK
XMIX9812



DOUGH HOOK
XMIX9813



SPATULA
XMIX9814



DESCRIPTION	MIXER 80Q	ACCESSORIES - CODE	ACCESSORIES - DESCR.
MODELS	MIX910	XMIX9811	MIXING BOWL
POWER (HP)	3	XMIX9812	WIRE WHISK
VOLTAGE (V)	220V THREE PHASE	XMIX9813	DOUGH HOOK
DIMENSIONS (in) (W x D x H)	28 x 40 x 60	XMIX9814	SPATULA
BOX DIMNS (in) (W x D x H)	34 x 47 x 68	MIX2016	MEAT GRINDER HEAD NO.12
SHIPPING WEIGHT (lbs)	1000	MIX2015	GRATER HEAD NO.12
PLANETARY SPEED	100/177/297/523 rpm		

Note: Output performance figures quoted are dependant on various factors.

Manufactured by:
Scientific Engineering (Pty) Ltd
South Africa
Website: www.anvilworld.com



MIXER ANVIL USA_09