



Item No. _____

Quantity _____

Model No.
7030A, 7030A-240,
7030A-2, 7030A-2240
Cone Bakers

AIA File No. _____



NEMCO Cone Bakers feature digital controls for fast, convenient, precision baking of versatile waffle cones. Heavy-duty, lock-down, fixed, seven-inch aluminum grids provide uniform thickness, while flat-ring heating elements bake to a taste-tempting, overall golden brown. Preheats to ideal temperature in just 12 minutes and provides up to 60, 7" diameter cones per hour, per grid. Easy-to-read LED display counts down baking time. Audible alarm signals the minute baking is complete. Coiled, spring-type handle remains cool for fast, easy handling.

Standard Features:

- Digital Programmable controls with count down timer
- Standard LED display and electronic audible alarm
- Top Mounted Control Panel, minimizes mess
- Single or Dual grids available
- Constructed of brushed stainless steel
- Coiled Spring "Cool Touch" handles
- Cast Aluminum Grids
- Feet - approx. 5/16" high & adjustable
- 120 & 240 Volt models have ETL & NSF listing

Optional Accessories:

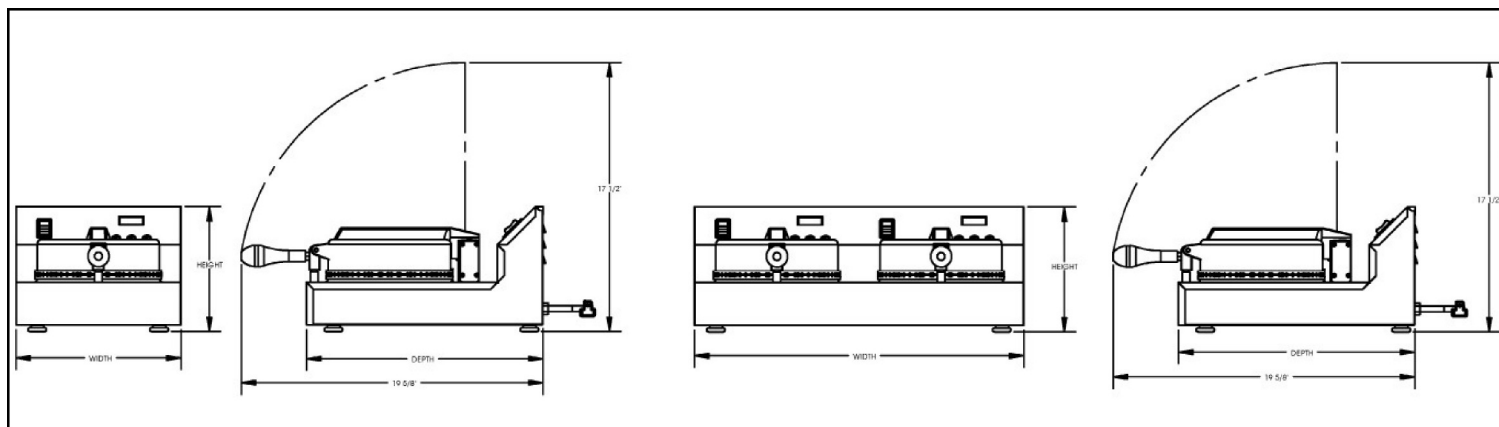
- 77005 Cone Form Roller, Makes 7" Finished Cone
- 77006 Walking Sundae Mold



NEMCO Food Equipment, LTD.
301 Meuse Argonne
P.O. Box 305
Hicksville, OH 43526
Phone (419) 542-7751
FAX (419) 542-6690
www.nemcofoodequip.com

Model No. 7030A, 7030A-240, 7030A-2, 7030A-2240

AIA File No.



Specifications:

| Model No. | Grids | Width Inches/(cm) | Depth Inches/(cm) | Height* Inches/(cm) | Voltage | Rated Wattage | Nominal Amps | Operating Temperature (pre-heat time) | NEMA Configuration | Unit Weight lbs./(Kg) | Shipping Weight lbs./(Kg) |
|------------|--------|-------------------|-------------------|---------------------|---------|---------------|--------------|---------------------------------------|--------------------|-----------------------|---------------------------|
| 7030A | 1 - 7" | 10 (25.4) | 15 1/4 (38.7) | 8 1/8 (20.7) | 120 | 890 | 7.4 | 250 - 410° (12 minutes) | 5-15P plug | 19 1/2 (8.9) | 23 (10.4) |
| 7030A-240 | 1 - 7" | 10 (25.4) | 15 1/4 (38.7) | 8 1/8 (20.7) | 240 | 890 | 3.7 | 250 - 410° (12 minutes) | 6-15P plug | 19 1/2 (8.9) | 23 (10.4) |
| 7030A-2 | 2 - 7" | 19 1/2 (49.5) | 15 1/4 (38.7) | 8 1/8 (20.7) | 120 | 1780 | 14.8 | 250 - 410° (12 minutes) | 5-15P plug | 38 (17.3) | 40 (18.1) |
| 7030A-2240 | 2 - 7" | 19 1/2 (49.5) | 15 1/4 (38.7) | 8 1/8 (20.7) | 240 | 1780 | 7.4 | 250 - 410° (12 minutes) | 6-15P plug | 38 (17.3) | 40 (18.1) |

* Height is with the top closed; Cone Baker open = 17 1/2" (44.5 cm)

| Optional Accessories | Description |
|--------------------------------|--|
| <input type="checkbox"/> 77005 | Cone Form Roller, makes 7" finished cone |
| <input type="checkbox"/> 77006 | Walking Sundae Mold |

Typical Specifications

NEMCO cone bakers shall be constructed of brushed stainless steel. They shall have uncoated aluminum grids. All units shall have a full sheath ring heating element with a maximum temperature of 410°F, a programmable control board, with LED display, and a "Cool Touch" coiled spring handle. 120V models shall come with a NEMA 5-15P plug and the 240V models shall have a NEMA 6/15P plug attached to the 42" cords. All machines shall be ETL certified and National Sanitation Foundation listed.



Made in U.S.A.



NEMCO Food Equipment, LTD.
301 Meuse Argonne, P.O. Box 305
Hicksville, OH 43526
Phone (419) 542-7751
FAX (419) 542-6690
www.nemcofoodequip.com



7/14 Printed in U.S.A.