

# SCOTSMAN

UNDER COUNTER NUGGET ICE MACHINE WITH STORAGE

## NSE654

VOLUME PRODUCTION • 24 HOUR

Based on Air/Water Temperatures	Air-Cooled		Water-Cooled	
	70°/50° lbs.	90°/70° lbs.	70°/50° lbs.	90°/70° lbs.
NSE654	690/313	560/254	710/322	580/263



### SCOTSMAN'S NEW NUGGET ICE MACHINES with *AutoSentry™*

- *AutoSentry™* Monitoring System constantly checks workload on gearbox shutting down system before a problem develops preventing costly repairs.
- Electrical conductivity water sensor eliminates low or no water failures and cannot be affected by adverse water conditions.
- Plastic drain pan with larger outlet provides greater ability to quickly channel water away preventing particulate build-up and rust.
- Rust and restriction free drain system features one-piece plastic drain tubes with larger ID for obstruction-free water flow.
- Durable, high grade stainless steel construction with massive, self-aligning spherical roller bearings; patented double-flight auger that evenly distributes the load; and heavy duty direct drive gearbox for high reliability and long life.

**WARRANTY** See your dealer for complete warranty details.

- 3 years parts on all components.
- 3 years labor on all components.
- 5 years parts on compressor.



### NUGGET ICE

Versatile, inexpensive to produce, used in carbonated beverages and salad bars.

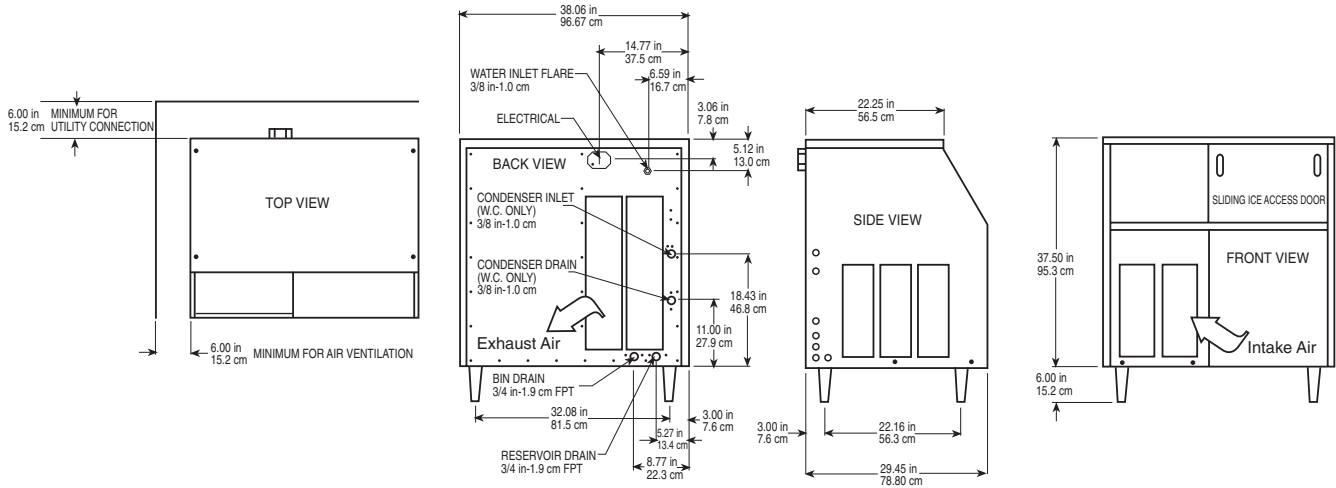
This product qualifies for the following listings:



CSA and USDA Listed.

 **Scotsman®**

# Ice Machine Specifications



All models: Dimensions: W x D x H without legs (Add 6" height for legs): Unit: 38<sup>1</sup>/<sub>16</sub>" x 29<sup>1</sup>/<sub>2</sub>" x 37<sup>1</sup>/<sub>2</sub>" Shipping Carton: 42" x 33" x 43"

Model Number	Condenser Unit	Bin Capacity lbs./kg.	Basic Electrical Volts/Hz/Phase	Max. Fuse Size or HACR Circuit Breaker	Comp. HP	Circuit Wires	Min. Circuit Ampacity	Shipping Weight lbs./kg.	Power Consumption KWH/100 lbs. 90°/70°F	Water Usage Gallons/100 lbs. Potable 90°/70°F	Condenser 90°/70°F
NSE654AS-1A	AIR	145/65	115/60/1	35	3/4	2	20.0	320/145	5.3	12	NA
NSE654WS-1A	WATER	145/65	115/60/1	30	3/4	2	20.0	315/143	4.9	12	102

All units with Stainless Steel finish.  
Refrigerant: R-404A.

LEGS SUPPLIED:  
Four black plastic legs screw into mounting plates on cabinet base. Provides 6" minimum height including adjustable leveling foot.

OPTIONS:  
KLP25 - Nickel plated, brushed metal finish leg kit with adjustable leveling.

Scotsman's ice machines are not designed for outdoor installations. Scotsman remote condensers are designed for outdoor installations.

Machine requires voltage indicated on rating name plate. Failures caused by improper voltage are not considered factory defects. Extended periods of operation at temperatures exceeding limitations constitutes misuse under the terms of Scotsman Manufacturer's Limited Warranty, resulting in a loss of warranty coverage. Specifications and design are subject to change without notice.

Consult Your Local SCOTSMAN Representative At:

## IMPORTANT OPERATING REQUIREMENTS:

	Minimum	Maximum
Air Temperatures	50°F (10°C)	100°F (37.7°C)
Water Temperatures	40°F (4.4°C)	100°F (37.7°C)
Water Pressures	20 PSIG	120 PSIG
Electrical Voltage	-5%	+10%

**YOU'LL VALUE THE DIFFERENCE™**

775 Corporate Woods Parkway • Vernon Hills, IL 60061 • 1-800-SCOTSMAN • Fax: (847) 913-9844  
Visit our website at: [www.scotsman-ice.com](http://www.scotsman-ice.com) • E-mail: [customer.service@scotsman-ice.com](mailto:customer.service@scotsman-ice.com)

