

Project \_\_\_\_\_

Item # \_\_\_\_\_

Quantity \_\_\_\_\_



GLOBE FOOD EQUIPMENT COMPANY

Electric Panini & Sandwich Grills

PG14/PG14-2/SG14



**PG14**



## Electric Panini & Sandwich Grills

*Globe Countertop Equipment*

### Models

- PG14 14" Panini Grill (120V)
- PG14-2 14" Panini Grill (208-240V)
- SG14 14" Sandwich Grill (120V)



### Standard Features

- Panini and Sandwich Grills with a 14"x10" surface size
- Heavy duty, seasoned cast iron grill plates
- Heavy duty hinge with adjustable tension
- Temperature thermostatically controlled up to 570°F
- Stainless steel construction
- Easy-to-clean, removable stainless steel catch tray
- Handles for easy portability
- ON/OFF switch
- 3½" stainless steel adjustable feet
- Attached 4-foot power cord and plug

### Plate Configurations

- Panini Grill - grooved plates
- Sandwich Grill - smooth plates

### Applications

- Monte Cristo sandwiches, Cuban sandwiches, quesadillas, burritos, ham & cheese sandwiches, vegetables, Philly steak sandwiches, variety of meats, chicken, steak, etc.

### Warranty

- One-year parts and labor

Approved By: \_\_\_\_\_

Date: \_\_\_\_\_



**GLOBE FOOD EQUIPMENT COMPANY**

[www.globeslicers.com](http://www.globeslicers.com)

2153 Dryden Rd.  
Dayton, OH 45439  
Phone: 937-299-5493  
Phone: 800-347-5423  
Fax: 937-299-4147



# Electric Panini & Sandwich Grills

# PG14/PG14-2/SG14

## Specifications

### For Indoor Use Only

**Electrical:** Attached cord 4-foot flexible, three-wire cord and ground plug (NEMA 5-15P on all 120V models) and (NEMA 6-15P on 208/240 model)

**PG14:** 120V, 1800W, 15amps

**PG14-2:** 208-240V, 1800W-2400W, 15amps

**SG14:** 120V, 1800W, 15amps

**Grill Cooking Surface Area:** 14" x 10" (35.6 cm x 25.4cm)

**Thermostats:** The temperature is thermostatically controlled.

**Consistent Heating:** Grill will maintain a selected temperature to ensure product consistency. Allow 20-40 minutes to heat up before grilling.

**Standard Equipment:** Standard equipment includes grill, 4 stainless steel feet, and one easy-to-remove catch tray.

**Catch Drawer:** Stainless steel drawer continuously collects grease and crumbs while cooking on the grill.

**PG14 / PG14-2 - Panini and SG14 - Sandwich Dimensions:**  
Foot Print = 17.5" x 22.24"  
(44.5cm x 56.5 cm)  
Overall Length = 17.5" (44.5 cm)  
Overall Width = 17.9" (45.5 cm)  
Overall Height = 10.1" (25.7 cm)

### SHIPPING

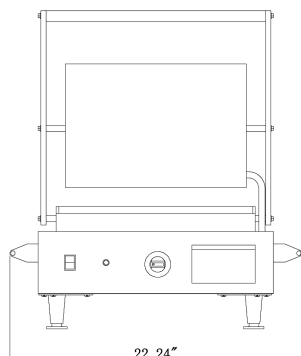
**PG14 / PG14-2 - Panini and SG14 - Sandwich Shipping Information:**

Net Weight: 79.9 lbs (36.2 kg)  
Shipping Weight: 86.5 lbs (39.2 kg)

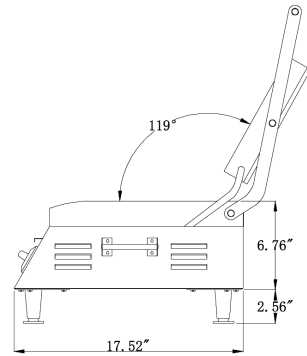
**PG14 / PG14-2 - Panini and SG14 - Sandwich Shipping Dimensions:**

24.9"W x 22.1"D x 12.5"H  
(63 cm x 56 cm x 31.5 cm)

Cartons are reinforced for shipping. The weight and dimensions of this reinforced carton are included above and may vary from shipment to shipment.



PG14, PG14-2 & SG14

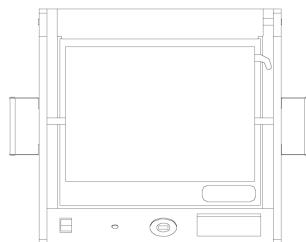
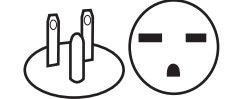


PG14, PG14-2 & SG14

PG14, SG14  
Plug Type - NEMA 5-15



PG14-2  
Plug Type - NEMA 6-15



PG14, PG14-2 & SG14



**GLOBE FOOD EQUIPMENT COMPANY**

[www.globeslicers.com](http://www.globeslicers.com)

2153 Dryden Rd.  
Dayton, OH 45439  
Phone: 937-299-5493  
Phone: 800-347-5423  
Fax: 937-299-4147

Printed in U.S.A. 2-2011

Specifications are subject to change without notice.