

PRO-MAX[®] 2.0 SMOOTH & GROOVED SPECIALTY TWO-SIDED GRILLS

Model PST14D & PGT14D

Features/Benefits:

- ★ Expand your menu with Star's Pro-Max specialty two sided grill. Free floating tops with no cumbersome linkage allows the preparation of burritos, quesadillas, sandwiches and many other menu items quickly and easily. Top platens lift parallel to bottom platen and will self-adjust to the product thickness the first three inches of platen lift.
- ★ Split top design provides left and right capability to prepare menu items at different order times.
- ★ Electronically controlled temperature provides:
 - Even top and bottom surface temperature distribution.
 - Fast recovery.
 - Even toasting of menu items on top and bottom.
 - Low energy usage.
- ★ Left and right, easy to read digital time and temperature displays. 4 selection buttons on each side are independently programmable to provide multiple menu item and operational flexibility. Temperature is programmable from 250°F (79°C) to 550°F (302°C).
- ★ Easy to clean.
 - Polished platen surface finish is easy to clean and reduce menu items sticking.
 - Stainless steel burn guard system allows access to easily clean top and bottom surfaces.
 - Front grease trough and grease drawer provides easy and safe access.
- ★ Durable, reliable, and long lasting design.
 - Heavy duty aluminum platens provide superior heat performance and long life.
 - Counter balance hinge system that has been a proven design for over 10 years.
 - Heavy duty stainless steel construction.
 - Minimal fasteners.
 - Water resistant electronic wire enclosure.
 - No cumbersome linkage to maintain.



Model PST14D

Applications:

Star's two-sided grill can prepare sandwiches, burritos, quesadillas and many other menu items quickly and easily. Split-top design provides maximum menu flexibility and cooking production.

Quality Construction:

The rugged body is constructed of 18 gauge stainless steel. The grill is supplied with grease trough and stainless steel grease drawer. The counter balance mechanism is constructed from hardened aluminum. The 6 foot lead-in cord has a special covering that is resistant to water and oil and the wires are protected by metallic braiding. Cord comes complete with plug (see typical specifications).

Warranty:

Two-sided grill is covered by Star's one year parts and labor warranty.

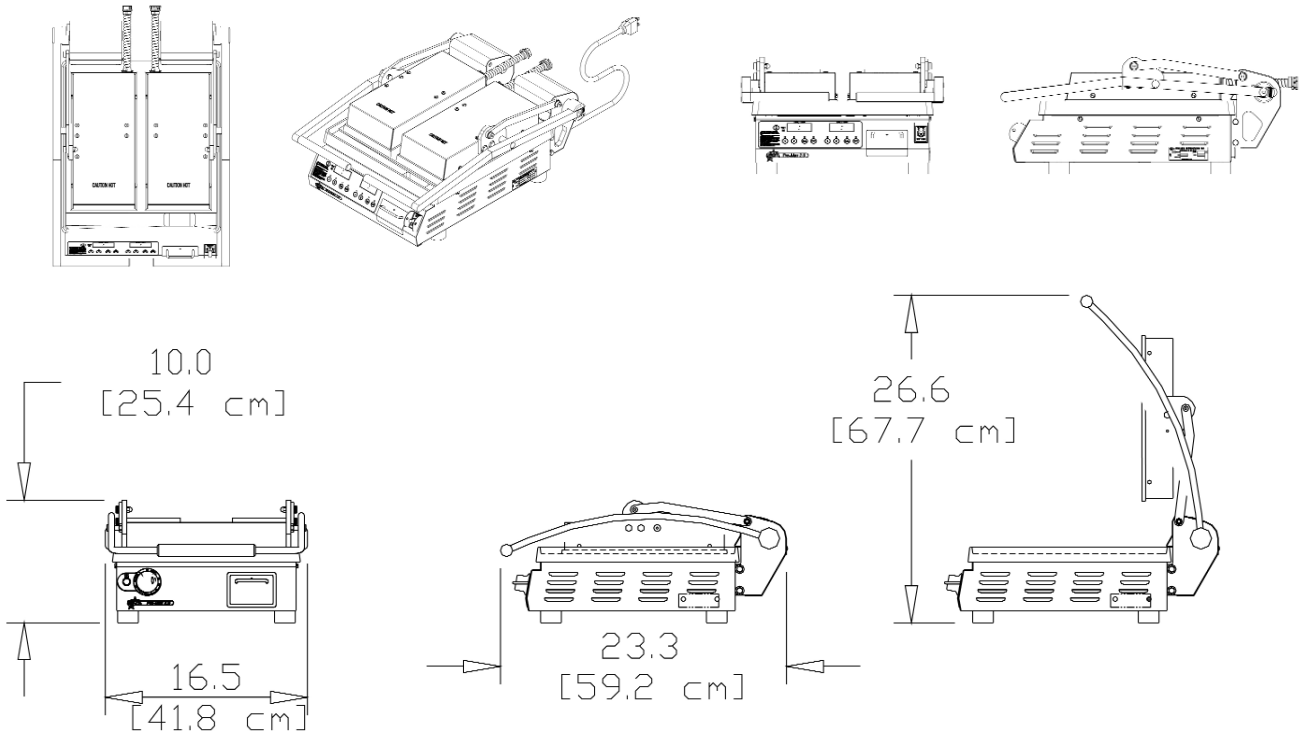


Star Manufacturing

Pro-Max® Smooth Specialty Two-Sided Grill

PRO-MAX® 2.0 SMOOTH & GROOVED SPECIALTY TWO-SIDED GRILLS

Model PST14D & PGT14D



EXTERIOR DIMENSIONS - ALL MODELS

Model and Specifications

Model No.	Grid Surface	Width Inches (cm)	Depth Inches (cm)	Closed Inches (cm)	Open Inches (cm)	Voltage	Wattage	Amps	NEMA Plug	Approximate Weight	
										Shipping lbs. (kg)	Installed lbs. (kg)
PST14D & PGT14D	Alum.	16.8 (42.6)	23.125 (58.7)	12.9 (32.8)	29.7 (75.4)	120	2300	19.2	5-20P*	81	68
						120	2300	19.2	5-30P**		

*Not CUL approved. For use on individual branch circuit only.

**Canadian Requirements

Typical Specifications

Two-sided grill is constructed with a stainless steel body and aluminum smooth or grooved platens. Designed with electric controls for precise temperature control and digital timer for select menu items. Grilling height between platens is up to 3" with hinge system providing 3-4 pounds of pressure to the cooking product placed on bottom platen. Metal sheathed tubular elements and non-skid feet are standard. Unit has pilot light, six foot power cord with NEMA plug. Printed in the U.S.A.

Due to periodic changes in designs, methods, procedures, policies and regulations, the specifications contained in this sheet are subject to change without notice. While Star Manufacturing exercises good faith efforts to provide information that is accurate, we are not responsible for errors or omissions in information provided or conclusions reached as a result of using the specifications. By using the information provided, the user assumes all risks in connection with such use.

Star Manufacturing - 10 Sunnen Drive - P.O. Box 430129 - St. Louis, MO 63143-3800
Phone: (314) 678-6303 - FAX: (314) 781-5445 - www.star-mfg.com