



Profit from the Eagle Advantage®

Specification Sheet

Short Form Specifications

Eagle Pizza Cut-n-Pack Table, model _____. Heavy duty stainless steel construction with 16 gauge stainless steel top and open base storage. Plastic laminate divider panel with choice of colors, standard color is Formica 845 Spectrum Red. Mounted on casters.



pizza cut-n-pack table

Options / Accessories

- Cash drawer
- Refuse alcove

Item No.:	_____
Project No.:	_____
S.I.S. No.:	_____

Pizza Cut-n-Pack Tables

MODELS:

- PIC60R**
- PIC72R**
- PIC84R**

Design and Construction Features

- 16 gauge stainless steel top.
- Ends turned down at 90°.
- Full base storage.
- Laminated plastic divider panel—available in your choice of standard laminated plastic colors and patterns.
- Standard in Formica 845 spectrum red or choice of laminated plastic colors and patterns.
- Four 4" (102mm)-diameter swivel stem casters, two with brake.
- 72" and 84" (1829 and 2134mm) models have two center support legs in addition to casters.

EAGLE GROUP
 100 Industrial Boulevard, Clayton, DE 19938-8903 USA
 Phone: 302-653-3000 • Fax: 302-653-2065
 www.eaglegrp.com

Foodservice Division: Phone 800-441-8440
MHC/Retail Display Divisions: Phone 800-637-5100

For custom configuration or fabrication needs, contact our **SpecFAB® Division**.
 Phone: 302-653-3000 • Fax: 302-653-3091 • e-mail: specfab@eaglegrp.com



EG10.19 Rev. 10/08

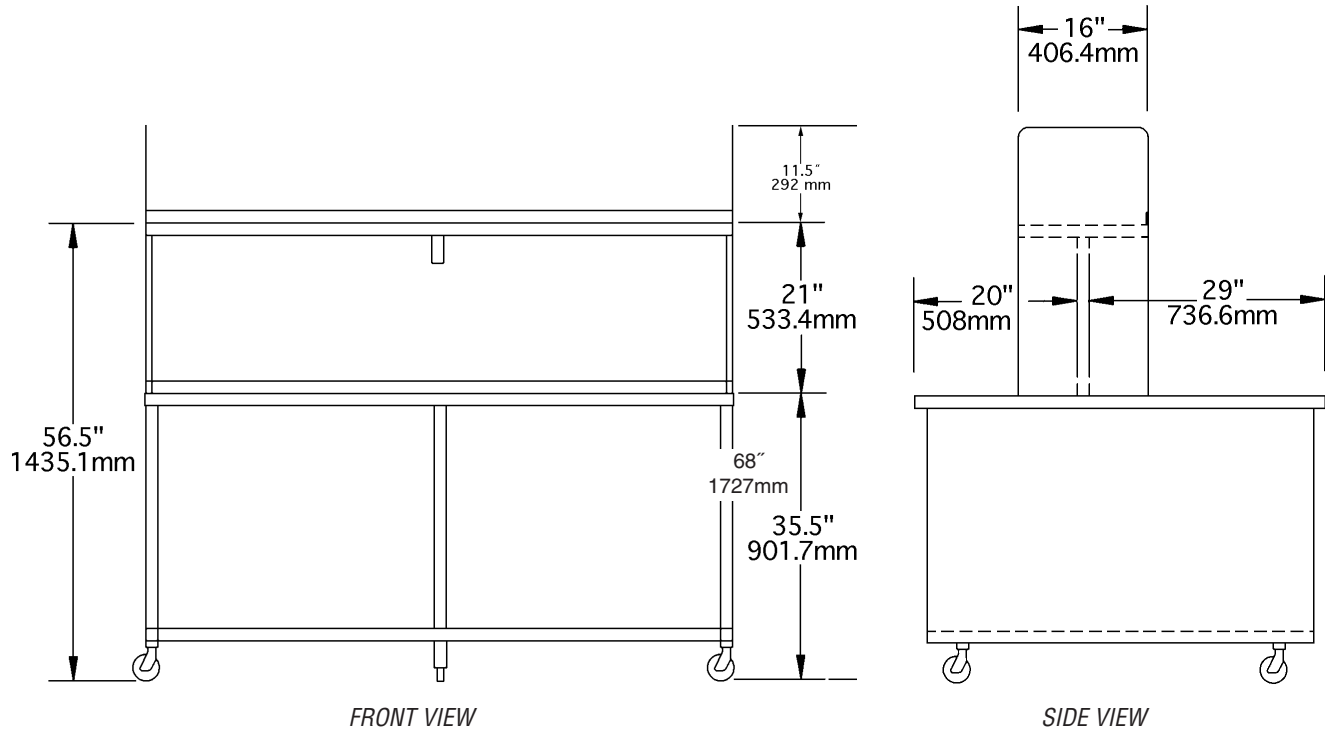
Spec sheets available for viewing, printing or downloading from our online literature library at www.eaglegrp.com

Eagle Foodservice Equipment, Eagle MHC, SpecFAB®, and Retail Display are divisions of Eagle Group. ©2008 by the Eagle Group



Item No.: _____
 Project No.: _____
 S.I.S. No.: _____

Pizza Cut-n-Pack Tables



model #	width		length		weight	
	in.	mm	in.	mm	lbs.	kg
PIC60R	49 3/4"	1264	60"	1524	318	144.3
PIC72R	49 3/4"	1264	72"	1829	368	167.0
PIC84R	49 3/4"	1264	84"	2134	432	193.0

Optional Cash Drawer

model #	weight	
	lbs.	kg
CD-1	26	11.8

EAGLE GROUP
 100 Industrial Boulevard, Clayton, DE 19938-8903 USA
 Phone: 302-653-3000 • Fax: 302-653-2065
 www.eaglegrp.com

Foodservice Division: Phone 800-441-8440
 MHC/Retail Display Divisions: Phone 800-637-5100

Printed in U.S.A.
 ©2008 by Eagle Group
 Rev. 10/08

Spec sheets available for viewing, printing or downloading from our online literature library at www.eaglegrp.com

Although every attempt has been made to ensure the accuracy of the information provided, we cannot be held responsible for typographical or printing errors. Information and specifications are subject to change without notice. Please confirm at time of order.