

Prestige 19 Series

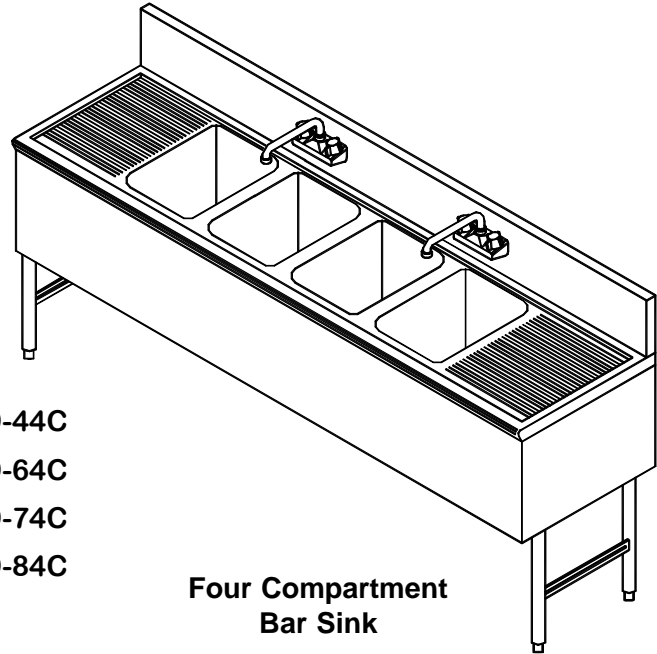
Spec Sheet No. PR-9

Job Name _____

Item No. _____

Bar Sink Standard Features

- All stainless steel structure from top to bottom.
- Mirrored front molding on all units.
- All units are undercoated for sound deadening.



Four Compartment
Bar Sink

- PRB-19-44C
- PRB-19-64C
- PRB-19-74C
- PRB-19-84C

Specifications

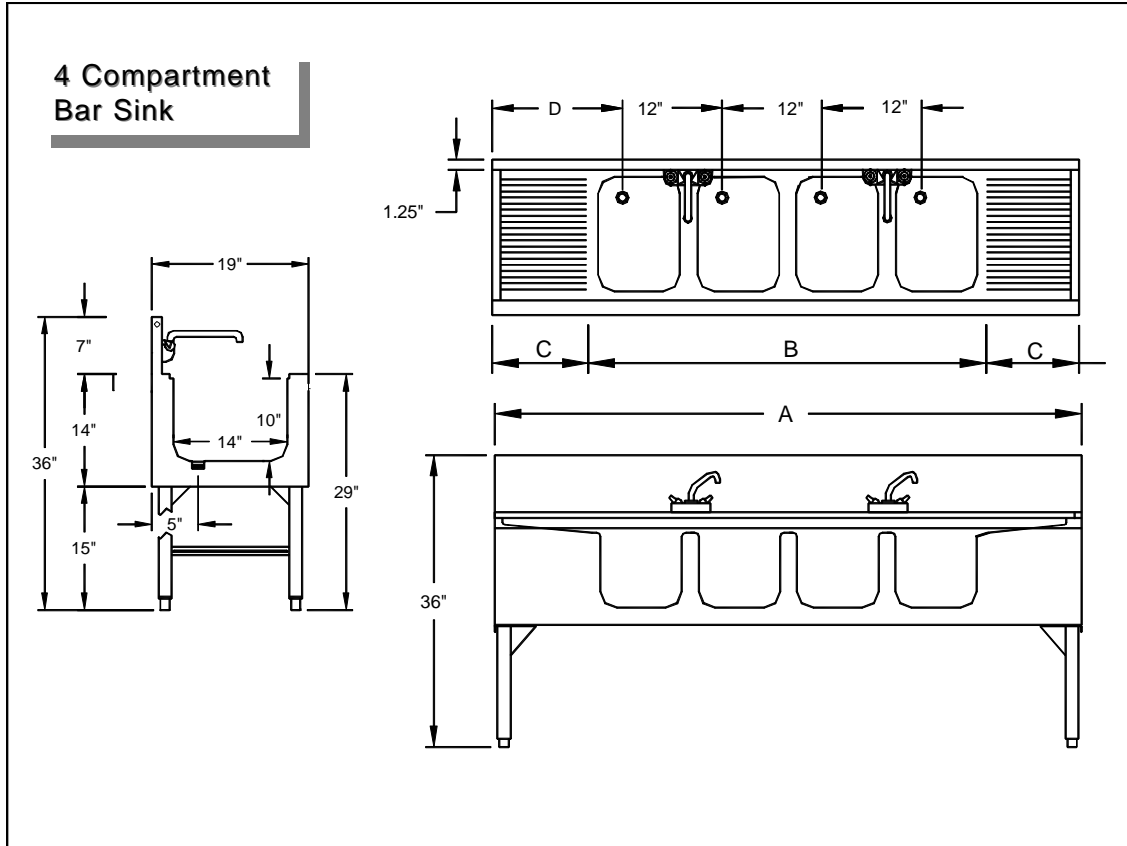
- **Sink Bowls:** 10" x 14" x 10" bowl, 20 gauge 300 series stainless steel, seamless deep drawn.
- **Drainboard:** 18 gauge 300 series stainless steel with continuous corrugation welded to sink bowl.
- **Front Apron:** 20 gauge 300 series stainless steel.
- **Sides:** 20 gauge 300 series stainless steel.
- **Plumbing:** 1-1/2" I.P.S. drain.
- **Backsplash:** 20 gauge 300 series stainless steel.
- **Legs:** 14 gauge 300 series stainless steel mounting bracket with 1-5/8" O.D. 18 gauge 300 series stainless steel & 1" adjustable stainless steel bullet feet.
- **Faucet:** 2 each - 4" on center splash mount with 8" swivel spout. (1/2 NPT - Male)



Supreme Metal

Toll Free: 800-645-2526
www.suprememetal.com

Prestige 19 Series



| Model Number | Overall Length (A) | Distance to Drain (D) | Drainboard Length(C) | Packaged Weight | Cubic Feet | Sink Location |
|--------------|--------------------|-----------------------|----------------------|-----------------|------------|---------------|
| PRB-19-44C | 48" | 5" | N/A | 94 Lbs. | 14 | Center |
| PRB-19-64C | 72" | 15" | 12" | 125 Lbs. | 21 | Center |
| PRB-19-74C | 84" | 21" | 18" | 143 Lbs. | 25 | Center |
| PRB-19-84C | 96" | 27" | 24" | 157 Lbs. | 28 | Center |

SupremeMetal is constantly engaged in a program of improving their products. We reserve the right to change our specifications without prior notice.