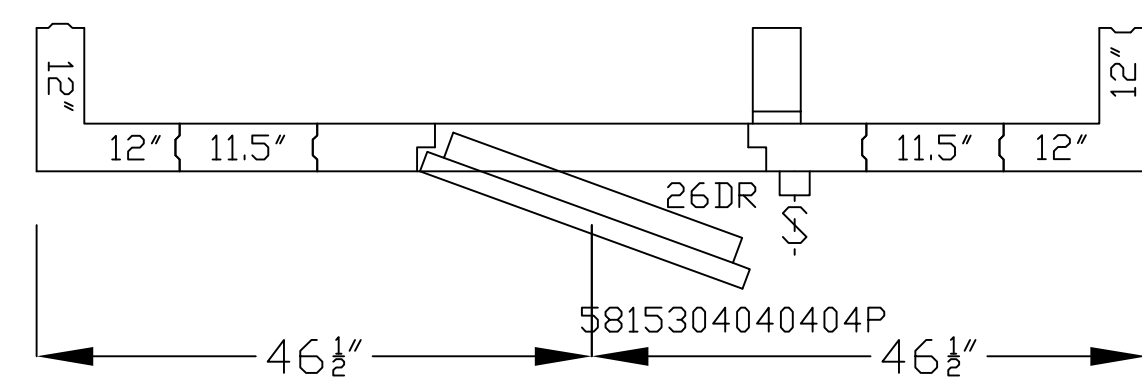
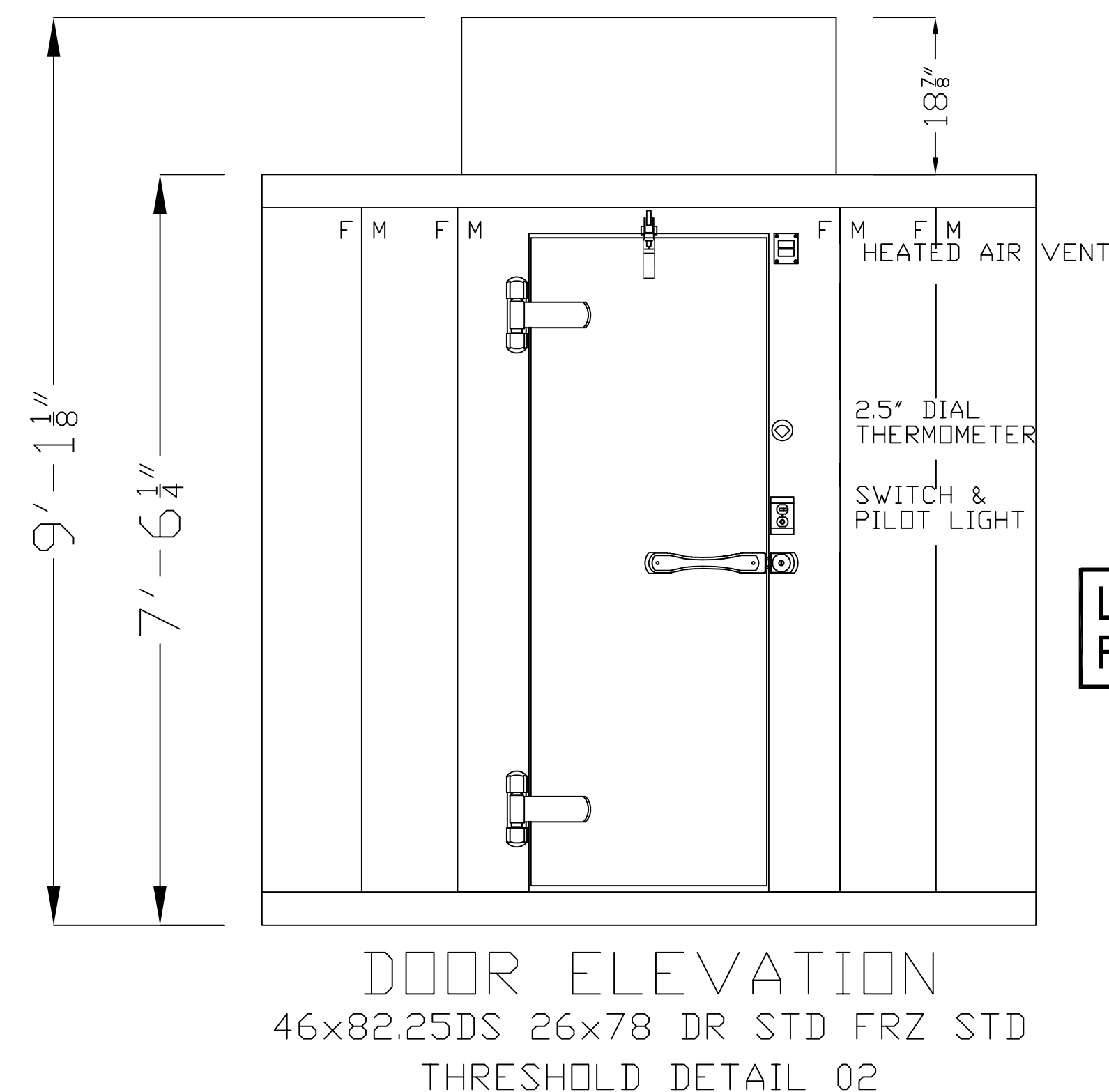
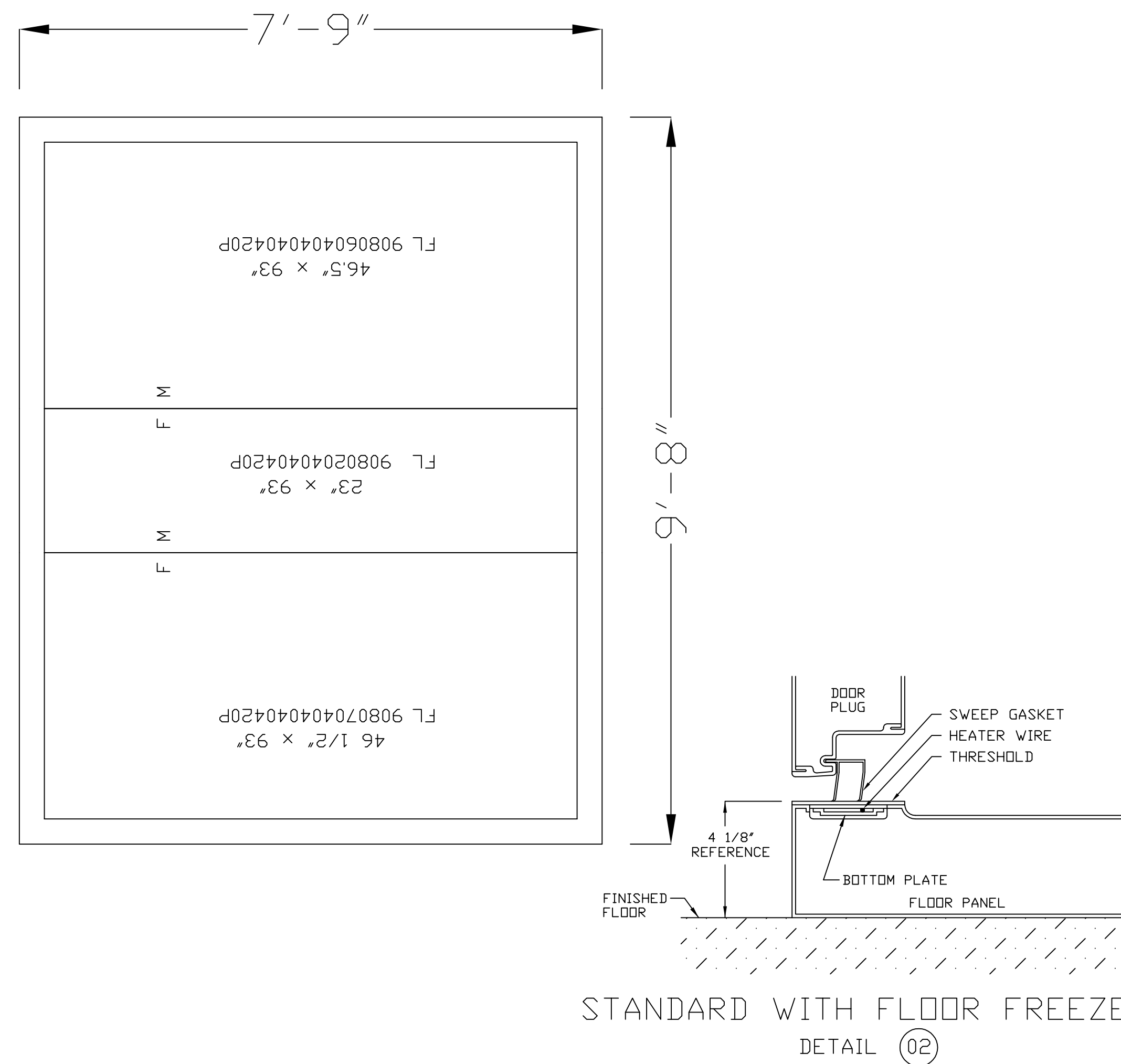
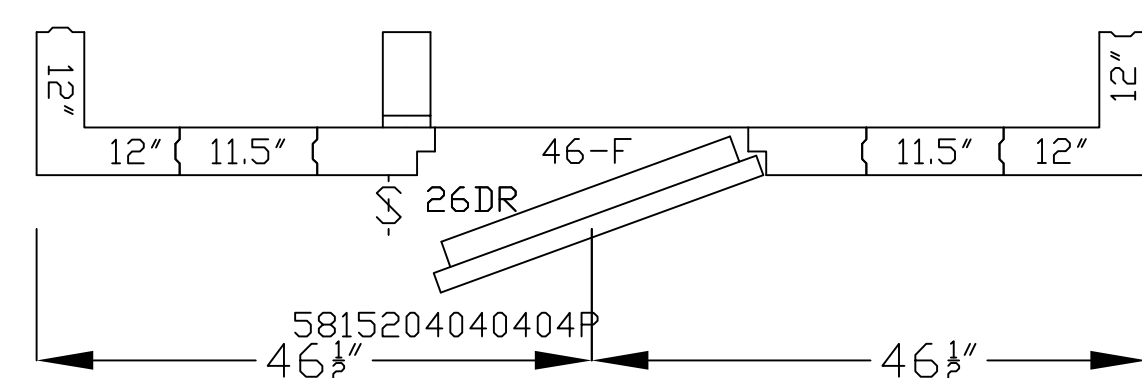


FREEZER

OPTION A DOOR SWING



OPTION B DOOR SWING



DOOR ELEVATION
46x82.25DS 26x78 DR STD FRZ STD
THRESHOLD DETAIL 02

WALK-IN SPECIFICATIONS

SIZE: 7'-9" X 9'-8" X 7'-6 1/4"

PANELS:

ALL FOAMED PANELS ARE 4"

EXTERIOR FINISH:

ALL 26GA STUCCO GALVALUME

INTERIOR FINISH:

ALL 26GA STUCCO GALVALUME

FLOOR TYPE:

FREEZER - .100 SMOOTH ALUMINUM

HEIGHT:

OD 7'-6 1/4" ID 6'-10 5/8"

DOORS:

46x82.25DS 26x78 DR STD FRZ
115-60-1/1.9 AMPS

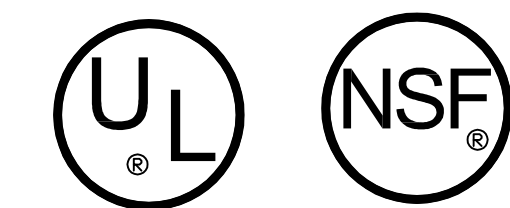
ACCESSORIES:

(NONE)

REFRIG.

PF194T3 2HP 208/230-60-1 18.8 AMPS

USE this drawing for installation



IMPORTANT NOTES:

- 1) MANITOWOC RECOMMENDS A MINIMUM AIRFLOW AROUND THE WALK-IN OF 5 CFM PER 100 SQ. FT. OF WALL AREA TO MINIMIZE CONDENSATION.
- 2) WALK-IN CEILING IS NOT DESIGNED FOR FOOT TRAFFIC OR STORAGE.
- 3) GENERAL CONTRACTOR TO REFER TO DESIGN AND SPECIFICATIONS MANUAL FOR FLOOR DETAIL INFORMATION.
- 4) SPECIAL NOTE TO GENERAL CONTRACTOR AND SUBCONTRACTOR FOR QUARRY TILE OR CONCRETE WEARING FLOOR - THE SHEET METAL PANEL FACINGS MAY BE SUSCEPTABLE TO STAINING DUE TO EXCESSIVE MOISTURE CREATED BY THE HYDRATION OF CONCRETE TYPE MATERIALS. THEREFORE, IT IS ABSOLUTELY NECESSARY THAT EACH ROOM BE PROPERLY VENTILATED. ALSO NOTE THAT SPECIAL PRECAUTIONS MUST BE TAKEN WHEN USING MURIC ACID DUE TO EFFECTS HYDROCHLORIC ACID FUMES HAVE ON ALUMINUM AND STAINLESS STEEL MATERIALS.

SCALE:	3/8"=1'-0"
DRAWING NO.:	QS7-0810-FT
DRAWN BY:	SB
DATE:	06/05/10
DEALER:	2915 TENNESSEE AVENUE NORTH P.O. BOX 550 PARSONS, TN. 38363 (901) 847-6361
PROJECT:	7'-9"X9'-8"X7'-6 1/4"

