



 **ANVIL**

## REFRIGERATED DISPLAY CABINET

36" / 48" / 60" WIDE

## REFRIGERATED DISPLAY CABINET ELECTRIC



---

*"Anvil's refrigerated display cabinet is a great way to present your food and keep it cool. Suitable for all types of foodstuffs."*

### APPLICATION

- ENHANCES FOOD PRESENTATIONS
- KEEPS FOOD AT THE RIGHT TEMPERATURE
- 2 X SHELVES - BOTTOM SHELF WILL ACCOMMODATE HALF SIZE PANS

### CONSTRUCTION

- EASY TO CLEAN
  - TRIPLE GLAZED FRONT GLASS GIVES ADDED STRENGTH AND INSULATION
  - SUITABLE FOR RECESSING INTO COUNTER TOP
- 

Anvil reserves the right, without notice, to make changes and revisions to product specifications, materials and design, which in our opinion, will provide better performance, durability and efficiency.



ALL ANVIL EQUIPMENT COMES WITH A ONE YEAR WARRANTY ON COMPONENTS AND DEFECTIVE WORKMANSHIP



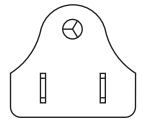
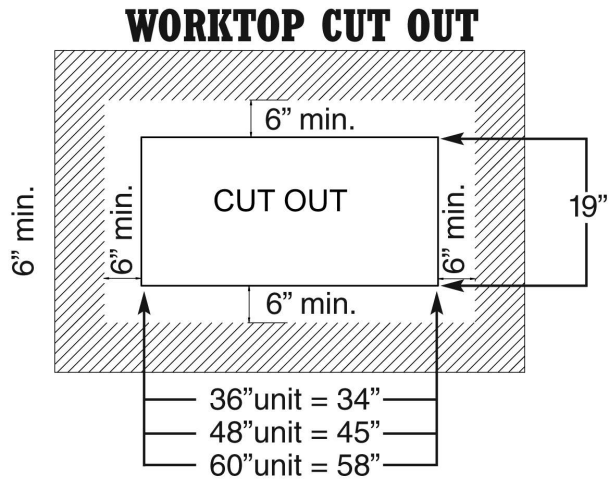
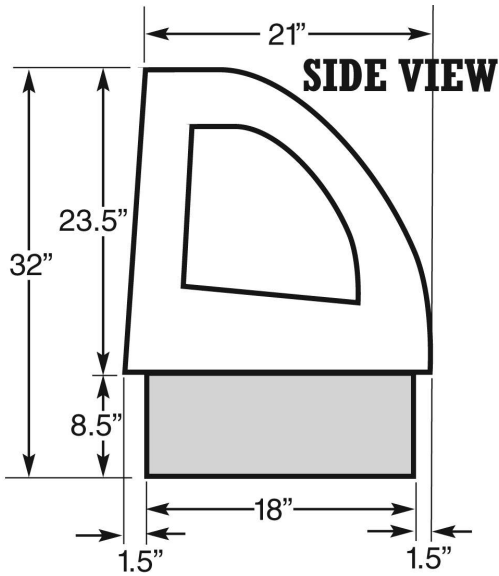
# ANVIL



**NOTE:**  
 When viewing the appliance from the front in its usual operating position, the width (W) of the product is the total distance from left to right ; the depth (D) of the product is the total distance from front to back ; the height (H) is the total distance from the bottom of the product to the top

## REFRIGERATED DISPLAY CABINET ELECTRIC

**MODELS:**  
 RDE7136  
 RDE7148  
 RDE7160



NEMA 5015P  
 110V

DESCRIPTION	REFRIGERATED D/C	REFRIGERATED D/C	REFRIGERATED D/C
<b>MODELS</b>	RDE7136	RDE7148	RDE7160
<b>WIDTH</b>	36"	48"	60"
<b>VOLTAGE</b>	110	110	110
<b>POWER (HP)</b>	0.55HP	0.70HP	0.76HP
<b>DIMENSIONS (in) (W x D x H)</b>	36 x 21 x 33	48 x 21 x 33	60 x 21 x 33
<b>BOX DIMNS (in) (W x D x H)</b>	39 x 25 x 40	51 x 25 x 40	63 x 25 x 40
<b>PACKED WEIGHT (lbs)</b>	220	254	286
<b>COMPLIES WITH SPEC</b>	NSF	NSF	NSF

Note: Output performance figures quoted are dependant on various factors.

Website: [www.anvilworld.com](http://www.anvilworld.com)

