



RFS-0650 Flake Ice Machine

Model

- RFS-0650A-161
 RFS-0650W-161
 RFS-0650A-261
 RFS-0650W-261



Model RFS-0650A
Flake Ice Machine
on B-420 Bin

Standard Features

- Up to 731 lbs. (332 kgs)* daily flake ice production.
- Now in standard measurements for perfect pairing with 22" ice bins. No adapter needed.
- Service updates facilitate installation and make cleaning easier.
- Energy Improvements with RFS models averaging 5% across the line.
- Ice forms around object without bruising and holds objects in place without tipping/spilling.

Warranty

- 3-year Parts.
- 2-year Labor.
- Compressor parts for 5 years and labor for 2 years.

Specifications

Condenser Heat of Rejection (BTU per hour):

Air: 10,250 (average)
Water: 2,250 (average)

Compressor:

Nominal rating: 1 HP
Refrigerant: R-404A

Operating Limits:

- Ambient Temperature Range: 50°-110°F (10°-43°C)
- Water Temperature Range 37°-90°F (3°-32°C)
- Water Pressure Ice Maker Water In
Min. 14 psi (96.5 kPa)
Max. 80 psi (551.6 kPa)
- Condenser Inlet Water In: (water-cooled only)
Min. 20 psi (137.9 kPa)
Max. 150 psi (1034.2 kPa)
Water Condenser not for sea water applications.

Ice Machine Electric

208-230/60/1 and 115/60/1 standard. (230/50/1 also available.)

Minimum circuit ampacity:

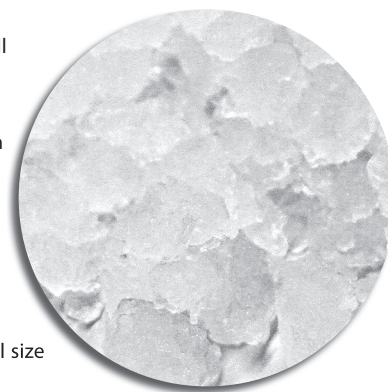
8.7 amps (208-230V air)
8.2 amps (208-230V water)
16.3 amps (115V air)
15.4 amps (115V water)

Maximum fuse size:

15 amps (208-230V)
25 amps (115V)
HACR-type circuit breakers can be used in place of fuses.

Ice Shape

Flake ice is small hard bits of ice ideally suited for presentation applications.



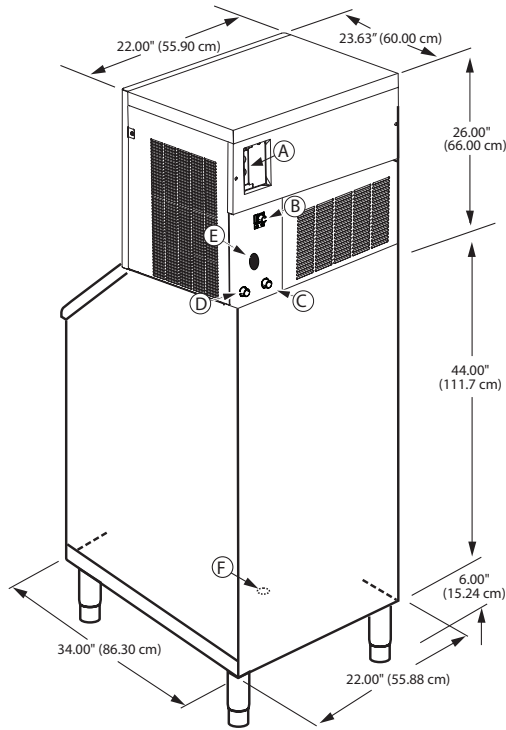
Ice shown actual size





RFS-0650 Flake Ice Machine

RFS-0650 on B-420 Storage Bin



Installation Note -
 Minimum installation clearance:
 Top/sides: 8" (20.32 cm),
 Back: 5" (12.70 cm).

- (A) Electrical Entrance (2) Options
- (B) 3/8" F.P.T. Condenser Inlet (water-cooled only)
- (C) 1/2" M.P.T. Condenser Drain (water-cooled only)
- (D) 1/2" M.P.T. Ice Making Water Drain
- (E) 3/8" F.P.T. Ice Making Water Inlet
- (F) 3/4" Bin Drain

Space-Saving Designs



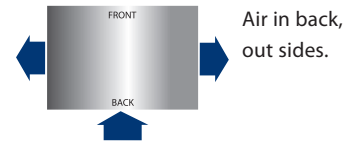
RFS-0650 on B-420	
Height	76.00" 193.00 cm
Width	22.00" 55.90 cm
Depth	34.00" 86.36 cm
Bin Storage	310 lbs. 140.7 kgs

Height includes adjustable bin legs
 6.00" to 7.00", (15.24 to 17.78 cm)
 set at 6.00" (15.24 cm).

Accessories

K-00365 30" B Style Bin Adapter

Air Flow Overhead View



Model	Ice Shape	Ice Production 24 Hours Based on Air/Water Temp				Power kWh/100 lbs @ 90°Air/70°F	Potable Water Usage (100 lbs./ 45.4 kgs of Ice)	Condenser Water at 90/70°F
		70° Air/50°F Water 21° Air/10° C Water		90° Air/70°F Water 32° Air/21° C Water				
RFS-0650A-261*	Flake	671 lbs.	305 kgs	545 lbs.	248 kgs	4.74	12 gal./45.4 L	N/A
RFS-0650W-261*	Flake	716 lbs.	325 kgs	597 lbs.	271 kgs	3.96	12 gal./45.4 L	65 gal./246 L
RFS-0650A-161*	Flake	730 lbs.	332 kgs	558 lbs.	254 kgs	4.89	12 gal./45.4 L	N/A
RFS-0650W-161*	Flake	731 lbs.	332 kgs	609 lbs.	277 kgs	3.88	12 gal./45.4 L	71 gal./269 L

*Data is PRELIMINARY.