

RWN-1, RWN-2, RWN-3 BUILT-IN NARROW DRAWER WARMERS

RWN-1, RWN-2, RWN-3 NARROW DRAWER WARMERS



Wells Narrow Drawer Warmers can keep a variety of foods hot and ready to serve. Their narrow width saves valuable space, yet the drawers accept all standard 12" x 20" pans up to 6" deep. All Wells warmers come with individual controls on each drawer for temperature and humidity, allowing food to be hot and crispy in one drawer, warm and moist in another.

Features

- **Narrow width saves space** while accommodating standard 12"x20" pans.
- **Exclusive self-latching mechanism** provides easy, one-touch, secure closure.
- **Individual thermostatic temperature control** on each drawer gives these warmers maximum versatility.
- **Durable stainless steel tracks and bearings** provide smooth, trouble-free operation.
- **Adjustable front vent** on each drawer allows for humidity control.
- **A stainless steel pan** is provided with each drawer warmer and is capable of holding a standard 12" x 20" pan.
- **Fully insulated** for maximum efficiency.
- **Models with optional built-in thermometer (T)** are NSF approved for potentially hazardous foods.
- **The RWN series Drawer Warmers** are Underwriters Laboratories, Inc. LISTED and meet the NSF International and Canadian standards.
- **A one-year warranty** against defects covers parts and labor.

Specifications

Overall Dimensions:	Inches	MM
Width	20 1/4	514
Depth	21 1/2	546
Height (incl. 4" legs & splashguard)		
RWN-1 series	14 7/8	378
RWN-2 series	25	635
Height (no legs)		
RWN-3 series	31 1/8	791
Temperature Range:	Fahrenheit	Celsius
RWN series	90° to 210°	32° to 99°
Pre-Heat Time to 175° F:	120V & 240V	208V
RW series	15 minutes	22 minutes
Typical Capacity:	Dinner Rolls	
Individual drawer	Approx. 8 doz.	
Weights:	Lbs.	KG
RWN-1 series:		
Installed	59	27
Shipping	71	32
RWN-2 series:		
Installed	106	48
Shipping	121	55
RWN-3 series:		
Installed	147	67
Shipping	183	83

Accessories / Options

Stainless Steel Replacement Pan, for all narrow drawer warmers, 22228

Optional Built-in Thermometer (T), for individual drawers, contact factory

Caster Kit, 10" high casters, set of four, with two front brakes, 21034

Caster Kit, 3 1/2" high casters, set of four, all with brakes, 22201

Leg Kit, 6", set of four, metal, 20576

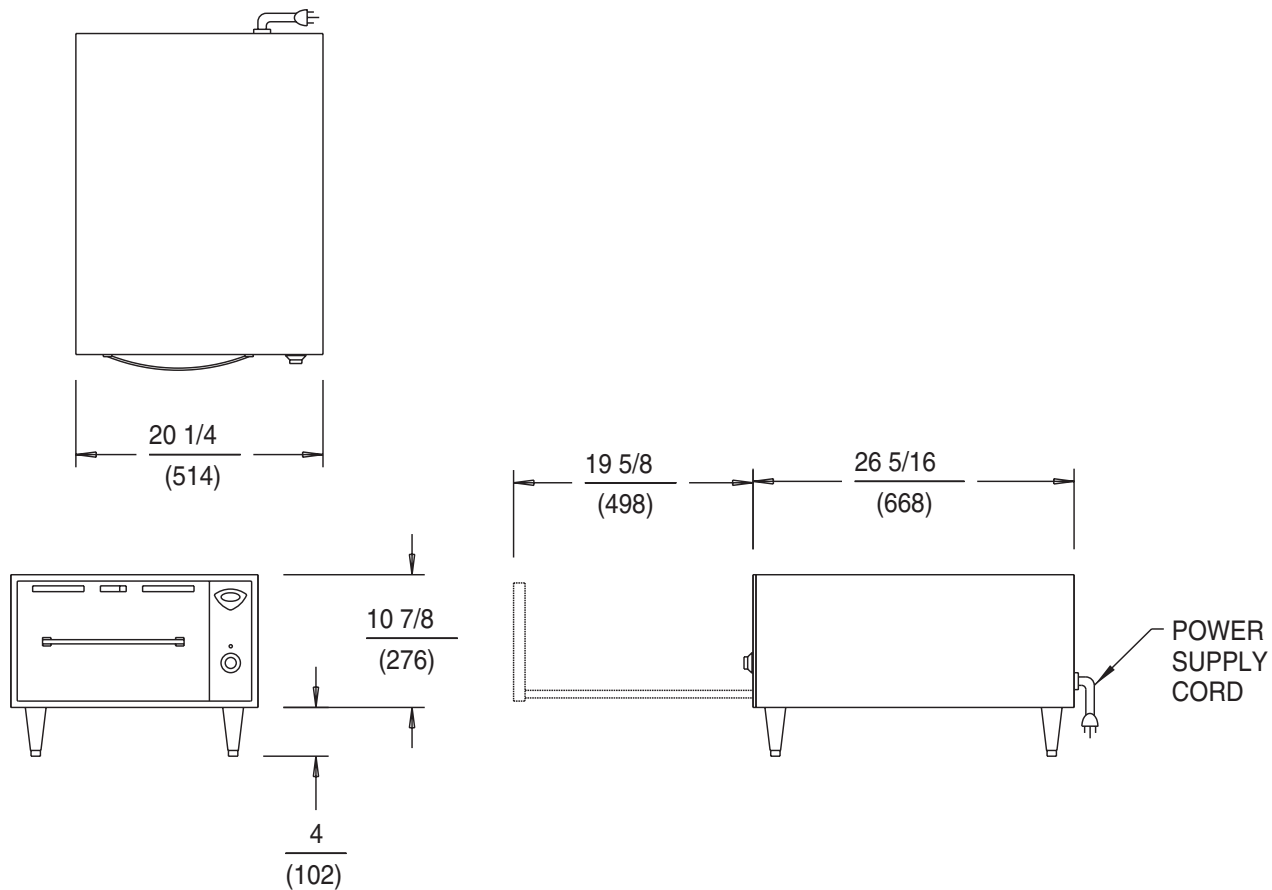




**MODEL
RWN-1, RWNT-1
NARROW DRAWER WARMERS**

DIMENSIONS:

INCH
(MM)



RWN-1, RWNT-1 ELECTRICAL SPECIFICATIONS:

MODELS	VOLTS	WATTS	AMPS	PHASE	POWER SUPPLY CORD
RWN-1	120	450	3.8	SINGLE	NEMA 5-15P
RWN-1	208	338	1.6	SINGLE	NEMA 6-15P
RWN-1	240	450	1.9	SINGLE	NEMA 6-15P

* RWNT-1 models are provided with a thermometer and have the same electrical specifications as the standard models.

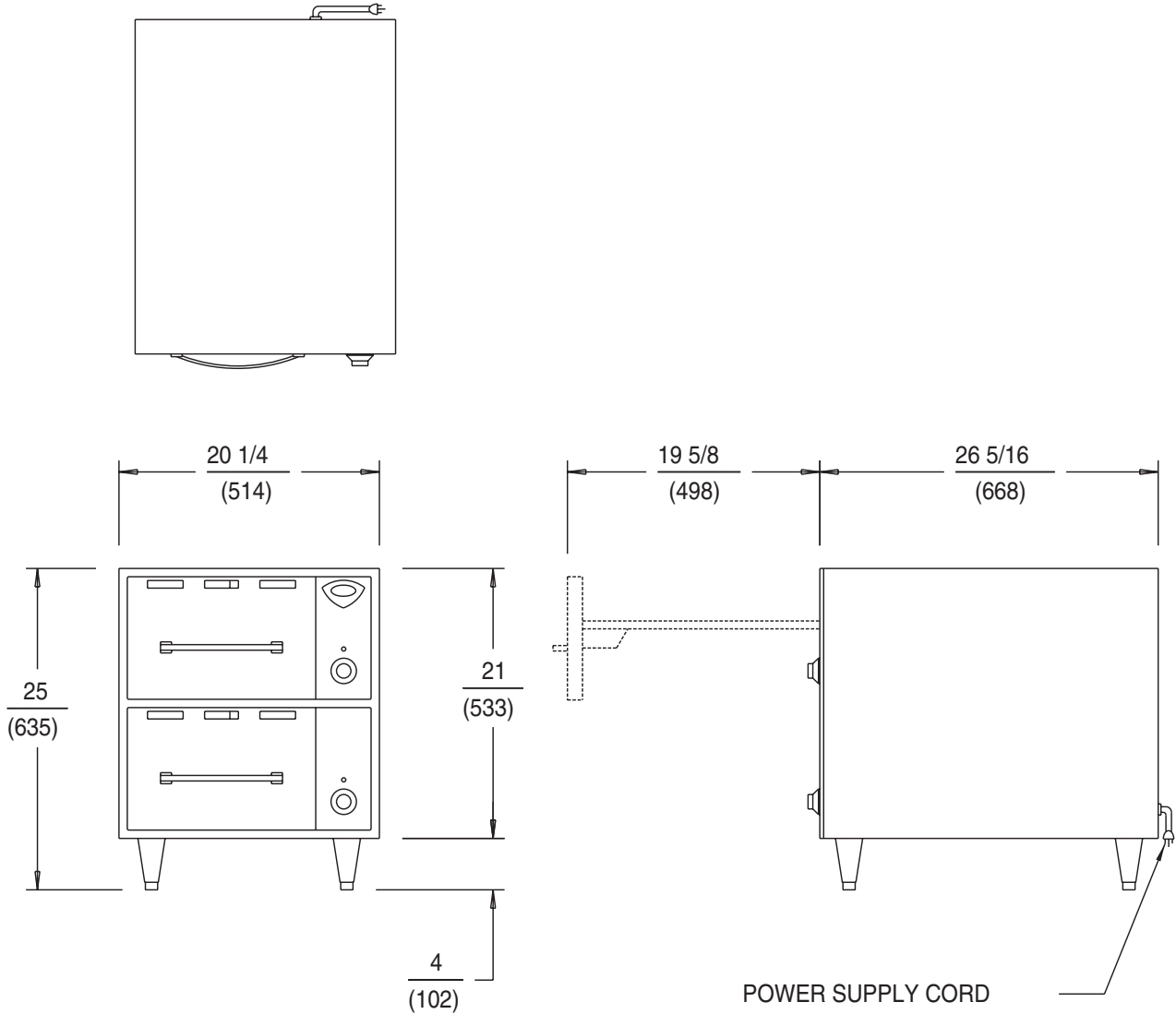
NOTE: Specifications are subject to change without notice.



**MODEL
RWN-2, RWNT-2
NARROW DRAWER WARMERS**

DIMENSIONS:

INCH
(MM)



RWN-2, RWNT-2 ELECTRICAL SPECIFICATIONS:

MODELS	VOLTS	WATTS	AMPS	PHASE	POWER SUPPLY CORD
RWN-2	120	900	7.5	SINGLE	NEMA 5-15P
RWN-2	208	676	3.3	SINGLE	NEMA 6-15P
RWN-2	240	900	3.8	SINGLE	NEMA 6-15P

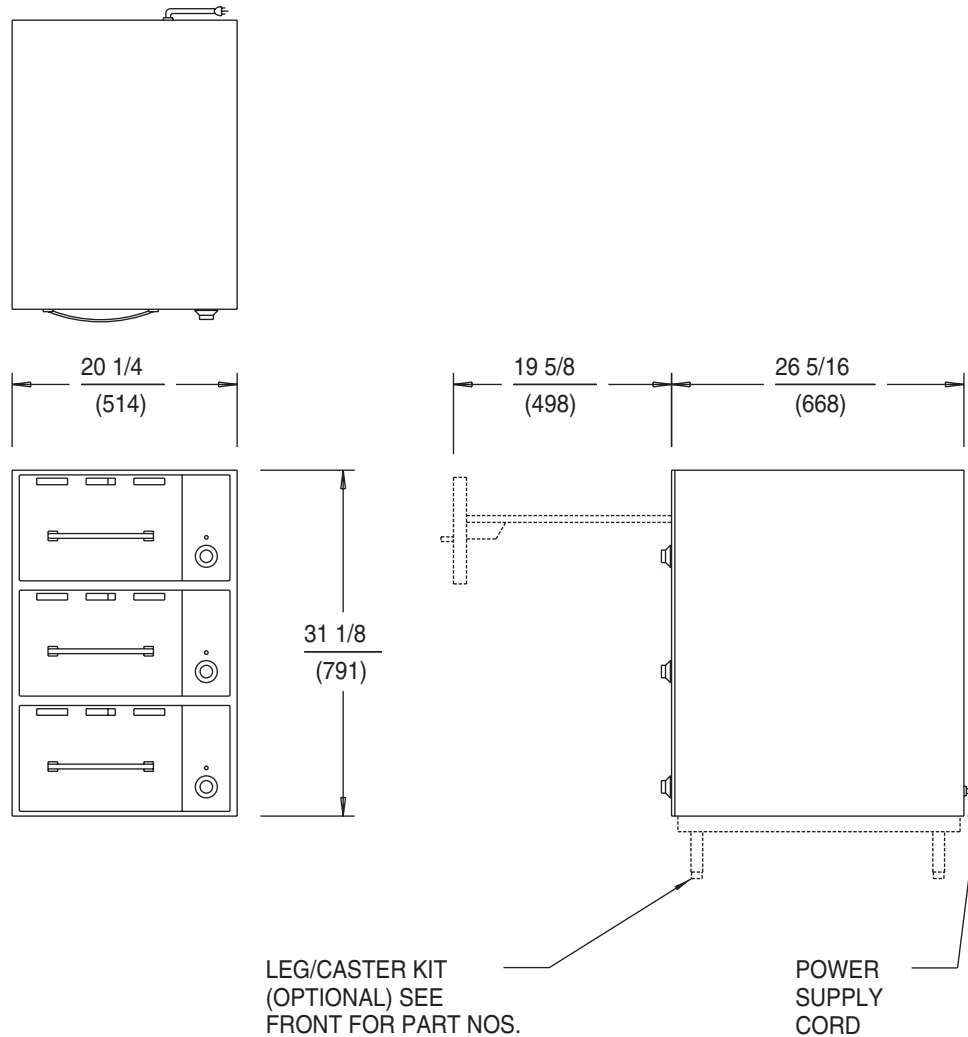
* RWNT-2 models are provided with a thermometer and have the same electrical specifications as the standard models.

NOTE: Specifications are subject to change without notice.



**MODEL
RWN-3, RWNT-3
NARROW DRAWER WARMERS**

DIMENSIONS: $\frac{\text{INCH}}{\text{(MM)}}$



RWN-3, RWNT-3 ELECTRICAL SPECIFICATIONS:

MODELS	VOLTS	WATTS	AMPS	PHASE	POWER SUPPLY CORD
RWN-3	120	1350	11.3	SINGLE	NEMA 5-15P
RWN-3	208	1014	4.9	SINGLE	NEMA 6-15P
RWN-3	240	1350	5.6	SINGLE	NEMA 6-15P

* RWNT-3 models are provided with a thermometer and have the same electrical specifications as the standard models.

NOTE: Specifications are subject to change without notice.

WELLS MANUFACTURING COMPANY
 2 ERIK CIRCLE, PO BOX 280, VERDI, NV 89439 U.S.A.
 USA PHONE: (775) 689-5700 • FAX: (775) 689-5972
 FOR ORDERS ONLY: (888) 356-5362 • FAX: (800) 356-5142
 www.wellsbloomfield.com
 © 2002 WELLS MANUFACTURING • PRINTED IN THE U.S.A.
 02/02 • REV(F) • PART NO. 37116

