

## Open Merchandisers - Ovation Series Endless Design 60"H - Produce

- PRODUCT SPECIFICATIONS SHEETS



- Cases are designed to operate at 75 degrees Fahrenheit and 55% relative humidity

Self-Contained Remote	SC-OP30E-3L-LS R-OP30E-3L-LS	SC-OP30E-4L-LS R-OP30E-4L-LS	SC-OP30E-6L-LS R-OP30E-6L-LS	SC-OP30E-8L-LS R-OP30E-8L-LS
-----------------------	---------------------------------	---------------------------------	---------------------------------	---------------------------------

Length with ends	39"	51"	75"	99"
Length without ends	36"	48"	72"	96"
Height with ends	60"	60"	60"	60"
Depth with ends	30"	30"	30"	30"

(Dimensions are +/-1/4")

- Specification subject to change without notice

## Open Merchandisers - Ovation Series Endless Design 60"H - Produce

### Standard Specifications and Optional Features

<p><b>CONSTRUCTION</b>          UL Classified to ANSI/NSF 7          Foamed in place CFC free foam          Heavy gauge steel super structure          Multi deck          Endless design allows for continuous line up</p>	<p><b>FINISHES</b>          Designer white or black end panels          Designer white or black front bumper          Designer white or black end trim          Designer white or black rear</p>
<p><b>INTERIOR</b>          Designer white or black end panels          Removable designer white or black floor racks          Designer white or black perforated rear wall (<i>for even air distribution</i>)          Full length lighting at top of unit          1 level of 14" shelving with product stops          Full length mirror to enhance product display          Stylish tag molding on shelf</p>	<p><b>REFRIGERATION</b>          R404A expansion valve system          Low velocity fans located below deck area (<i>to insure even flow of air</i>)          Pressure control maintains constant temperatures          Automatic defrost controlled by time clock (<i>self contained units only</i>)          Air screen technology          Self contained system          Copeland hermetic unit          Remotes available</p>
<p><b>EXTERIOR</b>          Designer white or black ends and front          Designer white or black bumper          Designer white or black end trim          Removable front grille for cleaning and servicing          Plexiglas on end panel</p>	<p><b>LIGHTING</b>          1 row at inside top of unit          1 lighted shelf with product stop</p>
<p><b>ELECTRICAL REQUIREMENTS</b>          Unit must be hard wired          UL/CUL Listed          See technical page for voltage</p>	<p><b><i>Important Note: All refrigerated cases are designed to operate in an environment of 75 degrees and 55% relative humidity.</i></b></p> <p><b><i>Important Note: DRAIN IS REQUIRED</i></b></p>

(ALL WHITE OR ALL BLACK, NO EXTRA CHARGE—IF COLORS ARE MIXED AN ADDITIONAL CHARGE WILL APPLY)

### OPTIONAL FEATURES

<p>Night cover          Peg bars          Condensate pan (4' case only)          Insulated divider for line ups          Electronic control system</p>	<p>Stainless steel, laminate or colors          Security cover          Plexiglas divider for line ups          Digital thermometer</p>
--	---



## Open Merchandisers - Ovation Series Endless Design 60"H - Produce

### Technical Data

Model	Self contained	SC-OP30E-3L-LS	SC-OP30E-4L-LS	SC-OP30E-6L-LS	SC-OP30E-8L-LS
	Remote	R-OP30E-3L-LS	R-OP30E-4L-LS	R-OP30E-6L-LS	R-OP30E-8L-LS
Length with ends Length without ends Height with ends Depth with ends (Dimensions are +/- 1/4")		39" 36" 60" 30"	51" 48" 60" 30"	75" 72" 60" 30"	99" 96" 60" 30"
Operating temperature Refrigerant (expansion valve) Compressor size- HP Pressure control settings @ 75°F, 55%RH	Self contained Self contained	38°F to 41°F R404A 1/2	38°F to 41°F R404A 1/2	38°F to 41°F R404A 1/2	38°F to 41°F R404A 3/4
Defrost per day (24 hours) BTU's at +20°F Evap. Temp. Voltage Amperage Amperage, lights & fans Cord and plug	CUT IN CUT OUT Air Defrost Remote Self contained Remote	88 54 3 @ 30 min. 2400 115V 11.7A 1.0A No	88 54 3 @ 30 min. 3200 115V 12.4A 1.7A No	88 54 3 @ 30 min. 4800 115V 13.5A 2.0A No	88 54 3 @ 30 min. 6400 115/208-230V 12.5A 3.4A No
Exterior color Interior color Inside end panels Floors		White or Black White or Black White or Black White or Black	White or Black White or Black White or Black White or Black	White or Black White or Black White or Black White or Black	White or Black White or Black White or Black White or Black

(ALL WHITE OR ALL BLACK, NO EXTRA CHARGE—IF COLORS ARE MIXED AN ADDITIONAL CHARGE WILL APPLY)

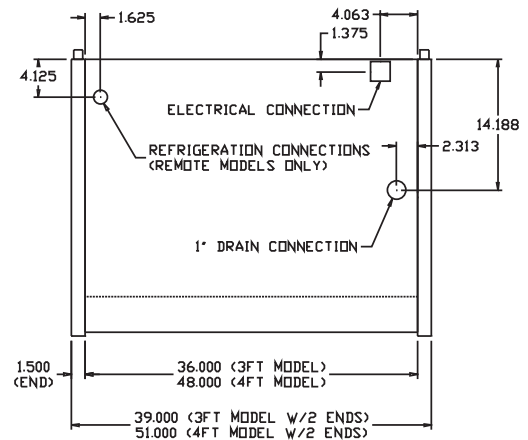
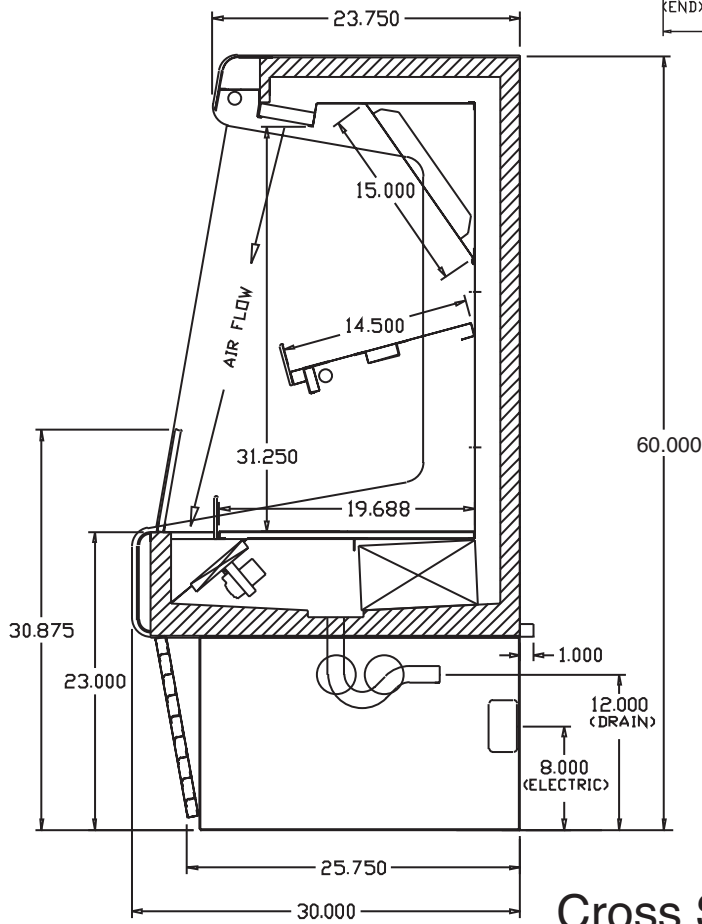
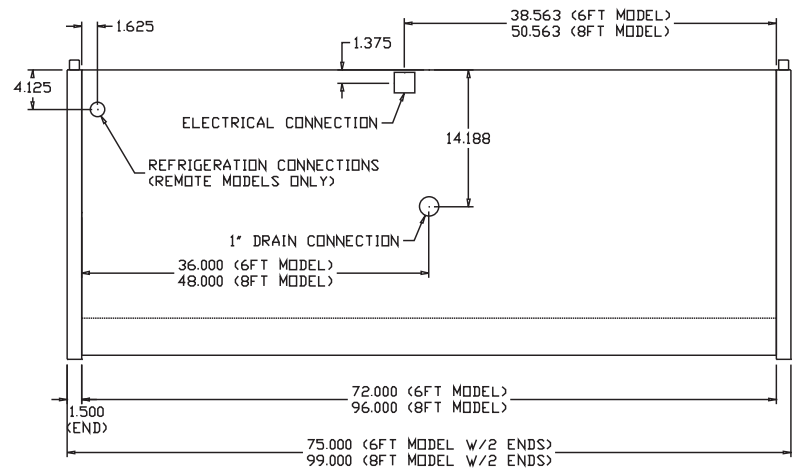
### SHIPPING INFORMATION

Height		65"	65"	65"	65"
Depth		44"	44"	44"	44"
Length		61"	61"	87"	109"
Gross weight	Self contained Remote	495# 370#	575# 450#	800# 675#	1025# 875#
Cubic feet		99ft <sup>3</sup>	99ft <sup>3</sup>	142ft <sup>3</sup>	177ft <sup>3</sup>

- Cases are designed to operate at 75 degrees Fahrenheit and 55% relative humidity
- Cases are equipped with drains; check your local building codes for connection requirements.
- Specification subject to change without notice

## Open Merchandisers - Ovation Series Endless Design 60"H - Produce

### Technical Data • Side View • Plan View



Plan View

Cross Section