

## Open Merchandisers-32 Series Endless Design - Produce Case with Shelf

• PRODUCT SPECIFICATIONS SHEETS



- Cases are designed to operate at 75 degrees Fahrenheit and 55% relative humidity

**Self-Contained  
Remote**

**SC-P32E-4S  
R-P32E-4S**

**SC-P32E-6S  
R-P32E-6S**

**SC-P32E-8S  
R-P32E-8S**

Length with ends  
Length without ends  
Height with ends  
Height without ends  
Depth with ends  
(Dimensions are +/-1/4")

50"  
48"  
72-3/4"  
71-7/8"  
29-3/8"

74"  
72"  
72-3/4"  
71-7/8"  
29-3/8"

98"  
96"  
72-3/4"  
71-7/8"  
29-3/8"

- Specification subject to change without notice

## Standard Specifications and Optional Features

<p><b>CONSTRUCTION</b>          UL Classified to ANSI/NSF 7          Heavy gauge steel super structure          Foamed in place CFC free foam          Multi deck          Endless design allows for continuous line up</p>	<p><b>FINISHES</b>          Designer white or black end panels          Designer white or black front rail          Designer white or black front color band          Designer white or black end trim          Coated galvanized rear</p>
<p><b>INTERIOR</b>          Designer white or black end panels          Removable designer white or black floor pans          Designer white or black perforated rear wall (<i>for even air distribution</i>)          Full length lighting at top of unit          1 level of 14" shelving with product stop          Telescoping display rack          2 levels of product display          Over 50" of display area 14"          Full length mirror to enhance product display          Stylish tag molding on each shelf</p>	<p><b>REFRIGERATION</b>          R404A expansion valve system          Low velocity fans located below deck area (<i>to insure even flow of air</i>)          Pressure control maintains constant temperatures          Automatic defrost controlled by time clock (<i>self contained units only</i>)          Air screen technology          Self contained system          Copeland hermetic unit          Remotes available</p>
<p><b>EXTERIOR</b>          Designer white or black ends and front          Designer white or black color-band          Designer white or black end trim          Removable front grille allows for cleaning and servicing          1" designer gray bumper</p>	<p><b>LIGHTING</b>          1 row at inside top of unit</p>
<p><b>ELECTRICAL REQUIREMENTS</b>          Unit must be hard wired          UL/CUL listed          See Tech page for details on voltage</p>	<p><b>Important Note: All refrigerated cases are designed to operate in an environment of 75 degrees and 55% relative humidity.</b></p> <p><b>Important Note: Product must be cooled before being displayed within the case.</b></p> <p><b>Important Note: DRAIN IS REQUIRED</b></p>

### OPTIONAL FEATURES

<p>Night covers          Peg bars          Step shelves          Condensate pan-4' case only          Insulated divider for line ups</p>	<p>4" of Plexiglas on end panel          Stainless steel, laminated or paint          Security cover          Plexiglas divider for line ups          Digital thermometer</p>
--	---

(ALL WHITE OR ALL BLACK, NO EXTRA CHARGE—IF COLORS ARE MIXED AN ADDITIONAL CHARGE WILL APPLY)

## Open Merchandisers 32 Series – Endless Design - Produce Case with Shelf

### Technical Data

Model	Self contained	SC- P32E-4S	SC-P32E-6S	SC-P32E-8S
	Remote	R-P32E-4S	R-P32E-6S	R-P32E-8S
Length with ends Length without ends Height with ends Height without ends Depth with ends (Dimensions are +/- 1/4")		50" 48" 72-3/8" 71-7/8" 29-3/8"	74" 72" 72-3/8" 71-7/8" 29-3/8"	98" 96" 72-3/8" 71-7/8" 29-3/8"
Operating temperature Refrigerant (expansion valve) Compressor size HP Pressure control settings @ 75°F, 55%RH  Defrost per day (24 hours) BTU's at +20°F Evap. Temp. Voltage Amperage Amperage Cord and plug	Self contained Self contained  CUT IN CUT OUT Air Defrost Remote  Self contained Remote	38°F to 41°F R404A 1/2  88 54 3 @ 30 min. 4000 115V 12.7A 1.8A No	38°F to 41°F R404A 3/4  88 54 3 @ 30 min. 6000 115/208-230V 12.0A 3.2A No	38°F to 41°F R404A 1  88 54 3 @ 30 min. 8000 115/208-230V 13.8A 3.8A No
Exterior color Interior color Inside end panels Floors		White or Black White or Black White or Black White or Black	White or Black White or Black White or Black White or Black	White or Black White or Black White or Black White or Black

(ALL WHITE OR ALL BLACK, NO EXTRA CHARGE—IF COLORS ARE MIXED AN ADDITIONAL CHARGE WILL APPLY)

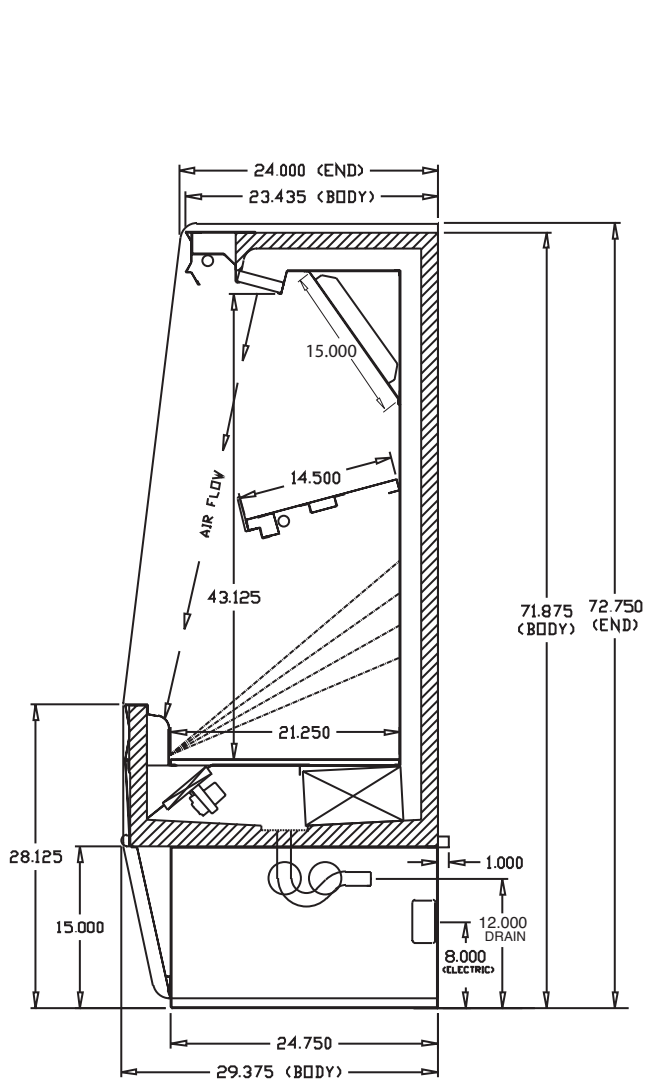
### SHIPPING INFORMATION

Height		76"	76"	76"
Depth		44"	44"	44"
Length		61"	87"	109"
Gross weight	Self contained Remote	615# 490#	825# 675#	1097# 922#
Cubic feet		118ft <sup>3</sup>	168ft <sup>3</sup>	211ft <sup>3</sup>

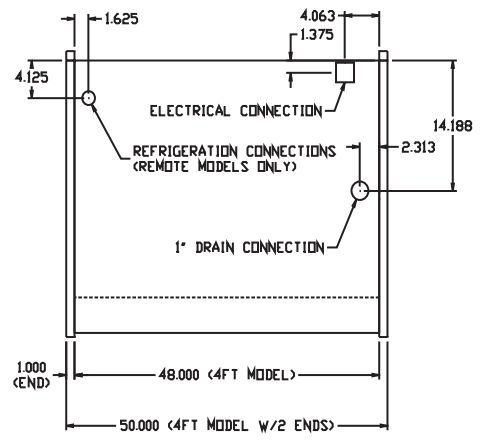
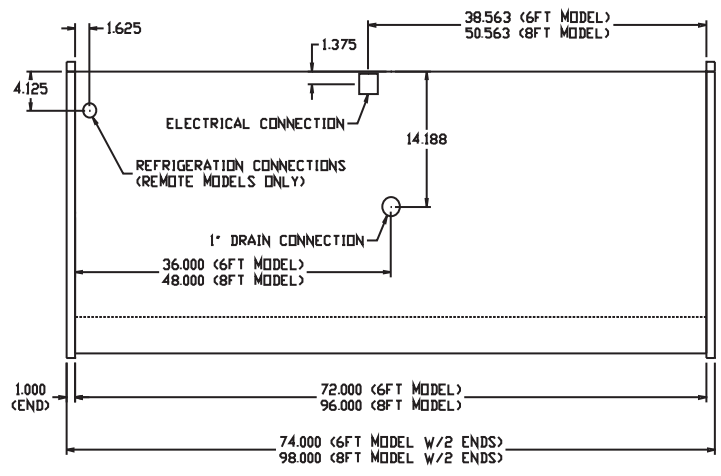
- Cases are designed to operate at 75 degrees Fahrenheit and 55% relative humidity
- Cases are equipped with drains; check your local building codes for connection requirements.
- Specification subject to change without notice

## Open Merchandisers 32 Series – Endless Design - Produce Case with Shelf

### Technical Data • Side View • Plan View



Cross Section



Plan View