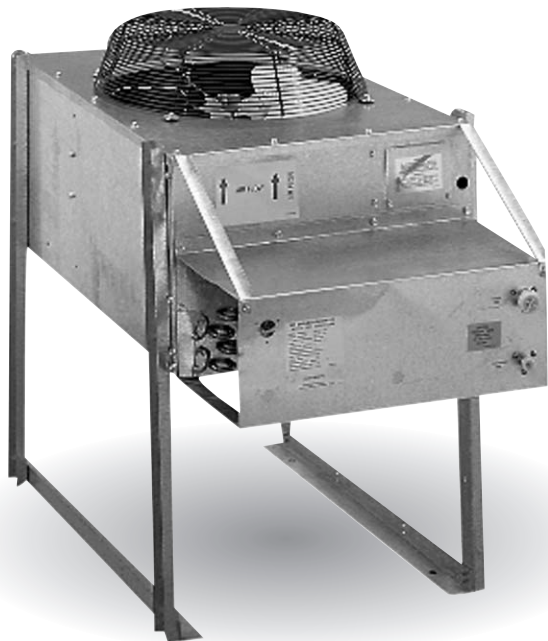
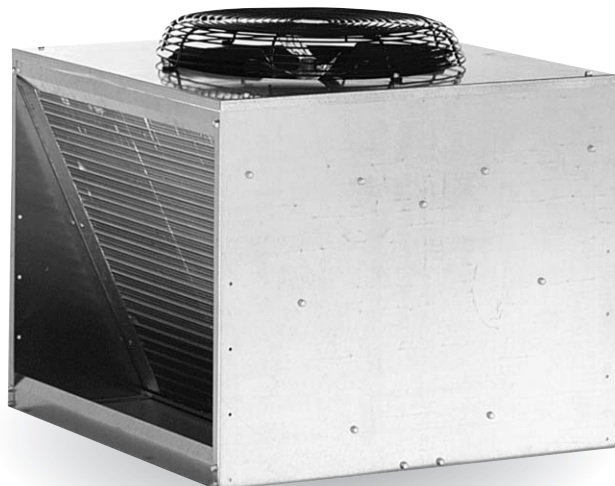


# SCOTSMAN

AIR COOLED REMOTE CONDENSERS



ERC201



ERC311

## ERC SERIES

### FLEXIBLE

- Operates in wide outdoor temperature range from -20° to 120°F.
- Single or double circuit for single or double unit installations.

### RELIABLE

- Heavy gauge galvanized steel for corrosion resistance.
- Thermally protected fan motors.
- PVC coated steel fan guards.
- Direct drive fan blades.
- Standard Aero-Quip fittings.

### OPTIONS

- Choice of pre-charged, insulated, refrigerant line sets with easy to install quick-connect couplings. Available in 10ft., 25ft., 40ft., and 75 ft. lines.

### WARRANTY PROTECTION *See dealer for complete warranty details.*

- 3 years parts and labor on all components.

CERTIFIED  
**ISO**  
9001:2000

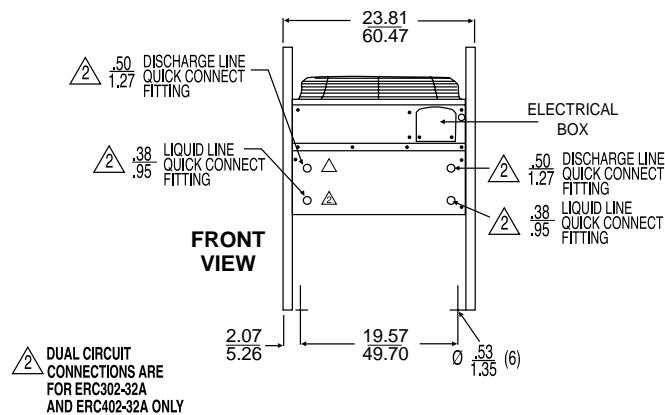
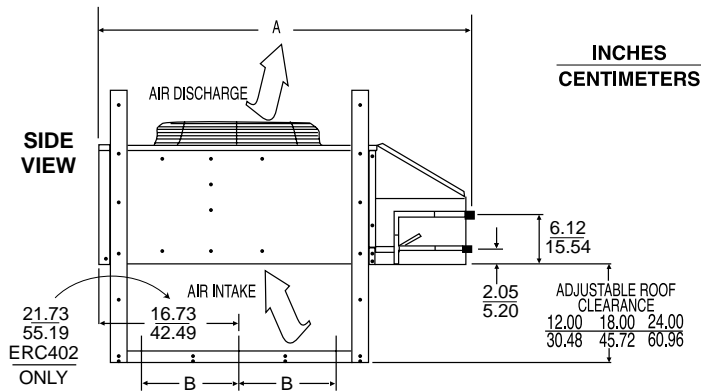
This product qualifies for the following listings:



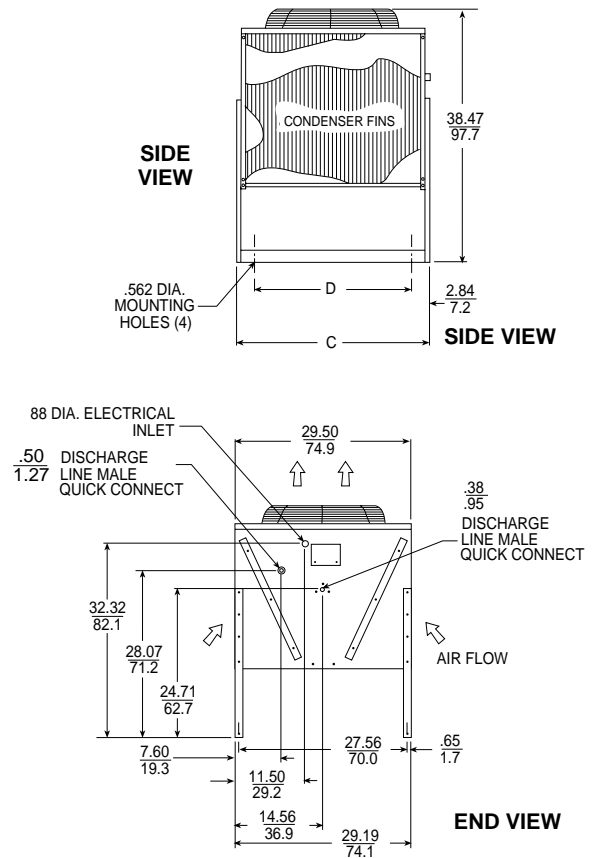
 **Scotsman**<sup>®</sup>

# Remote Condensers Specifications

## ERC - Horizontal Coil Series



## ERC - Vertical Coil Series



### ERC-Horizontal Coil Series

Model Number	A Overall Length	B Mounting Hole Spacing	Voltage	Number of Circuits	Min. Circuit Ampacity	Contains Headmaster?	Shipping Weight lbs./kg.
ERC101-1A	44 1/8"	11.55"	115/60/1	1	6.0	No	115/52
ERC151-32A	44 1/8"	11.55"	208-230/60/1	1	2.6	No	110/50
ERC201-32A	44 1/8"	11.55"	208-230/60/1	1	2.6	No	130/59
ERC302-32A	44 1/8"	11.55"	208-230/60/1	2	2.6	No	115/52
ERC402-32A	54 1/8"	16.65"	208-230/60/1	2	2.6	No	140/64

NOTE: All have a galvanized finish. All are 23 13/16" wide. All have adjustable height legs. Heights are 12", 18" and 24". Total height with legs is 29.25" or 35.25" or 41.25". All are designed to be powered by the ice machine they are connected to. The minimum circuit ampacity and maximum fuse size of the ice machine includes the requirements of the remote condenser.

OPTIONS: KCMR-230 fan relay kit. Required when connecting two ice machines to a single condenser.

### ERC-Vertical Coil Series

Model Number	C Overall Length	D Mounting Hole Spacing	Voltage	Number of Circuits	Min. Circuit Ampacity	Contains Headmaster?	Shipping Weight lbs./kg.
ERC111-1A	29 1/8"	23.54"	115/60/1	1	2.7	Yes	95/43
ERC211-1A	29 1/8"	23.54"	115/60/1	2	2.7	Yes	115/52
ERC311-32A	29 1/8"	23.54"	208-230/60/1	1	2.6	Yes	130/59
ERC411-32A	29 1/8"	23.54"	208-230/60/1	1	2.6	Yes	115/52
ERC611-32A	37 3/4"	32.16"	208-230/60/1	1	1.9	Yes	140/64

NOTE: All have a galvanized finish. All are 29.5" wide x 38.5" high with legs. All are designed to be powered by the ice machine they are connected to. The minimum circuit ampacity and maximum fuse size of the ice machine includes the requirements of the remote condenser. All but the ERC611 have 1/2" discharge and 3/8" liquid line connections. The ERC611 has a 5/8" discharge line connection.

Scotsman's ice machines are not designed for outdoor installations. Scotsman remote condensers are designed for outdoor installations.

Machine requires voltage indicated on rating name plate. Failures caused by improper voltage are not considered factory defects. Extended periods of operation at temperatures exceeding limitations constitutes misuse under the terms of Scotsman Manufacturer's Limited Warranty, resulting in a loss of warranty coverage. Specifications and design are subject to change without notice.

**YOU'LL VALUE THE DIFFERENCE™**

775 Corporate Woods Parkway • Vernon Hills, IL 60061 • 1-800-SCOTSMAN • Fax: (847) 913-9844  
Visit our website at: [www.scotsman-ice.com](http://www.scotsman-ice.com) • E-mail: [customer.service@scotsman-ice.com](mailto:customer.service@scotsman-ice.com)

**Scotsman®**