

MODEL: \_\_\_\_\_ PROJECT: \_\_\_\_\_ ITEM #: \_\_\_\_\_ QTY: \_\_\_\_\_

### PRODUCT IMAGE



AVAILABLE WITH LEFT OR RIGHT SIDE COMPRESSOR

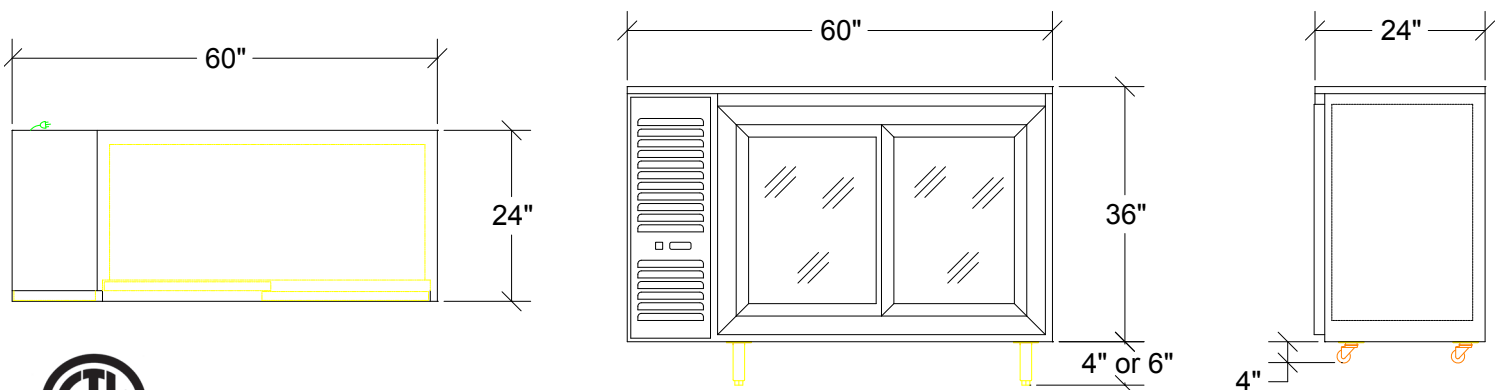
### OPTIONAL ACCESSORIES

- **BS-100** Four 6" Stainless Steel Legs
- **BS-102** Four 4" Stainless Steel Legs
- **BS-106** Left Side Stainless Steel Kick Plate
- **BS-107** Right Side Stainless Steel Kick Plate
- **BS-108** Four 3" Casters with brakes
- **BS-160** 60" Stainless Steel Front Kick Plate

#### IMPORTANT NOTE:

**DO NOT PLUG INTO GFI OUTLET**

*\* This equipment is intended for the storage and display of non-potentially-hazardous bottle or canned products only \**



#### APPROVED BY:

#### CERTIFICATIONS:

Due to our commitment to continued product improvement, specifications are subject to change without notice.