



BLENDER B-50

Professional beater. 1.1 Hp / 570 W.



OPTIONAL

- MA-52 mixer arm.
- MA-51 mixer arm.
- "Quick fix" clamp.
- Clamp sliding frame.

SPECIFICATIONS

Total loading: 1.1 Hp / 570 W
 Motor speed: 200 - 1500 rpm
 Capacity (egg whites): 2 - 80
 Length
 Revolving arm length: 15.95 "
 Total length (with revolving arm): 29.37 "
 Net weight: 9.72 lbs
 Noise level (1m.): <80 dB(A)

Crated dimensions

22.6 x 17.9 x 5.1 "
 Gross weight: 11.2 lbs.

AVAILABLE MODELS

3030837 Beater B-50 120/50-60/1

* Ask for special versions availability

SALES DESCRIPTION

- ✓ Variable speed motor block.
- ✓ Whisk with capacity for 2 to 80 egg whites.

Professional performance

- ✓ Vario-speed: variable speed.
- ✓ Beater with capacity for 2 to 80 egg whites.

Maximum comfort for the user

- ✓ Logical and manageable size.
- ✓ Ergo-design & bi-mat-grip: external casing made in two materials for an ergonomic hold. Anti-slip grip. Optimum inclination of handle, minimising fatigue.
- ✓ Click-on-arm: detachable arm with fast and secure closure.
- ✓ Intuitive use: very simple operation. LED warning light in two colours to indicate the status of the machine.
- ✓ Possibility of continuous operation.

Built to last

- ✓ Professional performance: capable of carrying out prolonged work without the casing overheating.
- ✓ Life-plus: equipped with a motor which has passed all of the most demanding usage tests.
- ✓ Studied geometry: casing designed to avoid rolling and falling.
- ✓ Easy to clean: detachable arm, can be cleaned under the tap.
- ✓ Approved by NSF: guaranteed safety and hygiene.

INCLUDES

- ✓ Variable speed motor block.
- ✓ Wall mount.
- ✓ Whisk BA-50.



DYNAMIC PREPARATION
COMMERCIAL HAND BLENDERS

product sheet
updated 07/21/22

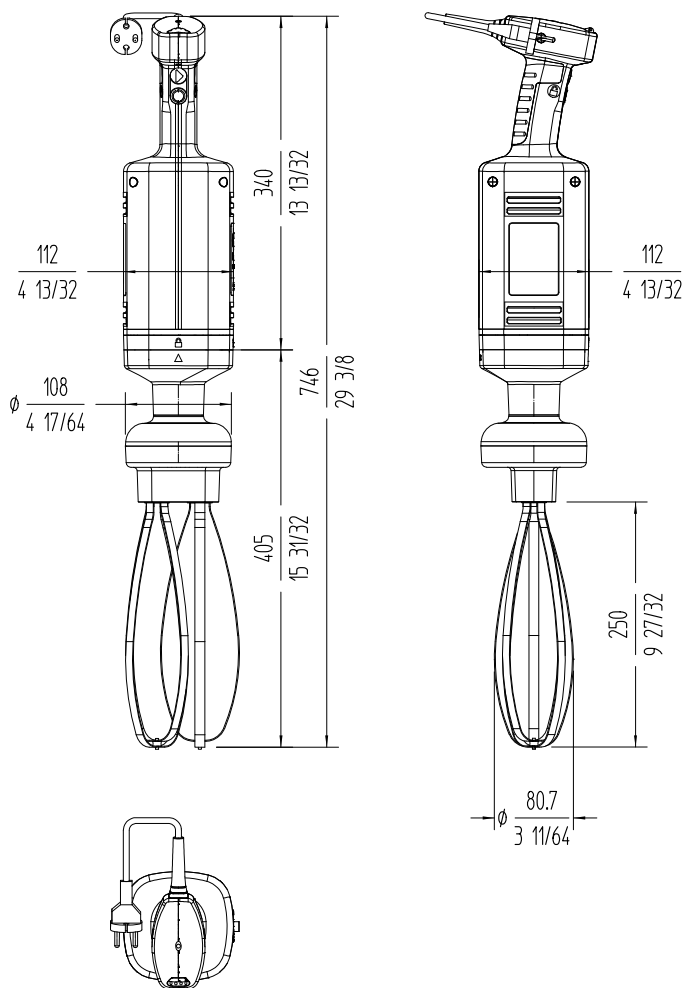


BLENDER B-50

Professional beater. 1.1 Hp / 570 W.



DYNAMIC PREPARATION
COMMERCIAL HAND BLENDERS



sammic | www.sammic.us
Food Service Equipment Manufacturer

usa@sammic.com
1225 Hartrey Avenue
60202-1056 Evanston, IL

phone +1 (224) 307-2232
toll free +1 844 275 3848



Project	Date
Item	Qty
Approved	

product sheet
updated 07/21/22