

SS-8T, SS-10T BUILT-IN ROUND FOOD WARMERS

SS-8T, SS-10T BUILT-IN ROUND FOOD WARMERS



Wells SS-8T and SS-10T Built-In Round Food Warmers have stainless steel, deep-drawn warming pans and are suitable for either wet or dry operation. These warmers are designed for installation into a metal counter only and can adapt to a variety of sizes to fit your needs.

Features

- **The tubular element**, located under the warming pan, allows for quick and efficient heating.
- **Positive-off thermostat** controls the element, allowing for adjustable and more consistent temperatures.
- Control is provided with an **oval panel with protective guard ring** to prevent accidental temperature changes.
- Models are available with an **optional 1/2" drain (D)**.
- Warmers are designed for either **wet or dry operation**.
- **Wellslok** allows for quick and easy installation in stainless steel countertops.
- **The SS-8T and SS-10T Warmers** are Underwriters Laboratories, Inc. RECOGNIZED and meet NSF International and Canadian standards.
- **A one-year warranty** against defects covers parts and labor.

Specifications

Overall Dimensions:	Inches	MM
Diameter		
SS-8T series	10 1/16	256
SS-10T series	12	305
Height		
SS-8T series	8 3/8	213
SS-10T series	8 3/8	213
Temperature Settings:	OFF/LO to HI	
Weights:		
	Lbs.	KG
SS-8T series		
Installed	5	2
Shipping	6	3
SS-10T series		
Installed	6	3
Shipping	7	3

Accessories / Options

Adapter Top, to convert SS-8T to hold one 4-quart inset, 20177

Adapter Top, to convert SS-10T to hold one 4-quart inset, 20822

Adapter Top, to convert SS-10T to hold one 7-quart inset, 20175

Inset, 4-quart capacity with lid, 20774

Inset, 7-quart capacity with lid, 20587

Inset, 11-quart capacity with hinged lid, 21057

Optional Drain (D) is available

Drain Valve Extension Kit, extension from drain to counter front with remote handle, (D) models only, 20385

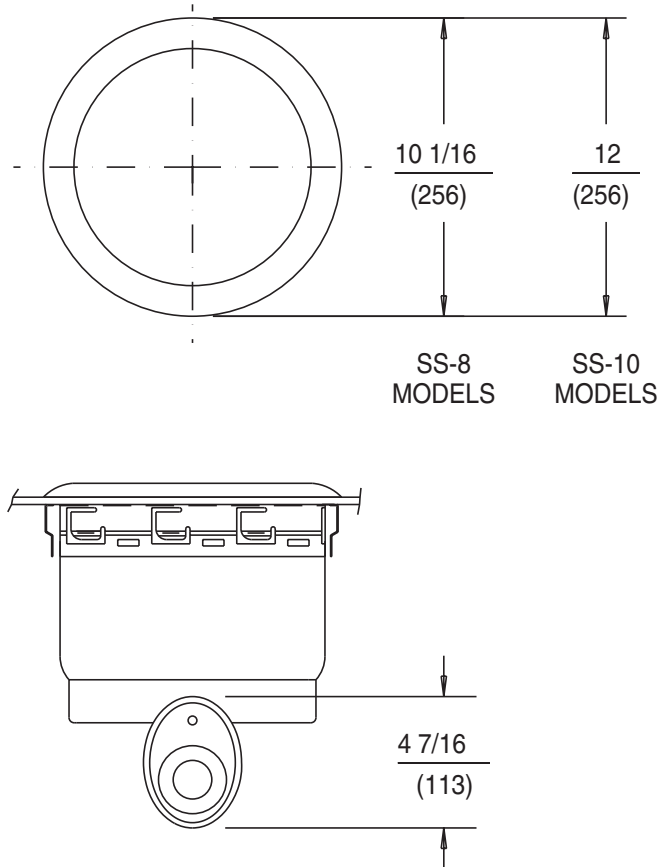




**MODELS
SS-8T, SS-10T
BUILT-IN ROUND
FOOD WARMERS**

DIMENSIONS:

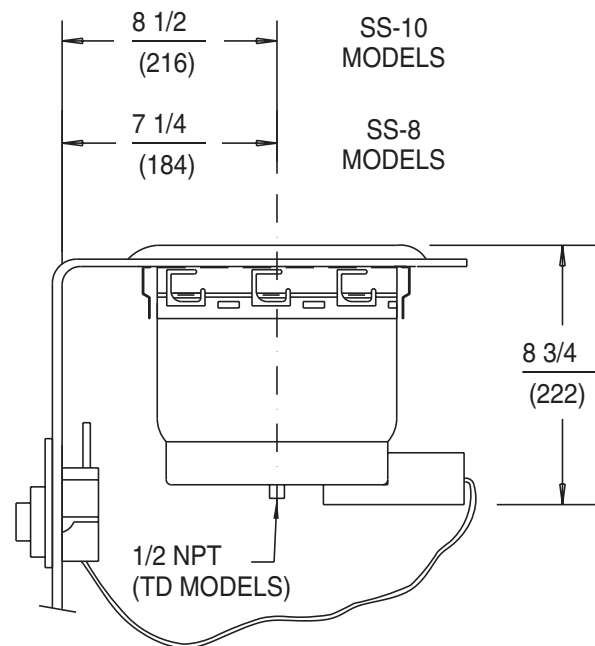
INCH
(MM)



SUGGESTED CLEARANCE FROM UNIT TO THE NEAREST SURFACE			
BACK	SIDE	BOTTOM	FRONT*
$\frac{1}{1}$ (25)	$\frac{1}{1}$ (25)	$\frac{8\ 1/2}{1}$ (216)	$\frac{4}{1}$ (102)

* When control box is located below the unit, front clearance can be 2 inches.

NOTE: Depending on the installation, clearances can be reduced upon further evaluations to UL standards.



SS-8T, SS-10T ELECTRICAL SPECIFICATIONS:

MODELS	VOLTS	WATTS	AMPS	PHASE	POWER SUPPLY CORD
SS-8, 10T	120	825	6.9	SINGLE	NONE
SS-8, 10T	208	620	3.0	SINGLE	NONE
SS-8, 10T	240	825	3.4	SINGLE	NONE

All models with a 'D' suffix have the same electrical specifications as the standard units.

NOTE: Specifications are subject to change without notice. See installation instructions prior to installing the unit. This document is not for installation purposes. The installation of recognized component units requires additional evaluations to Underwriters Laboratories, Inc. standards.

THIS UNIT IS DESIGNED TO BE INSTALLED IN METAL COUNTERS ONLY.

