

3 Gallon Iced Tea Brewer with Portable Server

ITEM# _____

PROJECT _____

DATE _____



Model TB3Q with TDO-4 Dispenser*
(TDO-4 sold separately)

Dimensions: 34" H x 11.6" W x 23"D
(86.4cm H x 29.5cm W x 58.4cm D)

Features

Iced Tea Brewer

- Brews 16.3 to 26.7 gallons (61.7 to 101.1 liters) per hour from real tea leaves.
- Brews directly into any style portable server.
- Meet your volume needs; brew 3 gallons (11.36 liters) of iced tea at a time.
- Quickbrew (Q) models available for shorter brewing cycles.
- SplashGard® funnel deflects hot liquids away from the hand.
- TB3 has adjustable steep time for more control over flavor extraction.
- International electrical configurations available.

For current specification sheets and other information, go to www.bunn.com.

* International models may vary in appearance.

Related Products

Easy Clear® ED-12-HB

Product No. : 34141.0000

Dimensions:

23³/₈" H x 6" W x 7³/₈" D

59.4 cm H x 15.2 cm W x 18.7 cm D



Easy Clear® ED-HB-2

20" Replacement Cartridge

Product No. : 34134.0000

Single/Dual Filter Pack

Product No. : 20100.0000

Packed per case: 500

Dimensions: 5¹/₄" Base x 3³/₄" Sidewall

13.34 cm Base x 9.52 cm Sidewall



TDO-4 – Tea Dispenser

Product No. : 34100.0002

Capacity: 4 gallons

Weight: 13 lbs. (5.9 kg)

Dimensions:

19" H x 10.7" W x 13.7" D

48.26 cm H x 27.18 cm W x 34.8 cm D



TD4T – Tea Dispenser

Product No. : 03250.0004

Capacity: 4 gallons

Weight: 14 lbs. (6.8 kg)

Dimensions:

21.9" H x 9" W x 13" D

55.63 cm H x 22.86 cm W x 33.02 cm D



TDS-3.0 – Tea Dispenser

Product No. : 33000.0000

Capacity: 3.0 gallons

Weight: 9.4 lbs. (4.3 kg)

Dimensions:

19"H x 9.8"W x 12.8"D

(48.3cm H x 24.9cm W x 32.5cm D)



Translucent Pouchpack Tea Funnel

Quick dispense, TU-3Q

Product No. : 35282.0001

Standard dispense, TU-3

Product No. : 35282.0002



Model	Agency Listing	International Model	Agency Listing
TB3Q	UL NSF	TB3A	CE
TB3	UL NSF	TB3QA	CE

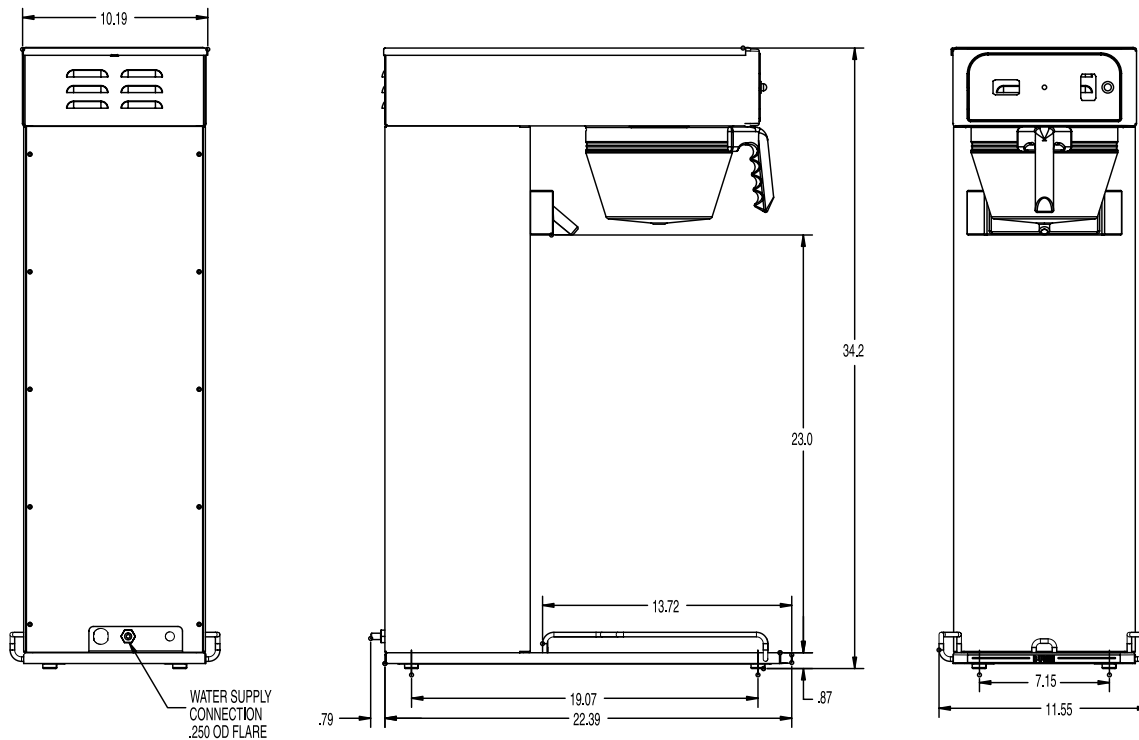
Dimensions & Specifications

Model	Product #	Volts	Amps	Tank Heater Watts	Total Watts	Brewing Capacity	Cu. Ft.	Shipping Weight	Cord Attached
TB3 ¹	36700.0009	120	14.8	1680	1780	16.3 gal./hr.	7.3	43 lbs. (19.5 kg)	Yes [†]
TB3Q ¹	36700.0013	120	14.8	1680	1780	26.7 gal./hr.	7.3	42 lbs. (19.1 kg)	Yes [†]
TB3	36700.0030	120	14.8	1680	1780	16.3 gal./hr.	7.3	43 lbs. (19.5 kg)	Yes [†]
TB3Q ¹ w/TD4T	36700.0041	120	14.8	1680	1780	26.7 gal./hr.	9.1	54 lbs. (24.5 kg)	Yes [†]
TB3 ¹ ²	36700.0055	120	14.8	1680	1780	16.3 gal./hr.	7.3	43 lbs. (19.5 kg)	Yes [†]
TB3	36700.0059	120	14.8	1680	1780	16.3 gal./hr.	7.3	43 lbs. (19.5 kg)	Yes [†]
TB3Q ¹ ³	36700.0076	120	14.8	1680	1780	26.7 gal./hr.	7.3	42 lbs. (19.1 kg)	Yes [†]

¹Quick disconnect. ²29" trunk height ³Has ready light [†]Power cord (NEMA 5-15P) 15 Amp-120V machine only.

Electrical: Models require 2-wires plus ground service rated at 120V, single phase, 60 Hz.

Plumbing: 20-90 psi (138-621 kPa). Machine supplied with 1/4" (6.3 mm) OD male flare fitting.



BUNN Corporation - 1400 Stevenson Drive Springfield, Illinois 62703 • 800-637-8606 • 217-529-6601 • Fax 217-529-6644 • www.bunn.com

BUNN® practices continuous product research and improvement. We reserve the right to change specifications and product design without notice. Such revisions do not entitle the buyer to corresponding changes, improvements, additions or replacements for previously purchased equipment.

All dimensions shown in inches. Bunn Corporation owns all copyrights relating to materials in this publication. Please contact Bunn Corporation to request permission to reproduce any portion of this publication.